

Canada Gazette



Gazette du Canada

Part I

Partie I

OTTAWA, SATURDAY, MAY 1, 2004

OTTAWA, LE SAMEDI 1^{er} MAI 2004

NOTICE TO READERS

The *Canada Gazette* is published under authority of the *Statutory Instruments Act*. It consists of three parts as described below:

- Part I Material required by federal statute or regulation to be published in the *Canada Gazette* other than items identified for Parts II and III below — Published every Saturday
- Part II Statutory Instruments (Regulations) and other classes of statutory instruments and documents — Published January 14, 2004, and at least every second Wednesday thereafter
- Part III Public Acts of Parliament and their enactment proclamations — Published as soon as is reasonably practicable after Royal Assent

The *Canada Gazette* is available in most public libraries for consultation.

To subscribe to, or obtain copies of, the *Canada Gazette*, contact bookstores selling Government publications as listed in the telephone directory or write to Government of Canada Publications, Public Works and Government Services Canada, Ottawa, Canada K1A 1M4.

The *Canada Gazette* is also available free of charge on the Internet at <http://canadagazette.gc.ca>. It is accessible in Portable Document Format (PDF) and in HyperText Mark-up Language (HTML) as the alternate format. The on-line PDF format of Parts I, II and III is official since April 1, 2003, and will be published simultaneously with the printed copy.

AVIS AU LECTEUR

La *Gazette du Canada* est publiée conformément aux dispositions de la *Loi sur les textes réglementaires*. Elle est composée des trois parties suivantes :

- Partie I Textes devant être publiés dans la *Gazette du Canada* conformément aux exigences d'une loi fédérale ou d'un règlement fédéral et qui ne satisfont pas aux critères des Parties II et III — Publiée le samedi
- Partie II Textes réglementaires (Règlements) et autres catégories de textes réglementaires et de documents — Publiée le 14 janvier 2004 et au moins tous les deux mercredis par la suite
- Partie III Lois d'intérêt public du Parlement et les proclamations énonçant leur entrée en vigueur — Publiée aussitôt que possible après la sanction royale

On peut consulter la *Gazette du Canada* dans la plupart des bibliothèques publiques.

On peut s'abonner à la *Gazette du Canada* ou en obtenir des exemplaires en s'adressant aux agents libraires associés énumérés dans l'annuaire téléphonique ou en s'adressant à : Publications du gouvernement du Canada, Travaux publics et Services gouvernementaux Canada, Ottawa, Canada K1A 1M4.

La *Gazette du Canada* est aussi offerte gratuitement sur Internet au <http://gazetteducanada.gc.ca>. La publication y est accessible en format de document portable (PDF) et en langage hypertexte (HTML) comme média substitut. Le format PDF en direct des parties I, II et III est officiel depuis le 1^{er} avril 2003 et sera publié en même temps que la copie imprimée.

<i>Canada Gazette</i>	<i>Part I</i>	<i>Part II</i>	<i>Part III</i>
Yearly subscription			
Canada	\$135.00	\$67.50	\$28.50
Outside Canada	US\$135.00	US\$67.50	US\$28.50
Per copy			
Canada	\$2.95	\$3.50	\$4.50
Outside Canada	US\$2.95	US\$3.50	US\$4.50

<i>Gazette du Canada</i>	<i>Partie I</i>	<i>Partie II</i>	<i>Partie III</i>
Abonnement annuel			
Canada	135,00 \$	67,50 \$	28,50 \$
Extérieur du Canada	135,00 \$US	67,50 \$US	28,50 \$US
Exemplaire			
Canada	2,95 \$	3,50 \$	4,50 \$
Extérieur du Canada	2,95 \$US	3,50 \$US	4,50 \$US

REQUESTS FOR INSERTION

Requests for insertion should be directed to the Canada Gazette Directorate, Public Works and Government Services Canada, 350 Albert Street, 5th Floor, Ottawa, Ontario K1A 1M4, (613) 996-2495 (telephone), (613) 991-3540 (facsimile).

Bilingual texts received as late as six working days before the desired Saturday's date of publication will, if time and other resources permit, be scheduled for publication that date.

Each client will receive a free copy of the *Canada Gazette* for every week during which a notice is published.

DEMANDES D'INSERTION

Les demandes d'insertion doivent être envoyées à la Direction de la Gazette du Canada, Travaux publics et Services gouvernementaux Canada, 350, rue Albert, 5^e étage, Ottawa (Ontario) K1A 1M4, (613) 996-2495 (téléphone), (613) 991-3540 (télécopieur).

Un texte bilingue reçu au plus tard six jours ouvrables avant la date de parution demandée paraîtra, le temps et autres ressources le permettant, le samedi visé.

Pour chaque semaine de parution d'un avis, le client recevra un exemplaire gratuit de la *Gazette du Canada*.

TABLE OF CONTENTS

Vol. 138, No. 18 — May 1, 2004

Government House	1300
(orders, decorations and medals)	
Government Notices	1304
Appointments.....	1316
Parliament *	
House of Commons	1329
Bills assented to	1329
Chief Electoral Officer.....	1329
Commissions	1331
(agencies, boards and commissions)	
Miscellaneous Notices	1342
(banks; mortgage, loan, investment, insurance and railway companies; other private sector agents)	
Proposed Regulations	1354
(including amendments to existing regulations)	
Index	1409
Supplements	
Copyright Board	

TABLE DES MATIÈRES

Vol. 138, n^o 18 — Le 1^{er} mai 2004

Résidence du Gouverneur général	1300
(ordres, décorations et médailles)	
Avis du Gouvernement	1304
Nominations.....	1316
Parlement *	
Chambre des communes	1329
Projets de loi sanctionnés.....	1329
Directeur général des élections	1329
Commissions	1331
(organismes, conseils et commissions)	
Avis divers	1342
(banques; sociétés de prêts, de fiducie et d'investissements; compagnies d'assurances et de chemins de fer; autres agents du secteur privé)	
Règlements projetés	1354
(y compris les modifications aux règlements existants)	
Index	1411
Suppléments	
Commission du droit d'auteur	

* Notices are not listed alphabetically in the Index.

* Les avis ne sont pas énumérés alphabétiquement dans l'index.

GOVERNMENT HOUSE**MOST VENERABLE ORDER OF THE HOSPITAL OF ST. JOHN OF JERUSALEM**

The Governor General, the Right Honourable ADRIENNE CLARKSON, on the recommendation of the Grand Prior, has appointed the following Canadians to the Most Venerable Order of the Hospital of St. John of Jerusalem:

*Knights and Dames of the Order of St. John**Chevaliers et Dames de l'Ordre de Saint-Jean**Promotions*

Frederick Eugene Boles, Quispamsis, NB
Edgar Linton Brown, Saskatoon, SK
Sidney A. Crow, Welland, ON
André Gingras, Westmount, QC
James C. Hartley, Edmonton, AB (deceased/décédé)
Jean-Guy Madore, Rivière-Ouelle, QC

RÉSIDENCE DU GOUVERNEUR GÉNÉRAL**ORDRE TRÈS VÉNÉRABLE DE L'HÔPITAL DE SAINT-JEAN DE JÉRUSALEM**

La Gouverneure générale, la très honorable ADRIENNE CLARKSON, selon les recommandations du Grand Prieur, a nommé les Canadiens dont les noms suivent à l'Ordre très vénérable de l'Hôpital de Saint-Jean de Jérusalem :

Peter Prescott, Nanaimo, BC
Virginia G. Shyluk, Calgary, AB
Anne Marie Stewart, Vancouver, BC
Mary Walters, Regina, SK
Lillian M. Waters, Belleville, ON
Gordon Yuen, Vancouver, BC

*Commanders of the Order of St. John**Commandeurs de l'Ordre de Saint-Jean*

The Honourable/L'honorable Ian John Cable, Whitehorse, YT

*Commanders of the Order of St. John**Commandeurs de l'Ordre de Saint-Jean**Promotions*

Lieutenant-Colonel/Lieutenant-colonel Raynald Arsenault, C.D., Laval, QC
Sergeant/Sergent Keith Atkinson, Saskatoon, SK
Colin Borden Bachynski, Regina, SK
Lisette Beaudoin, Châteauguay, QC
Commander/Capitaine de frégate Sylvain Bissonnette, Montréal-Nord, QC
Charles Robert Bowles, Calgary, AB
F. Richard Bruce, Brandon, MB
Alex Wang Tat Chan, Burnaby, BC
Kin-shing Cheng, Scarborough, ON
Lesley Chipperfield, Fredericton, NB
David William Curry, Nepean, ON
Anne Dean, Brampton, ON
Yollande Desrosiers, Sainte-Julie, QC
Eileen Marie Doyle, Regina, SK
Colonel/Colonel James Forsyth, C.D., Burlington, ON
Tillie Cecilia Geiger, Moose Jaw, SK
Lieutenant-Colonel/Lieutenant-colonel John Desmond Gibson, C.D., A.D.C., Toronto, ON
Joyce Rose Hart, Botwood, NL
John Edward James-Davies, Calgary, AB

Ronald A. Johnson, Thunder Bay, ON
Charles Keating, C.M., Dartmouth, NS
Patsy Lebel, Sudbury, ON
Ronald Lidster, St. Thomas, ON
Robert William Linton, Brampton, ON
Evelyn Malina, Grande Prairie, AB
Brian Edward Maxwell, C.D., London, ON
James Allison Northrup, C.D., Dartmouth, NS
Patrick J. O'Donoghue, Calgary, AB
Kenneth William Opheim, Saskatchewan, SK
Gerald W. Robar, Brampton, ON
Gwendolyn Grace Seed, Regina, SK
Patrick Kenneth Sherling, Regina, SK
Donald Clare Stephen, St. Marys, ON
Hélène Tanguay, Saint-Georges, QC
Michael C. Thibbidao, Eastern Passage, NS
Lina Turbis, Sept-Îles, QC
Mary Elizabeth Stella Ward, Red Bank, NB
Geoffrey Leonard Wybrev, Hamilton, ON
Commander/Capitaine de frégate Giuliano Zaccardelli, C.O.M., Ottawa, ON

*Officers of the Order of St. John**Officiers de l'Ordre de Saint-Jean*

Leon R. McKergow, Caledon East, ON

*Officers of the Order of St. John**Officiers de l'Ordre de Saint-Jean**Promotions*

Chief/Chef Ean Algar, Oakville, ON	Terrance Allan Lohse, Calgary, AB
Colonel/Colonel Stephen B. Anema, C.D., Winnipeg, MB	Sheldon Lucas Longeau, Burnaby, BC
Linda Armstrong, Barrie, ON	Major (Ret'd)/Major (retraité) Sean MacNamara, C.D., Sault Ste. Marie, ON
Mairi Christina Arthur, Bedford, NS	Carolyn Gale Martin, Georgetown, ON
Hilbert Harry Barry, Beaver Harbour, NB	Sergeant/Sergent A. Scott McMillan, Swift Current, SK
France Bendickson, Campbell River, BC	Belinda M. Mitchell, Regina, SK
Gertrude Bolduc, Saint-Victor, QC	Lieutenant-Colonel/Lieutenant-colonel Stéphane Mohanna, C.D., Ottawa, ON
Gilbert Boulet, Montmagny, QC	Lieutenant-Colonel/Lieutenant-colonel Hugh P. Mundell, C.D., Ottawa, ON
Michael Warren Brodnicki, Borden, ON	Chief Warrant Officer/Adjudant-chef Robert Pageau, M.M.M., C.D., Sainte-Anne-des-Plaines, QC
Brian A. J. Chaput, Carvel, AB	Commander/Capitaine de frégate Colin W. Plows, C.D., Orléans, ON
Walter W. Charlton, Prince George, BC	James Reid, Carleton Place, ON
Joan L. Comeau, Campbell River, BC	Howard Berlind Ripstein, Montréal, QC
David M. Cook, C.D., Cobourg, ON (deceased/décédé)	David Rogutski, Edmonton, AB
Julie Côté, Berthierville, QC	Valarie Jean Rudolph, Prince George, BC
Carlos Davila, Pointe-Claire, QC	Thomas William Ryan, Conception Bay South, NL
Thomas J. Dwyer, Brantford, ON	Harold James Sager, Paris, ON
Russell George Eberle, Regina, SK	Yves Salesse, Jonquière, QC
Chief Constable/Constable en chef Derek Charles Egan, C.D., Victoria, BC	Henry Smadella, Lorette, MB
Angel Ellens, Ottawa, ON	Donald Thomas Smylie, Brockville, ON
Lieutenant-Colonel/Lieutenant-colonel John Anthony Evanoff, Burlington, ON	Kevin Michael Smyth, Calgary, AB
Corporal/Caporal Herbert Charles Ferguson, C.D., Eastern Passage, NS	Adrian Joseph St-Croix, Paradise, NL
Fraser Allan Fisher, Winnipeg, MB	Captain(N)/Capitaine de vaisseau Bruce A. Stoddart, O.M.M., C.D., Bridgewater, NS
Norman Fong, Toronto, ON	Perry B. Tremblay, Red Deer, AB
Adéline Gagné, Sept-Îles, QC	Gary S. Tuff, Gander, NL
Sergeant/Sergent John Bernard Harmer, Regina, SK	The Honourable Colonel/L'honorable Colonel Robert Harold Vandewater, Winnipeg, MB
Marilyn Grant Herber, C.D., Kentville, NS	Gilles Villemure, Longueuil, QC
Patricia E. Hornsby, Sydney Mines, NS	Corporal (Ret'd)/Caporal (retraité) Alvin Reginald Windley, C.D., Calgary, AB
Brent Donald Johnson, Calgary, AB	Hilary Tak Chun Wong, Vancouver, BC
Sergeant/Sergent Gregory Kenneth Johnson, C.D., Halifax, NS	Arnold Uve Ziemann, Edmonton, AB
Teresa K. Kwong, Calgary, AB	
Deputy Chief/Sous-chef Douglas Gordon Labron, Brockville, ON	
Suzie Lafrenière, Matagami, QC	
Jim Yuan Lai, Toronto, ON	
Kim Juanita Laing, Monarch, AB	

*Serving Members of the Order of St. John**Membres Servants de l'Ordre de Saint-Jean*

Margaret Abbott, Barrie, ON	Denise Lynn Brydon, Brampton, ON
Katherine Jane S. Anema, Winnipeg, MB	Vice-Admiral/Vice-amiral Ron Buck, Noth Gower, ON
Robert Charles Austen-Jones, Calgary, AB	Michael Bull, Ingersoll, ON
Kevin Richard Beard, Middleton, NS	Stan Burton, Winnipeg, MB
Sylvie Beaulieu, Saint-Hubert-de-Témiscouata, QC	Corporal/Caporal James Gregory Butler, Oromocto, NB
Kenneth Belfountain, Kentville, NS	Donna Darlene Cameron, Summerside, PE
Lieutenant-Colonel/Lieutenant-colonel David B. Bianco, Newboro, ON	Kenneth W. Campbell, Dartmouth, NS
André Bilodeau, Chicoutimi, QC	Mario Cardinal, Jonquière, QC
Nicole Marie Bird, Amherst, NS	Jean-Paul Castonguay, Sainte-Louise, QC
Brian Blais, St. Catharines, ON	Marc Chabot, C.D., Gatineau, QC
France Borgia, Saint-Joseph-du-Lac, QC	Karine Chalifour, Montréal-Nord, QC
Assistant Commissioner/Commissaire adjoint Pierre-Yves Bourduas, Boisbriand, QC	Marjorie Chapman, Milford Bay, ON
Magnus K. Breitling, Calgary, AB	Ernest Chow, Oakville, ON
Belva Brown, Doaktown, NB	Captain/Capitaine Robert F. Clarke, Montréal West, QC
Tim Brown, Chipman, NB	Margaret Clarke, Winnipeg, MB
	Robert Charles Cooper, Red Deer, AB
	Curtis J. Corbin, Fort McMurray, AB

*Serving Members of the Order of St. John**Membres Servants de l'Ordre de Saint-Jean*

- Lyne Corneau, Aylmer, QC
 Nevison E. J. Crockett, Kingston, ON
 Christine Cross, Lumby, BC
 Caroline Cyr, Châteauguay, QC
 Isabel M. Darris, Kentville, NS
 Harry Day, St. Thomas, ON
 Sister/Sœur Patricia Marie Decker, St. John's, NL
 Major/Major Michel Deilgat, Orléans, ON
 Jack Delcourt, Barrie, ON
 Nicholas Dion, Saint-Hubert, QC
 Lynda Darlene Dortman, Kamloops, BC
 Charles Douthwaite, Dartmouth, NS
 Robert P. Doyle, Gloucester, ON
 The Honourable Mr. Justice/L'honorable juge Randall Scott
 Echlin, Toronto, ON
 Marilyn Joan Evans, Taymouth, NB
 Lieutenant(N)/Lieutenant de vaisseau Peter B. Ferst,
 Westmount, QC
 Superintendent/Surintendant Gordon L. Finck, Gloucester, ON
 Major/Major Marie Hélène Gisèle Fontaine, Orléans, ON
 Major/Major Jean-Robert Gagnon, C.D., Gatineau, QC
 Marie-Andrée Gareau, L'Île-Bizard, QC
 Rosaire Gaudreault, Saint-Benoît-Labre, QC
 Serge P. J. Gauthier, Nepean, ON
 Lise Gendron, Gatineau, QC
 Femie E. M. Gibson, Mission, BC
 Kent Ginther, Dundae, ON
 Lionel Goffart, Toronto, ON
 Petty Officer 1st Class/Maître de 1^{re} classe Joseph Yvan Claude
 Stéphane Guay, Lévis, QC
 Camille Guérin, Orléans, ON
 Rick Hack, Regina, SK
 Sandra Hall, Georgetown, ON
 Lieutenant-Commander/Capitaine de corvette Moyra Haney,
 Toronto, ON
 Juanita M. Hanney, Barrie, ON
 Eileen F. Harvie, Wellington, NS
 Melvin G. Hazlewood, St. Marys, ON
 Sergeant/Sergent Ronald Michael James Heffernan, Borden, ON
 Alana Lynn Hicik, Kelowna, BC
 Dale Johnson Hicks, Allison, NB
 Ellen E. Hook, Woodstock, ON
 David Howe, Paradise, NL
 Robert David Boyce Howland, Sidney, BC
 Scott Douglas Hoyt, Coles Island, NB
 Erica Huynh, Vancouver, BC
 Lana H. Hynes, Charlottetown, PE
 Captain/Capitaine Penny-Lee Irish, Jasper, ON
 Dharmvir Singh Jaswal, Duncan, BC
 Sergeant/Sergent Gervais Jeffrey, Rockland, ON
 Larry Edmund Jones, Port Hope, ON
 Cynthia C. Jones, Port Hope, ON
 Warrant Officer/Adjudant Wayne A. Jure, Yellowknife, NT
 Susan Margaret Kathler, Winnipeg, MB
 Wajahat Khan, Halifax, NS
 Dorothy Kay Kirkwood, Georgetown, ON
 Malcolm Lee Knowlton, Magog, QC (deceased/décédé)
 Captain/Capitaine Victor M. Knowlton, Pierrefonds, QC
 Christopher Korwin-Kucznski, Toronto, ON
 Melissa Elaine Kostrzycki, Surrey, BC
 Jacques Lagacé, Saint-Hubert-Rivière-du-Loup, QC
 Conrad Landry, Moncton, NB
 Yvon Lapierre, Île-de-la-Madeleine, QC
 François Lapierre, Île-de-la-Madeleine, QC
 Jacques Larouche, Alma, QC
 Elaine Lau, Richmond, BC
 Richard Lauzière, Sainte-Julienne, QC
 Diane Lavoie, Squatec, QC
 Colonel/Colonel Thomas Charles Ray Lawson, London, ON
 Brian Kendall Lee, Victoria, BC
 Ronald Lefebvre, Gatineau, QC
 John Stewart LeForte, Bras d'Or, NS
 Marcel Légaré, Rouyn-Noranda, QC
 Chief Superintendent/Surintendant-chef Jean-Jacques Lemay,
 Ottawa, ON
 Rick Maxwell Lewis, Prince George, BC
 Jennifer J. Libbey, Maple Ridge, BC
 Andrew Ka Ho Ling, Mississauga, ON
 Master-Corporal/Caporal-chef Darren John Longstaff,
 Gibbons, AB
 Captain/Capitaine Alec David Luker, North Sydney, NS
 Sheile Jane Mallari, Surrey, BC
 Tyler D. A. Mancuso, Sault Ste. Marie, ON
 Lieutenant-Colonel (Ret'd)/Lieutenant-colonel (retraité)
 Douglas Richard Marchment, Lacomb, AB
 Thérèse Marin, Ottawa, ON
 Kevin Michael Marsden, Saint John, NB
 Michael Luke Martin, Lincoln, NB
 Nancy Diane Mattinson, Kingston, NS
 William T. McBride, Hamilton, ON
 Diane McEwan, Hamilton, ON
 Larry Gene McGill, St. Marys, ON
 Ronald McKee, Don Mills, ON
 Ian Alexander McKinnon, Kitchener, ON
 Lieutenant-Colonel/Lieutenant-colonel Robert T. McLachlan,
 Dollard-des-Ormeaux, QC
 Jody McNamara, Hampton, NB
 Richard Andrew Medaris, Maple Ridge, BC
 Elizabeth Medeiros, Oakville, ON
 Thérèse Michaud, Rivière-Bleue, QC
 Carolyn Elaine Milne, Beeton, ON
 R. Tait Mitchell, Guelph, ON
 Isabelle Montpetit, Boucherville, QC
 Herbert Chung Wai Moon, Scarborough, ON
 Ronald Brian Moore, Edmonton, AB
 Johanne Morin, Rivière-Ouelle, QC
 David C. Morse, Kingston, ON
 Douglas Myhre, Lethbridge, AB
 Gordon Neill, Regina, AB
 Lee J. Nicol, Bathurst, NB
 Francine Normand, Montréal, QC
 Frederick L. C. Noseworthy, Cambridge, ON
 Ignazio Oliveri, Montréal QC
 Brian James Patterson, Newmarket, ON
 William R. Patton, Edmonton, AB
 Shirley Margaret Peckham, Wallaceburg, ON
 Antonio Pergola, Toronto, ON
 Florent Portron, Longueuil, QC
 The Honourable/L'honorable Marie-P. Poulin, Ottawa, ON
 Dawn Powell, Kelowna, BC
 Heather K. Puddington, Lower Sackville, NS
 Richard Quesnel, Yarmouth, NS
 Warrant Officer/Adjudant Michael R. Rarog, Yellowknife, NT
 Margaret M. Rayworth, Amherst, NS
 Captain/Capitaine Brian J. Reid, Kingston, ON

*Serving Members of the Order of St. John**Membres Servants de l'Ordre de Saint-Jean*

Carrie L. Richardson, Woodstock, NB	Martine Trahan, Charlemagne, QC
Dany Robert, Saint-Hyacinthe, QC	Daryl Trott, Hamilton, ON
Thérèse Robichaud, Biencourt, QC	Claude Turgeon, Victoriaville, QC
Ruth M. Robinson, Halifax, NS	Myriam Ujakovic, Barrie, ON
Zoe Ross, Stratford, ON	Nicole Van Edig, Rigaud, QC
Honorius Roy, Saint-Honoré, QC	Danielle Veilleux, Beauceville, QC
Lévis Roy, Saint-Honoré-de-Témiscouata, QC	Caroline Verreault, Québec, QC
Micheal E. Rumble, St. Marys, ON	Barbara Irene Vidito, Dartmouth, NS
Anne-Marie Sabbagh, Dollard-des-Ormeaux, QC	Louis Peter Visentin, Brandon, MB
Warrant Officer/Adjutant Steven Sandahl, Vancouver, BC	John Volken, West Vancouver, BC
Lieutenant-Colonel/Lieutenant-colonel Dale G. Schott, Orléans, ON	Todd Waern, Sudbury, ON
Ingrid Séide, Montréal-Nord, QC	Michael Wakshinski, Winnipeg, MB
Dorian E. Sherman, Winnipeg, MB	Tara L. Watson, Jacksonville, NB
Jane M. Sievenpiper, North Sydney, NS	Terrance Weir, Lorette, MB
Teresa A. Sigurdson, Winnipeg, MB	Chief/Chef Katherine Whitecloud, Griswold, MB
Kelly Sittler, Cambridge, ON	Robert Glynn Williams, North Bay, ON
Gordon Siu, London, ON	Dayle E. Wilson, Maccan, NS
Sue A. Smith, Forest Glen, NB	Reverend/Révérend Ian S. Wishart, St. John's, NL
Ramona J. Snyders, Belmont, ON	Shirley Wittin, Winnipeg, MB
Ellen Y. So, Scarborough, ON	Larry Wong, Saskatoon, SK
Wolfgang Struss, London, ON	Alan Yan Ho Wong, Richmond Hill, ON
Michael Thomas Yuko Sugimoto, Victoria, BC	Letty Wong, Toronto, ON
Dana Leanne Swanston, Burlington, ON	Steve Woo, Burnaby, BC
Robert Tarlek, Lethbridge, AB	Patrick Wood, Saint-Jean-sur-Richelieu, QC
Wendy Taylor, Bognor, ON	Robert Montgomery Wynn, Delta, BC
M. Sharon Thomas, London, ON	Melissa Ying, Ingersoll, ON
Helen Margaret Thomas, Calgary, AB	Gregory Young, Hudson, QC
Frank L. Thompson, Brandon, MB	Gardiner Leslie Young, Sydney, NS
Camille Toupin, Saint-Cuthbert, QC	Barbara Brunner Zaharescu, Montréal, QC
Moïse Tousignant, Trois-Rivière, QC	Valérie Zaphiratos, Montréal, QC
	Adam Zilliax, Pitt Meadows, BC

*Esquires of the Order of St. John**Écuyers de l'Ordre de Saint-Jean*

Dominic Duchesneau, Ottawa, ON
Alphée Roche-Noël, Saint-Martin, Paris, France

As of the eighteenth day of December
of the year two thousand and three

LGÉN (Ret'd) JAMES C. GERVAIS, C.M.M., C.D.
Deputy Secretary

[18-1-o]

En vigueur le dix-huitième jour de décembre
de l'an deux mille trois

Le sous-secrétaire
LGÉN (retraité) JAMES C. GERVAIS, C.M.M., C.D.

[18-1-o]

GOVERNMENT NOTICES**DEPARTMENT OF THE ENVIRONMENT**

CANADIAN ENVIRONMENTAL PROTECTION ACT, 1999

Notice is hereby given that, pursuant to the provisions of Part 7, Division 3, of the *Canadian Environmental Protection Act, 1999*, Permit No. 4543-2-03332 is approved.

1. *Permittee*: Jack Cewe Ltd., Coquitlam, British Columbia.
2. *Type of Permit*: To load or dispose of inert, inorganic geological matter.
3. *Term of Permit*: Permit is valid from May 31, 2004, to May 30, 2005.
4. *Loading Site(s)*: Treat Creek, Jervis Inlet, British Columbia: 49°49.00' N, 123°53.00' W.
5. *Disposal Site(s)*: Malaspina Strait Disposal Site: 49°45.00' N, 124°27.00' W, at a depth of not less than 320 m.

The following position-fixing procedures must be followed to ensure disposal at the designated disposal site:

- (i) The vessel must inform the appropriate Marine Communications and Traffic Services (MCTS) Centre upon departure from the loading site that it is heading for a disposal site;
- (ii) Upon arrival at a disposal site and prior to disposal, the vessel must again call the appropriate MCTS Centre to confirm its position. Disposal can proceed if the vessel is on the disposal site. If the vessel is not within the disposal site boundaries, the MCTS Centre will advise of the bearing and distance to the site and advise that disposal can proceed; and
- (iii) The vessel must inform the appropriate MCTS Centre when disposal has been completed, prior to leaving the disposal site.

6. *Route to Disposal Site(s)*: Direct.
7. *Method of Loading and Disposal*: Loading with conveyor belts or trucks and disposal by bottom dump scow or end dumping.
8. *Rate of Disposal*: As required by normal operations.
9. *Total Quantity to Be Disposed of*: Not to exceed 12 000 m³.
10. *Waste and Other Matter to Be Disposed of*: Inert, inorganic geological matter composed of clay, silt, sand, gravel, rock and other material typical to the excavation site. All wood, topsoil, asphalt and other debris are to be segregated for disposal by methods other than disposal at sea.

11. Requirements and Restrictions:

11.1. The Permittee must notify the permit-issuing office before commencement of the project as to the dates on which the loading and ocean disposal will occur.

11.2. The Permittee must ensure that all contractors involved in the loading or disposal activity for which the permit is issued are made aware of any restrictions or conditions identified in the permit and of the possible consequences of any violation of these conditions. A copy of the permit and of the letter of transmittal must be displayed at the loading site and carried on all towing vessels and loading platforms or equipment involved in disposal at sea activities.

AVIS DU GOUVERNEMENT**MINISTÈRE DE L'ENVIRONNEMENT**

LOI CANADIENNE SUR LA PROTECTION DE L'ENVIRONNEMENT (1999)

Avis est par les présentes donné que le permis n° 4543-2-03332 est approuvé conformément aux dispositions de la partie 7, section 3, de la *Loi canadienne sur la protection de l'environnement (1999)*.

1. *Titulaire* : Jack Cewe Ltd., Coquitlam (Colombie-Britannique).
2. *Type de permis* : Permis de charger ou d'immerger des matières géologiques inertes et inorganiques.
3. *Durée du permis* : Le permis est valide du 31 mai 2004 au 30 mai 2005.
4. *Lieu(x) de chargement* : Ruisseau Treat, passage Jervis (Colombie-Britannique) : 49°49,00' N., 123°53,00' O.
5. *Lieu(x) d'immersion* : Lieu d'immersion du détroit de Malaspina : 49°45,00' N., 124°27,00' O., à une profondeur minimale de 320 m.

Pour assurer le déversement de la charge à l'endroit désigné, on doit établir la position du navire en suivant les procédures indiquées ci-dessous :

- (i) Le Centre des Services de communications et de trafic maritimes (Centre SCTM) approprié doit être informé du départ du navire du lieu de chargement en direction d'un lieu d'immersion;
- (ii) Lorsque le navire est arrivé au lieu d'immersion et avant le déversement de la charge, on doit de nouveau communiquer avec le Centre SCTM pour confirmer la position du navire. Si le navire est dans la zone d'immersion, on peut procéder au déversement et s'il est en dehors de la zone, le Centre SCTM l'y dirige et lui indique quand commencer les opérations;
- (iii) Le Centre SCTM doit être avisé de la fin du déchargement avant le départ du navire du lieu d'immersion.

6. *Parcours à suivre* : Direct.
7. *Mode de chargement et d'immersion* : Chargement à l'aide de tapis roulants ou de camions et immersion à l'aide d'un chaland à bascule ou à clapets.
8. *Quantité proportionnelle à immerger* : Selon les opérations normales.
9. *Quantité totale à immerger* : Maximum de 12 000 m³.
10. *Déchets et autres matières à immerger* : Matières géologiques inertes et inorganiques composées d'argile, de limon, de sable, de gravier, de roches et d'autres matières caractéristiques du lieu d'excavation. Tous les déchets de bois, de terre végétale, d'asphalte et autres déchets doivent être séparés en vue de leur élimination par des méthodes autres que l'immersion en mer.

11. Exigences et restrictions :

11.1. Avant toute activité de chargement ou d'immersion, le titulaire doit aviser le bureau émetteur des dates prévues de chargement et d'immersion en mer.

11.2. Le titulaire doit s'assurer que tous les entrepreneurs qui prennent part aux opérations de chargement et d'immersion pour lesquelles le permis a été accordé sont au courant des restrictions et des conditions mentionnées dans le permis ainsi que des conséquences possibles du non-respect de ces conditions. Une copie du permis et de la lettre d'envoi doivent se trouver au lieu de chargement et à bord de tous les bateaux-remorques et de toutes les plates-formes munies de dragues à benne preneuse servant aux opérations de dragage et d'immersion en mer.

11.3. The fee prescribed by the *Ocean Dumping Permit Fee Regulations (Site Monitoring)* shall be paid by the Permittee in accordance with those Regulations.

11.4. Contact must be made with the Canadian Coast Guard, Regional Marine Information Centre, regarding the issuance of a "Notice to Shipping." The Permittee should contact the Regional Marine Information Centre, 2380-555 West Hastings Street, Vancouver, British Columbia V6B 5G3, (604) 666-6012 (telephone), (604) 666-8453 (facsimile), RMIC-PACIFIC@PAC.DFO-MPO.GC.CA (electronic mail).

11.5. Any enforcement officer designated pursuant to subsection 217(1) of the *Canadian Environmental Protection Act, 1999*, shall be permitted to mount an electronic tracking device on any vessel that is engaged in the disposal at sea activities authorized by this permit. The Permittee shall take all reasonable measures to ensure that there is no tampering with the tracking device and no interference with its operation. The tracking device shall be removed only by an enforcement officer or by a person with the written consent of an enforcement officer.

11.6. The Permittee must submit to the Regional Director, Environmental Protection Branch, within 30 days of the expiry of the permit, a list of all work completed pursuant to the permit, including the nature and quantity of material disposed of and the dates on which the activity occurred.

M. NASSICHUK
Environmental Protection
Pacific and Yukon Region

[18-1-o]

11.3. Le titulaire doit payer le droit prescrit en vertu de la *Règlement sur les prix à payer pour les permis d'immersion en mer (surveillance des sites)*.

11.4. Le titulaire doit communiquer avec la Garde côtière canadienne, Centre régional d'information maritime, au sujet de la délivrance d'un « Avis à la navigation ». Le Centre régional d'information maritime est situé au 555, rue Hastings Ouest, Pièce 2380, Vancouver (Colombie-Britannique) V6B 5G3, (604) 666-6012 (téléphone), (604) 666-8453 (télécopieur), RMIC-PACIFIC@PAC.DFO-MPO.GC.CA (courrier électronique).

11.5. Il est permis à un agent de l'autorité désigné en vertu du paragraphe 217(1) de la *Loi canadienne sur la protection de l'environnement (1999)* d'installer un dispositif de surveillance électronique sur tout navire qui participe aux activités de chargement et d'immersion en mer autorisées par le présent permis. Le titulaire doit prendre toutes les mesures raisonnables pour s'assurer que ni le dispositif ni son fonctionnement ne seront altérés. Le dispositif ne peut être enlevé qu'avec le consentement écrit de l'agent de l'autorité ou par l'agent de l'autorité lui-même.

11.6. Le titulaire doit présenter au directeur régional, Direction de la protection de l'environnement, dans les 30 jours suivant la date d'expiration du permis, une liste des travaux achevés conformément au permis indiquant la nature et la quantité de matières immergées ainsi que les dates auxquelles l'activité a eu lieu.

Protection de l'environnement
Région du Pacifique et du Yukon
M. NASSICHUK

[18-1-o]

DEPARTMENT OF THE ENVIRONMENT

CANADIAN ENVIRONMENTAL PROTECTION ACT, 1999

Notice is hereby given that, pursuant to the provisions of Part 7, Division 3, of the *Canadian Environmental Protection Act, 1999*, Permit No. 4543-2-03342 is approved.

1. *Permittee*: Fraser River Pile & Dredge Ltd., New Westminster, British Columbia.

2. *Type of Permit*: To load waste and other matter for the purpose of disposal at sea and to dispose of waste and other matter at sea.

3. *Term of Permit*: Permit is valid from June 3, 2004, to June 2, 2005.

4. *Loading Site(s)*: Delta Cedar Products, Delta, British Columbia, at approximately 49°03.37' N, 122°56.65' W.

5. *Disposal Site(s)*: Point Grey Disposal Site: 49°15.40' N, 123°22.10' W, at a depth of not less than 210 m.

The following position-fixing procedures must be followed to ensure disposal at the designated disposal site:

(i) The vessel must call the Marine Communications and Traffic Services (MCTS) Centre on departure from the loading site and inform the MCTS Centre that it is heading for a disposal site;

(ii) Upon arrival at a disposal site, and prior to disposal, the vessel must again call the MCTS Centre to confirm its position. Disposal can proceed if the vessel is on the disposal site. If the vessel is not within the disposal site boundaries, the MCTS Centre will direct it to the site and advise that disposal can proceed;

MINISTÈRE DE L'ENVIRONNEMENT

LOI CANADIENNE SUR LA PROTECTION DE L'ENVIRONNEMENT (1999)

Avis est par les présentes donné que le permis n° 4543-2-03342 est approuvé conformément aux dispositions de la partie 7, section 3, de la *Loi canadienne sur la protection de l'environnement (1999)*.

1. *Titulaire* : Fraser River Pile & Dredge Ltd., New Westminster (Colombie-Britannique).

2. *Type de permis* : Permis de charger des déchets et d'autres matières pour l'immersion en mer et d'immerger en mer des déchets et d'autres matières.

3. *Durée du permis* : Le permis est valide du 3 juin 2004 au 2 juin 2005.

4. *Lieu(x) de chargement* : Delta Cedar Products, Delta (Colombie-Britannique), à environ 49°03,37' N., 122°56,65' O.

5. *Lieu(x) d'immersion* : Lieu d'immersion de la pointe Grey : 49°15,40' N., 123°22,10' O., à une profondeur minimale de 210 m.

Pour assurer le déversement de la charge à l'endroit désigné, on doit établir la position du navire en suivant les procédures indiquées ci-dessous :

(i) Le Centre des Services de communications et trafic maritimes (Centre SCTM) doit être informé du départ du navire du lieu de chargement en direction d'un lieu d'immersion;

(ii) Lorsque le navire est arrivé au lieu d'immersion et avant le déversement de la charge, on doit de nouveau communiquer avec le Centre SCTM pour confirmer la position du navire. Si le navire est dans la zone d'immersion, on peut procéder au déversement et s'il est en dehors de la zone, le Centre SCTM l'y dirige et lui indique quand commencer les opérations;

(iii) The vessel will inform the MCTS Centre when disposal has been completed prior to leaving the disposal site.

6. *Route to Disposal Site(s)*: Direct.

7. *Method of Loading and Disposal*: Loading by clamshell dredge and disposal by bottom dump scow or end dumping.

8. *Rate of Disposal*: As required by normal operations.

9. *Total Quantity to Be Disposed of*: Not to exceed 15 000 m³.

10. *Waste and Other Matter to Be Disposed of*: Dredged material consisting of silt, sand, rock, wood waste and other approved material typical to the approved loading site except logs and usable wood.

10.1. The Permittee must ensure that every reasonable effort has been made to prevent the deposition of log bundling strand into material approved for loading and ocean disposal and/or remove log bundling strand from material approved for loading and ocean disposal.

11. *Requirements and Restrictions*:

11.1. The Permittee must notify the permit-issuing office before commencement of the project as to the dates on which the loading and ocean disposal will occur.

11.2. The Permittee must ensure that all contractors involved in the loading or disposal activity for which the permit is issued are made aware of any restrictions or conditions identified in the permit and of the possible consequences of any violation of these conditions. A copy of the permit and of the letter of transmittal must be displayed at the loading site and carried on all towing vessels and loading platforms or equipment involved in disposal at sea activities.

11.3. The fee prescribed by the *Ocean Dumping Permit Fee Regulations (Site Monitoring)* shall be paid by the Permittee in accordance with those Regulations.

11.4. Contact must be made with the Canadian Coast Guard, Regional Marine Information Centre (RMIC), regarding the issuance of a "Notice to Shipping." The RMIC is located at 2380-555 West Hastings Street, Vancouver, British Columbia V6B 5G3, (604) 666-6012 (telephone), (604) 666-8453 (facsimile), RMIC-PACIFIC@PAC.DFO-MPO.GC.CA (electronic mail).

11.5. Any enforcement officer designated pursuant to subsection 217(1) of the *Canadian Environmental Protection Act, 1999*, shall be permitted to mount an electronic tracking device on any vessel that is engaged in the disposal at sea activities authorized by this permit. The Permittee shall take all reasonable measures to ensure that there is no tampering with the tracking device and no interference with its operation. The tracking device shall be removed only by an enforcement officer or by a person with the written consent of an enforcement officer.

11.6. The Permittee must submit to the Regional Director, Environmental Protection Branch, within 30 days of the expiry of the permit, a list of all work completed pursuant to the permit, including the nature and quantity of material disposed of and the dates on which the activity occurred.

M. NASSICHUK
*Environmental Protection
Pacific and Yukon Region*

[18-1-o]

(iii) Le Centre SCTM doit être avisé de la fin du déchargement avant le départ du navire du lieu d'immersion.

6. *Parcours à suivre* : Direct.

7. *Mode de chargement et d'immersion* : Chargement à l'aide d'une drague à benne à demi-coquilles et immersion à l'aide d'un chaland à bascule ou à clapets.

8. *Quantité proportionnelle à immerger* : Selon les opérations normales.

9. *Quantité totale à immerger* : Maximum de 15 000 m³.

10. *Déchets et autres matières à immerger* : Matières draguées composées de limon, de sable, de roche, des déchets de bois et d'autres matières approuvées caractéristiques du lieu de chargement approuvé à l'exception des billes et du bois utilisable.

10.1. Le titulaire doit s'assurer que des efforts raisonnables ont été faits pour empêcher le dépôt des câbles de flottage du bois dans le matériel approuvé pour le chargement et l'immersion en mer et/ou enlever les câbles de flottage du bois du matériel approuvé pour le chargement et l'immersion en mer.

11. *Exigences et restrictions* :

11.1. Le titulaire doit aviser le bureau émetteur du permis avant toute activité de chargement ou d'immersion concernant les dates prévues de chargement et d'immersion.

11.2. Le titulaire doit s'assurer que tous les entrepreneurs qui prennent part aux opérations de chargement et d'immersion pour lesquelles le permis a été accordé sont au courant des restrictions et des conditions mentionnées dans le permis ainsi que des conséquences possibles du non-respect de ces conditions. Une copie du permis et une copie de la lettre d'envoi doivent se trouver aux lieux de chargement et à bord de tous les bateaux-remorques et toutes les plates-formes munies de dragues à benne preneuse servant aux opérations de dragage et d'immersion en mer.

11.3. Le titulaire doit payer le droit prescrit en vertu du *Règlement sur les prix à payer pour les permis d'immersion en mer (surveillance des sites)*.

11.4. Le titulaire doit communiquer avec la Garde côtière canadienne, Centre régional d'information maritime, au sujet de la délivrance d'un « Avis à la navigation ». Le Centre régional d'information maritime est situé au 555, rue Hastings Ouest, Pièce 2380, Vancouver (Colombie-Britannique) V6B 5G3, (604) 666-6012 (téléphone), (604) 666-8453 (télécopieur), RMIC-PACIFIC@PAC.DFO-MPO.GC.CA (courrier électronique).

11.5. Il est permis à un agent de l'autorité désigné en vertu du paragraphe 217(1) de la *Loi canadienne sur la protection de l'environnement (1999)* d'installer un dispositif de surveillance électronique sur tout navire qui participe aux activités de chargement et d'immersion en mer autorisées par le présent permis. Le titulaire doit prendre toutes les mesures raisonnables pour s'assurer que ni le dispositif ni son fonctionnement ne seront altérés. Le dispositif ne peut être enlevé qu'avec le consentement écrit de l'agent de l'autorité ou par l'agent de l'autorité lui-même.

11.6. Le titulaire doit présenter au directeur régional, Direction de la protection de l'environnement, dans les 30 jours suivant la date d'expiration du permis, une liste des travaux achevés conformément au permis indiquant la nature et la quantité de matières immergées, ainsi que les dates auxquelles l'activité a eu lieu.

*Protection de l'environnement
Région du Pacifique et du Yukon*
M. NASSICHUK

[18-1-o]

DEPARTMENT OF THE ENVIRONMENT

CANADIAN ENVIRONMENTAL PROTECTION ACT, 1999

Notice is hereby given that, pursuant to the provisions of Part 7, Division 3, of the *Canadian Environmental Protection Act, 1999*, Permit No. 4543-2-03343 is approved.

1. *Permittee*: Fraser River Pile & Dredge Ltd., New Westminster, British Columbia.

2. *Type of Permit*: To load waste and other matter for the purpose of disposal at sea and to dispose of waste and other matter at sea.

3. *Term of Permit*: Permit is valid from June 3, 2004, to June 2, 2005.

4. *Loading Site(s)*: Richmond Plywood, Richmond, British Columbia, at approximately 49°12.17' N, 123°04.25' W.

5. *Disposal Site(s)*: Point Grey Disposal Site: 49°15.40' N, 123°22.10' W, at a depth of not less than 210 m.

The following position-fixing procedures must be followed to ensure disposal at the designated disposal site:

(i) The vessel must inform the Marine Communications and Traffic Services (MCTS) Centre on departure from the loading site and inform the MCTS Centre that it is heading for a disposal site;

(ii) Upon arrival at the disposal site and prior to disposal, the vessel must again call the MCTS Centre to confirm its position. Disposal can proceed if the vessel is on the disposal site. If the vessel is not within the disposal site boundaries, the MCTS Centre will direct it to the site and advise that disposal can proceed; and

(iii) The vessel must inform the MCTS Centre when disposal has been completed, prior to leaving the disposal site.

6. *Route to Disposal Site(s)*: Direct.

7. *Method of Loading and Disposal*: Loading by clamshell dredge and disposal by bottom dump scow or end dumping.

8. *Rate of Disposal*: As required by normal operations.

9. *Total Quantity to Be Disposed of*: Not to exceed 12 000 m³.

10. *Waste and Other Matter to Be Disposed of*: Dredged material consisting of silt, sand, rock, wood waste and other approved material typical to the approved loading site, except logs and usable wood.

10.1. The Permittee must ensure that every reasonable effort has been made to prevent the deposition of log bundling strand into material approved for loading and ocean disposal and/or remove log bundling strand from material approved for loading and ocean disposal.

11. *Requirements and Restrictions*:

11.1. The Permittee must notify the permit-issuing office before commencement of the project as to the dates on which the loading and ocean disposal will occur.

11.2. The Permittee must ensure that all contractors involved in the loading or disposal activity for which the permit is issued are made aware of any restrictions or conditions identified in the permit and of the possible consequences of any violation of these conditions. A copy of the permit and of the letter of transmittal must be displayed at the loading site and carried on all towing

MINISTÈRE DE L'ENVIRONNEMENT

LOI CANADIENNE SUR LA PROTECTION DE L'ENVIRONNEMENT (1999)

Avis est par les présentes donné que le permis n° 4543-2-03343 est approuvé conformément aux dispositions de la partie 7, section 3, de la *Loi canadienne sur la protection de l'environnement (1999)*.

1. *Titulaire* : Fraser River Pile & Dredge Ltd., New Westminster (Colombie-Britannique).

2. *Type de permis* : Permis de charger des déchets et d'autres matières pour l'immersion en mer et d'immerger en mer des déchets et d'autres matières.

3. *Durée du permis* : Le permis est valide du 3 juin 2004 au 2 juin 2005.

4. *Lieu(x) de chargement* : Richmond Plywood, Richmond (Colombie-Britannique), à environ 49°12,17' N., 123°04,25' O.

5. *Lieu(x) d'immersion* : Lieu d'immersion de la pointe Grey : 49°15,40' N., 123°22,10' O., à une profondeur minimale de 210 m.

Pour assurer le déversement de la charge à l'endroit désigné, on doit établir la position du navire en suivant les procédures indiquées ci-dessous :

(i) Le Centre des Services de communications et de trafic maritimes (Centre SCTM) doit être informé du départ du navire du lieu de chargement en direction d'un lieu d'immersion;

(ii) Lorsque le navire est arrivé au lieu d'immersion et avant le déversement de la charge, on doit de nouveau communiquer avec le Centre SCTM pour confirmer la position du navire. Si le navire est dans la zone d'immersion, on peut procéder au déversement et s'il est en dehors de la zone, le Centre SCTM l'y dirige et lui indique quand commencer les opérations;

(iii) Le Centre SCTM doit être avisé de la fin du déchargement avant le départ du navire du lieu d'immersion.

6. *Parcours à suivre* : Direct.

7. *Mode de chargement et d'immersion* : Chargement à l'aide d'une drague à benne à demi-coquilles et immersion à l'aide d'un chaland à bascule ou à clapets.

8. *Quantité proportionnelle à immerger* : Selon les opérations normales.

9. *Quantité totale à immerger* : Maximum de 12 000 m³.

10. *Déchets et autres matières à immerger* : Matières draguées composées de limon, de sable, de roches, des déchets de bois et d'autres matières approuvées caractéristiques du lieu de chargement approuvé, à l'exception des billes et du bois utilisable.

10.1. Le titulaire doit s'assurer que des efforts raisonnables ont été faits pour empêcher le dépôt des câbles de flottage du bois dans le matériel approuvé pour le chargement et l'immersion en mer et/ou d'enlever les câbles de flottage du bois du matériel approuvé pour le chargement et l'immersion en mer.

11. *Exigences et restrictions* :

11.1. Avant toute activité de chargement ou d'immersion, le titulaire doit aviser le bureau émetteur du permis des dates prévues de chargement et d'immersion en mer.

11.2. Le titulaire doit s'assurer que tous les entrepreneurs qui prennent part aux opérations de chargement et d'immersion pour laquelle le permis a été accordé sont au courant des restrictions et des conditions mentionnées dans le permis ainsi que des conséquences possibles du non-respect de ces conditions. Une copie du permis et une copie de la lettre d'envoi doivent se trouver aux

vessels and loading platforms or equipment involved in disposal at sea activities.

11.3. The fee prescribed by the *Ocean Dumping Permit Fee Regulations (Site Monitoring)* shall be paid by the Permittee in accordance with those Regulations.

11.4. Contact must be made with the Canadian Coast Guard, Regional Marine Information Centre regarding the issuance of a "Notice to Shipping." The RMIC is located at 2380-555 West Hastings Street, Vancouver, British Columbia V6B 5G3, (604) 666-6012 (telephone), (604) 666-8453 (facsimile), RMIC-PACIFIC@PAC.DFO-MPO.GC.CA (electronic mail).

11.5. Any enforcement officer designated pursuant to subsection 217(1) of the *Canadian Environmental Protection Act, 1999*, shall be permitted to mount an electronic tracking device on any vessel that is engaged in the disposal at sea activities authorized by this permit. The Permittee shall take all reasonable measures to ensure that there is no tampering with the tracking device and no interference with its operation. The tracking device shall be removed only by an enforcement officer or by a person with the written consent of an enforcement officer.

11.6. The Permittee must submit to the Regional Director, Environmental Protection Branch, within 30 days of the expiry of the permit, a list of all work completed pursuant to the permit, the nature and quantity of material disposed of and the dates on which the activity occurred.

M. NASSICHUK
*Environmental Protection
Pacific and Yukon Region*

[18-1-o]

DEPARTMENT OF THE ENVIRONMENT

CANADIAN ENVIRONMENTAL PROTECTION ACT, 1999

Notice is hereby given that, pursuant to the provisions of Part 7, Division 3, of the *Canadian Environmental Protection Act, 1999*, Permit No. 4543-2-03344 is approved.

1. *Permittee*: Fraser River Pile & Dredge Ltd., New Westminster, British Columbia.

2. *Type of Permit*: To load waste and other matter for the purpose of disposal at sea and to dispose of waste and other matter at sea.

3. *Term of Permit*: Permit is valid from June 19, 2004, to June 18, 2005.

4. *Loading Site(s)*:

(a) Weyerhaeuser Canada — New Westminster Lumber Division, New Westminster, British Columbia, at approximately 49°11.50' N, 122°57.20' W;

(b) Weyerhaeuser Canada — Northwest Hardwoods, Delta, British Columbia, at approximately 49°08.60' N, 123°02.00' W; and

(c) Weyerhaeuser Canada — Chemainus Sawmill, Chemainus, British Columbia, at approximately 48°55.24' N, 123°42.62' W.

5. *Disposal Site(s)*:

(a) Point Grey Disposal Site: 49°15.40' N, 123°22.10' W, at a depth of not less than 210 m;

lieux de chargement et à bord de tous les bateaux-remorques et de toutes les plates-formes munies de dragues à benne preneuse servant aux opérations de dragage et d'immersion en mer.

11.3. Le titulaire doit payer le droit prescrit en vertu du *Règlement sur les prix à payer pour les permis d'immersion en mer (surveillance des sites)*.

11.4. Le titulaire doit communiquer avec la Garde côtière canadienne, Centre régional d'information maritime, au sujet de la délivrance d'un « Avis à la navigation ». Le Centre régional d'information maritime est situé au 555, rue Hastings Ouest, Pièce 2380, Vancouver (Colombie-Britannique) V6B 5G3, (604) 666-6012 (téléphone), (604) 666-8453 (télécopieur), RMIC-PACIFIC@PAC.DFO-MPO.GC.CA (courrier électronique).

11.5. Il est permis à un agent de l'autorité désigné en vertu du paragraphe 217(1) de la *Loi canadienne sur la protection de l'environnement (1999)* d'installer un dispositif de surveillance électronique sur tout navire qui participe aux activités de chargement et d'immersion en mer autorisées par le présent permis. Le titulaire doit prendre toutes les mesures raisonnables pour s'assurer que ni le dispositif ni son fonctionnement ne seront altérés. Le dispositif ne peut être enlevé qu'avec le consentement écrit de l'agent de l'autorité ou par l'agent de l'autorité lui-même.

11.6. Le titulaire doit présenter au directeur régional, Direction de la protection de l'environnement, dans les 30 jours suivant la date d'expiration du permis, une liste des travaux achevés conformément au permis, indiquant la nature et la quantité de matières immergées, ainsi que les dates auxquelles l'activité a eu lieu.

*Protection de l'environnement
Région du Pacifique et du Yukon*
M. NASSICHUK

[18-1-o]

MINISTÈRE DE L'ENVIRONNEMENT

LOI CANADIENNE SUR LA PROTECTION DE L'ENVIRONNEMENT (1999)

Avis est par les présentes donné que le permis n° 4543-2-03344 est approuvé conformément aux dispositions de la partie 7, section 3, de la *Loi canadienne sur la protection de l'environnement (1999)*.

1. *Titulaire* : Fraser River Pile & Dredge Ltd., New Westminster (Colombie-Britannique).

2. *Type de permis* : Permis de charger des déchets et d'autres matières pour l'immersion en mer et d'immerger en mer des déchets et d'autres matières.

3. *Durée du permis* : Le permis est valide du 19 juin 2004 au 18 juin 2005.

4. *Lieu(x) de chargement* :

(a) Weyerhaeuser Canada — Division de sciage de New Westminster, New Westminster (Colombie-Britannique), à environ 49°11,50' N., 122°57,20' O.;

(b) Weyerhaeuser Canada — Northwest Hardwoods, Delta (Colombie-Britannique), à environ 49°08,60' N., 123°02,00' O.;

(c) Weyerhaeuser Canada — Chemainus Sawmill, Chemainus (Colombie-Britannique), à environ 48°55,24' N., 123°42,62' O.

5. *Lieu(x) d'immersion* :

(a) Lieu d'immersion de la pointe Grey : 49°15,40' N., 123°22,10' O., à une profondeur minimale de 210 m;

(b) Sand Heads Disposal Site: 49°06.00' N, 123°19.50' W, at a depth of not less than 70 m; and

(c) Porlier Pass Disposal Site: 49°00.20' N, 123°29.80' W, at a depth of not less than 200 m.

The following position-fixing procedures must be followed to ensure disposal at the designated disposal site:

(i) The vessel must inform the appropriate Marine Communications and Traffic Services (MCTS) Centre upon departure from the loading site that it is heading for a disposal site;

(ii) Upon arrival at a disposal site and prior to disposal, the vessel must again call the appropriate MCTS Centre to confirm its position. Disposal can proceed if the vessel is on the disposal site. If the vessel is not within the disposal site boundaries, the MCTS Centre will advise of the bearing and distance to the site and advise that disposal can proceed; and

(iii) The vessel must inform the appropriate MCTS Centre when disposal has been completed prior to leaving the disposal site.

6. *Route to Disposal Site(s)*: Direct.

7. *Method of Loading and Disposal*: Loading by clamshell dredge with disposal by hopper barge or end dumping.

8. *Rate of Disposal*: As required by normal operations.

9. *Total Quantity to Be Disposed of*: Not to exceed 29 000 m³.

10. *Waste and Other Matter to Be Disposed of*: Dredged material consisting of silt, sand, rock, wood wastes and other approved material typical to the approved loading site, except logs and usable wood.

10.1. The Permittee must ensure that every reasonable effort has been made to prevent the deposition of log bundling strand into material approved for loading and ocean disposal and/or remove log bundling strand from material approved for loading and ocean disposal.

11. *Requirements and Restrictions*:

11.1 The Permittee must notify the permit-issuing office in writing and receive written approval for each loading site prior to any loading or disposal. The written notification must include the following information:

- (i) co-ordinates of the proposed loading site;
- (ii) a site map showing the proposed loading site relative to known landmarks or streets;
- (iii) a figure showing the legal water lots impacted by the proposed dredging or loading activities, giving the spatial delineations of the proposed dredge site within these water lots;
- (iv) all analytical data available for the proposed loading site;
- (v) the nature and quantity of the material to be loaded and disposed of;
- (vi) the proposed dates on which the loading and disposal will take place; and
- (vii) a site history for the proposed loading site.

Additional requirements may be requested by the permit-issuing office.

11.2. The Permittee must ensure that all contractors involved in the loading or disposal activity for which the permit is issued are made aware of any restrictions or conditions identified in the permit and of the possible consequences of any violation of these conditions. A copy of the permit and of the letter of transmittal must be displayed at the loading site and carried on all towing

(b) Lieu d'immersion du cap Sand Heads : 49°06,00' N., 123°19,50' O., à une profondeur minimale de 70 m;

(c) Lieu d'immersion du passage Porlier : 49°00,20' N., 123°29,80' O., à une profondeur minimale de 200 m.

Pour assurer le déversement de la charge à l'endroit désigné, on doit établir la position du navire en suivant les procédures indiquées ci-dessous :

(i) Le Centre des Services de communications et trafic maritimes (Centre SCTM) approprié doit être informé du départ du navire du lieu de chargement en direction d'un lieu d'immersion;

(ii) Lorsque le navire est arrivé au lieu d'immersion et avant le déversement de la charge, on doit de nouveau communiquer avec le Centre SCTM pour confirmer la position du navire. Si le navire est dans la zone d'immersion, on peut procéder au déversement et s'il est en dehors de la zone, le Centre SCTM l'y dirige et lui indique quand commencer les opérations;

(iii) Le Centre SCTM doit être avisé de la fin du déchargement avant le départ du navire du lieu d'immersion.

6. *Parcours à suivre* : Direct.

7. *Mode de chargement et d'immersion* : Chargement à l'aide d'une drague à benne à demi-coquilles et immersion à l'aide d'un chalanda à bascule ou à clapets.

8. *Quantité proportionnelle à immerger* : Selon les opérations normales.

9. *Quantité totale à immerger* : Maximum de 29 000 m³.

10. *Déchets et autres matières à immerger* : Matières draguées composées de limon, de sable, de roche, des déchets de bois et d'autres matières approuvées caractéristiques du lieu de chargement approuvé à l'exception des billes et du bois utilisable.

10.1. Le titulaire doit s'assurer que des efforts raisonnables ont été faits pour empêcher le dépôt des câbles de flottage du bois dans le matériel approuvé pour le chargement et l'immersion en mer et/ou enlever les câbles de flottage du bois du matériel approuvé pour le chargement et l'immersion en mer.

11. *Exigences et restrictions* :

11.1 Le titulaire doit aviser par écrit le bureau émetteur et obtenir une approbation écrite avant toute activité de chargement ou d'immersion. L'avis doit contenir les renseignements suivants :

- (i) les coordonnées du lieu de chargement proposé;
- (ii) une carte de l'endroit qui indique le lieu de chargement par rapport à des rues ou des points de repère connus;
- (iii) un dessin qui indique les lots d'eau légaux touchés par les opérations de chargement et de dragage et qui donne les coordonnées spatiales du lieu de dragage proposé dans ces lots d'eau;
- (iv) toute donnée analytique rassemblée au sujet du lieu de chargement proposé;
- (v) le type et la quantité des matières à charger et à immerger;
- (vi) les dates prévues de chargement et d'immersion;
- (vii) l'utilisation antérieure du lieu de chargement proposé.

Des exigences additionnelles peuvent être spécifiées par le bureau émetteur.

11.2. Le titulaire doit s'assurer que tous les entrepreneurs qui prennent part aux opérations de chargement et d'immersion pour lesquelles le permis a été accordé sont au courant des restrictions et des conditions mentionnées dans le permis ainsi que des conséquences possibles du non-respect de ces conditions. Une copie du permis et de la lettre d'envoi doivent se trouver aux lieux de

vessels and loading platforms or equipment involved in disposal at sea activities.

11.3. The fee prescribed by the *Ocean Dumping Permit Fee Regulations (Site Monitoring)* shall be paid by the Permittee in accordance with those Regulations.

11.4. Contact must be made with the Canadian Coast Guard, Regional Marine Information Centre, regarding the issuance of a "Notice to Shipping." The Permittee should contact the Regional Marine Information Centre, 2380-555 West Hastings Street, Vancouver, British Columbia V6B 5G3, (604) 666-6012 (telephone), (604) 666-8453 (facsimile), RMIC-PACIFIC@PAC.DFO-MPO.GC.CA (electronic mail).

11.5. Any enforcement officer designated pursuant to subsection 217(1) of the *Canadian Environmental Protection Act, 1999*, shall be permitted to mount an electronic tracking device on any vessel that is engaged in the disposal at sea activities authorized by this permit. The Permittee shall take all reasonable measures to ensure that there is no tampering with the tracking device and no interference with its operation. The tracking device shall be removed only by an enforcement officer or by a person with the written consent of an enforcement officer.

11.6. The Permittee must report to the Regional Director, Environmental Protection Branch, Pacific and Yukon Region, within 10 days of the completion of loading at each loading site, including the nature and quantity of material disposed of pursuant to the permit and the dates on which the activity occurred.

11.7. The Permittee must submit to the Regional Director, Environmental Protection Branch, within 30 days of the expiry of the permit, a list of all work completed pursuant to the permit, the nature and quantity of material disposed of, and the dates on which the activity occurred.

M. NASSICHUK
*Environmental Protection
Pacific and Yukon Region*

[18-1-o]

DEPARTMENT OF THE ENVIRONMENT

CANADIAN ENVIRONMENTAL PROTECTION ACT, 1999

Notice is hereby given that, pursuant to the provisions of Part 7, Division 3, of the *Canadian Environmental Protection Act, 1999*, Permit No. 4543-2-04272 is approved.

1. *Permittee*: Les Pêcheries Norpro 2000 Ltée, Havre-Aubert, Îles-de-la-Madeleine, Quebec.

2. *Type of Permit*: To load and dispose of fish waste and other organic matter resulting from industrial fish-processing operations.

3. *Term of Permit*: Permit is valid from May 22, 2004, to May 21, 2005.

4. *Loading Site(s)*: Havre-Aubert wharf, 47°14.20' N, 61°49.60' W (NAD83).

5. *Disposal Site(s)*: Within a 1-km radius of the geographic point 47°17.00' N, 61°49.00' W (NAD83).

chargement et à bord de tous les bateaux-remorques et toutes les plates-formes ou matériel servant aux opérations de dragage et d'immersion en mer.

11.3. Le titulaire doit payer le droit prescrit en vertu du *Règlement sur les prix à payer pour les permis d'immersion en mer (surveillance des sites)*.

11.4. Le titulaire doit communiquer avec la Garde côtière canadienne, Centre régional d'information maritime, au sujet de la délivrance d'un « Avis à la navigation ». On doit communiquer avec le Centre régional d'information maritime, 555, rue Hastings Ouest, Pièce 2380, Vancouver (Colombie-Britannique) V6B 5G3, (604) 666-6012 (téléphone), (604) 666-8453 (télécopieur), RMIC-PACIFIC@PAC.DFO-MPO.GC.CA (courrier électronique).

11.5. Il est permis à un agent de l'autorité désigné en vertu du paragraphe 217(1) de la *Loi canadienne sur la protection de l'environnement (1999)* d'installer un dispositif de surveillance électronique sur tout navire qui participe aux activités de chargement et d'immersion en mer autorisées par le présent permis. Le titulaire doit prendre toutes les mesures raisonnables pour s'assurer que ni le dispositif ni son fonctionnement ne seront altérés. Le dispositif ne peut être enlevé qu'avec le consentement écrit de l'agent de l'autorité ou par l'agent de l'autorité lui-même.

11.6. Le titulaire doit présenter un rapport au directeur régional, Direction de la protection de l'environnement, Région du Pacifique et du Yukon, dans les 10 jours suivant la fin des opérations à chaque lieu de chargement indiquant la nature et la quantité de matières immergées conformément au permis, ainsi que les dates auxquelles l'activité a eu lieu.

11.7. Le titulaire doit présenter au directeur régional, Direction de la protection de l'environnement, dans les 30 jours suivant la date d'expiration du permis, une liste des travaux achevés conformément au permis, indiquant la nature et la quantité de matières immergées, ainsi que les dates auxquelles l'activité a eu lieu.

*Protection de l'environnement
Région du Pacifique et du Yukon*
M. NASSICHUK

[18-1-o]

MINISTÈRE DE L'ENVIRONNEMENT

LOI CANADIENNE SUR LA PROTECTION DE L'ENVIRONNEMENT (1999)

Avis est par les présentes donné que le permis n° 4543-2-04272 est approuvé conformément aux dispositions de la partie 7, section 3, de la *Loi canadienne sur la protection de l'environnement (1999)*.

1. *Titulaire* : Les Pêcheries Norpro 2000 Ltée, Havre-Aubert, Îles-de-la-Madeleine (Québec).

2. *Type de permis* : Permis d'immerger ou de charger des déchets de poisson ou d'autres matières organiques résultant d'opérations de traitement industriel du poisson.

3. *Durée du permis* : Le permis est valide du 22 mai 2004 au 21 mai 2005.

4. *Lieu(x) de chargement* : Quai de Havre-Aubert, 47°14,20' N., 61°49,60' O. (NAD83).

5. *Lieu(x) d'immersion* : Dans un rayon de 1 km du point géographique 47°17,00' N., 61°49,00' O. (NAD83).

6. *Route to Disposal Site(s)*: Direct navigational route from the loading site to the disposal site. The disposal site is situated approximately 5.6 km north of the Havre-Aubert wharf.

7. *Equipment*: Towed scow, barge, or boat.

8. *Method of Disposal*: The material to be disposed of will be placed in the towed scow and discharged directly into the sea within the perimeter indicated in paragraph 5.

9. *Rate of Disposal*: As required by normal operations.

10. *Total Quantity to Be Disposed of*: Not to exceed 1 500 metric tonnes.

11. *Waste or Other Matter to Be Disposed of*: Fish waste and other organic matter resulting from industrial fish-processing operations.

12. *Requirements and Restrictions*:

12.1. It is required that the Permittee report, in writing, to the Regional Director, Environmental Protection, Department of the Environment, Quebec Region, 105 McGill Street, 4th Floor, Montréal, Quebec H2Y 2E7, (514) 283-4423 (facsimile), immersion.qc@ec.gc.ca (electronic mail), at least 48 hours prior to the start of the first disposal operation to be conducted under this permit.

12.2. A written report shall be submitted to the Regional Director, identified in paragraph 12.1, within 30 days of the expiry of the permit. This report shall include the *Register of Disposal at Sea Operations* mentioned in paragraph 12.5 and shall contain the following information: the quantity and type of material disposed of pursuant to the permit, the equipment used and the dates on which the disposal and loading activities occurred.

12.3. It is required that the Permittee admit any enforcement officer designated pursuant to subsection 217(1) of the *Canadian Environmental Protection Act, 1999*, to any place, ship, aircraft, platform or anthropogenic structure directly related to the loading or disposal at sea referred to under this permit, at any reasonable time throughout the duration of this permit.

12.4. A copy of this permit must, at all times, be kept on board any vessel involved with the disposal operations.

12.5. The Permittee must complete the *Register of Disposal at Sea Operations* as provided by the Department of the Environment. This register must, at all times, be kept on board any vessel involved with the disposal operations and be accessible to enforcement officers designated under the *Canadian Environmental Protection Act, 1999*.

12.6. The disposal at sea referred to under this permit shall not be carried out without authorization from the Permittee.

12.7. The barge or containers to transport the material to be disposed of must be covered in a manner to prevent access by gulls and other sea birds.

12.8. The loading must be completed in a manner that ensures no material contaminates the marine environment, notably the harbour and adjacent beaches. The Permittee must also ensure that the loading sites are cleaned up and, if necessary, that spilled wastes are recovered.

M.-F. BÉRARD
Environmental Protection
Quebec Region

[18-1-o]

6. *Parcours à suivre* : Voie navigable directe entre le lieu de chargement et le lieu d'immersion. Le lieu d'immersion est situé à environ 5,6 km au nord du quai de Havre-Aubert.

7. *Matériel* : Chaland remorqué, péniche ou bateau.

8. *Mode d'immersion* : Les matières à immerger seront déposées dans un chaland remorqué et le contenu du chaland sera déversé directement dans la mer, à l'intérieur du périmètre prévu au paragraphe 5.

9. *Quantité proportionnelle à immerger* : Selon les opérations normales.

10. *Quantité totale à immerger* : Maximum de 1 500 tonnes métriques.

11. *Déchets et autres matières à immerger* : Déchets de poissons ou autres matières organiques résultant d'opérations de traitement industriel du poisson.

12. *Exigences et restrictions* :

12.1. Le titulaire doit aviser, par écrit, le Directeur régional, Protection de l'environnement, Ministère de l'Environnement, Région du Québec, 105, rue McGill, 4^e étage, Montréal (Québec) H2Y 2E7, (514) 283-4423 (télécopieur), immersion.qc@ec.gc.ca (courrier électronique), au moins 48 heures avant le début de la première opération d'immersion à effectuer en vertu du présent permis.

12.2. Le titulaire doit présenter un rapport écrit au directeur régional, dont les coordonnées figurent au paragraphe 12.1, dans les 30 jours suivant la date d'expiration du permis. Ce rapport doit inclure le *Registre des opérations d'immersion en mer*, dont il est fait mention au paragraphe 12.5, et contenir les renseignements suivants : la quantité totale et le type de matières immergées en conformité avec le permis, le matériel utilisé pour les opérations d'immersion ainsi que les dates de chargement et d'immersion.

12.3. Le titulaire doit permettre à tout agent de l'autorité désigné en vertu du paragraphe 217(1) de la *Loi canadienne sur la protection de l'environnement (1999)* de procéder à la visite de tout lieu, navire, aéronef ou toute plate-forme ou construction anthropique directement reliés au chargement ou à l'immersion visés aux termes du permis, et ce, à toute heure convenable pendant la durée du permis.

12.4. Une copie du présent permis doit être gardée en tout temps à bord du navire chargé des opérations d'immersion.

12.5. Le titulaire doit compléter le *Registre des opérations d'immersion en mer* fourni par le ministère de l'Environnement. Ce registre doit être gardé en tout temps sur le navire chargé de l'immersion et être accessible aux agents de l'autorités désignés en vertu de la *Loi canadienne sur la protection de l'environnement (1999)*.

12.6. Personne ne doit effectuer le chargement ou l'immersion en mer désignés aux termes du présent permis sans l'autorisation écrite du titulaire.

12.7. Le chaland ou les conteneurs servant au transport des matières à immerger doivent être couverts de manière à empêcher les goélands et autres oiseaux marins d'y accéder.

12.8. Le chargement doit s'effectuer de façon qu'aucune matière ne contamine l'environnement marin, notamment le havre et les plages adjacentes. Le titulaire doit également s'assurer du nettoyage des lieux de chargement et, le cas échéant, de la récupération des déchets déversés.

Protection de l'environnement
Région du Québec
M.-F. BÉRARD

[18-1-o]

DEPARTMENT OF THE ENVIRONMENT

CANADIAN ENVIRONMENTAL PROTECTION ACT, 1999

Notice is hereby given that, pursuant to the provisions of Part 7, Division 3, of the *Canadian Environmental Protection Act, 1999*, Permit No. 4543-2-06281 is approved.

1. *Permittee*: Tornгат Fish Producers Co-operative Society Ltd., Happy Valley-Goose Bay, Newfoundland and Labrador.

2. *Type of Permit*: To load and dispose of fish waste and other organic matter resulting from industrial fish-processing operations.

3. *Term of Permit*: Permit is valid from June 3, 2004, to June 2, 2005.

4. *Loading Site(s)*: 54°54.50' N, 59°46.10' W, Postville, Newfoundland and Labrador.

5. *Disposal Site(s)*: 54°54.40' N, 59°45.60' W, at an approximate depth of 55 m.

6. *Route to Disposal Site(s)*: Most direct navigational route from the loading site to the disposal site.

7. *Equipment*: Vessels, barges or other floating equipment complying with all applicable rules regarding safety and navigation and capable of containing all waste cargo during loading and transit to the approved disposal site.

8. *Method of Disposal*: The material to be disposed of shall be discharged from the equipment or vessel while steaming within 300 m of the approved disposal site. Disposal will take place in a manner which will promote the greatest degree of dispersion. All vessels will operate at maximum safe speed while discharging offal.

9. *Rate of Disposal*: As required by normal operations.

10. *Total Quantity to Be Disposed of*: Not to exceed 100 tonnes.

11. *Waste and Other Matter to Be Disposed of*: Fish waste and other organic matter resulting from industrial fish-processing operations.

12. *Requirements and Restrictions*:

12.1. It is required that the Permittee report, in writing, to Mr. Rick Wadman, Environmental Protection Branch, Department of the Environment, 6 Bruce Street, Mount Pearl, Newfoundland and Labrador A1N 4T3, (709) 772-5097 (facsimile), rick.wadman@ec.gc.ca (electronic mail), at least 48 hours prior to the start of the first disposal operation to be conducted under this permit.

12.2. A written report shall be submitted to Mr. Rick Wadman, identified in paragraph 12.1, within 30 days of either the completion of the work or the expiry of the permit, whichever comes first. This report shall contain the following information: the quantity and type of material disposed of pursuant to the permit and the dates on which the loading and disposal activities occurred.

12.3. It is required that the Permittee admit any enforcement officer designated pursuant to subsection 217(1) of the *Canadian Environmental Protection Act, 1999*, to any place, ship, or anthropogenic structure directly related to the loading or disposal at sea referred to under this permit, at any reasonable time throughout the duration of this permit.

MINISTÈRE DE L'ENVIRONNEMENT

LOI CANADIENNE SUR LA PROTECTION DE L'ENVIRONNEMENT (1999)

Avis est par les présentes donné que le permis n° 4543-2-06281 est approuvé conformément aux dispositions de la partie 7, section 3, de la *Loi canadienne sur la protection de l'environnement (1999)*.

1. *Titulaire* : Tornгат Fish Producers Co-operative Society Ltd., Happy Valley-Goose Bay (Terre-Neuve-et-Labrador).

2. *Type de permis* : Permis de charger et d'immerger des déchets de poisson et d'autres matières organiques résultant d'opérations de traitement industriel du poisson.

3. *Durée du permis* : Le permis est valide du 3 juin 2004 au 2 juin 2005.

4. *Lieu(x) de chargement* : 54°54,50' N., 59°46,10' O., Postville (Terre-Neuve-et-Labrador).

5. *Lieu(x) d'immersion* : 54°54,40' N., 59°45,60' O., à une profondeur approximative de 55 m.

6. *Parcours à suivre* : Voie navigable la plus directe entre le lieu de chargement et le lieu d'immersion.

7. *Matériel* : Navire, péniche ou autre pièce d'équipement flottant respectant toutes les normes de sécurité et de navigation applicables et pouvant contenir la totalité des matières à immerger durant le chargement et le transport jusqu'au lieu d'immersion approuvé.

8. *Mode d'immersion* : Les matières à immerger seront déchargées du navire ou de la pièce d'équipement en mouvement à une distance maximale de 300 m du lieu d'immersion approuvé. L'immersion se fera d'une manière qui permettra la plus grande dispersion possible des matières. Le navire se déplacera à la vitesse maximale jugée sans danger lors du déchargement.

9. *Quantité proportionnelle à immerger* : Selon les opérations normales.

10. *Quantité totale à immerger* : Maximum de 100 tonnes métriques.

11. *Déchets et autres matières à immerger* : Déchets de poisson et autres matières organiques résultant d'opérations de traitement industriel du poisson.

12. *Exigences et restrictions* :

12.1. Le titulaire doit communiquer, par écrit, avec Monsieur Rick Wadman, Direction de la protection de l'environnement, Ministère de l'Environnement, 6, rue Bruce, Mount Pearl (Terre-Neuve-et-Labrador) A1N 4T3, (709) 772-5097 (télécopieur), rick.wadman@ec.gc.ca (courrier électronique), au moins 48 heures avant le début de la première opération d'immersion effectuée en vertu du permis.

12.2. Le titulaire doit présenter un rapport écrit à M. Rick Wadman, dont les coordonnées figurent au paragraphe 12.1, dans les 30 jours suivant la date de la fin des opérations ou la date d'expiration du permis, selon la première échéance. Ce rapport doit contenir les renseignements suivants : la quantité et le type de matières immergées en conformité avec le permis et les dates de chargement et d'immersion.

12.3. Le titulaire doit permettre à tout agent de l'autorité désigné en vertu du paragraphe 217(1) de la *Loi canadienne sur la protection de l'environnement (1999)* de procéder à la visite de tout lieu, navire ou de toute autre construction anthropique directement reliés au chargement ou à l'immersion en mer visés aux termes du permis, et ce, à toute heure convenable pendant la durée du permis.

12.4. The loading and transit of material to be disposed of at the disposal site must be conducted in such a manner that no material enters the marine environment. Material spilled at any place other than the permitted disposal site must be retrieved. All wastes must be contained on shore while the barge is away from the loading site.

12.5. The material to be disposed of must be covered with netting or other material to prevent access by gulls, except during direct loading or disposal of the material.

12.6. This permit must be displayed in an area of the plant accessible to the public.

12.7. Vessels operating under the authority of this permit must carry and display a radar-reflecting device at all times mounted on the highest practical location.

12.8. The loading or disposal at sea conducted under this permit shall not be carried out without written authorization from the Permittee.

12.9. Material loaded for the purpose of disposal at sea may not be held aboard any vessel for more than 96 hours without the written consent of an enforcement officer designated pursuant to subsection 217(1) of the *Canadian Environmental Protection Act, 1999*.

K. G. HAMILTON
Environmental Protection
Atlantic Region

[18-1-o]

12.4. Le chargement et le transport des matières à immerger au lieu d'immersion doivent être effectués de façon qu'aucune matière ne pénètre dans le milieu marin. Les matières déversées à tout autre endroit que le lieu d'immersion autorisé doivent être récupérées. Toute matière doit être gardée sur le rivage lorsque la péniche n'est pas sur le lieu de chargement.

12.5. Les matières à immerger doivent être couvertes au moyen d'un filet ou autrement afin d'empêcher les goélands d'y accéder, sauf durant le chargement ou l'immersion.

12.6. Ce permis doit être affiché à un endroit de l'usine auquel le public a accès.

12.7. L'équipement visé par le présent permis portera en tout temps un dispositif réfléchissant les ondes radars au point pratique le plus élevé de sa structure.

12.8. Personne ne doit effectuer le chargement ou l'immersion désignés aux termes du présent permis sans l'autorisation écrite du titulaire.

12.9. Les matières chargées pour l'immersion en mer ne seront pas gardées plus de 96 heures à bord du navire sans l'autorisation écrite d'un agent de l'autorité désigné en vertu du paragraphe 217(1) de la *Loi canadienne sur la protection de l'environnement (1999)*.

Protection de l'environnement
Région de l'Atlantique
K. G. HAMILTON

[18-1-o]

DEPARTMENT OF THE ENVIRONMENT

CANADIAN ENVIRONMENTAL PROTECTION ACT, 1999

Notice is hereby given that, pursuant to the provisions of Part 7, Division 3, of the *Canadian Environmental Protection Act, 1999*, Permit No. 4543-2-06288 is approved.

1. *Permittee*: Shawmut Fisheries (1998) Ltd., Witless Bay, Newfoundland and Labrador.

2. *Type of Permit*: To load and dispose of fish waste and other organic matter resulting from industrial fish-processing operations.

3. *Term of Permit*: Permit is valid from June 3, 2004, to June 2, 2005.

4. *Loading Site(s)*: 47°16.74' N, 52°49.42' W, Witless Bay, Newfoundland and Labrador.

5. *Disposal Site(s)*: 47°16.34' N, 52°47.54' W, at an approximate depth of 50 m.

6. *Route to Disposal Site(s)*: Most direct navigational route from the loading site to the disposal site.

7. *Equipment*: Vessels, barges or other floating equipment complying with all applicable rules regarding safety and navigation and capable of containing all waste cargo during loading and transit to the approved disposal site.

8. *Method of Disposal*: The material to be disposed of shall be discharged from the equipment or vessel while steaming within 300 m of the approved disposal site. Disposal will take place in a manner which will promote the greatest degree of dispersion. All vessels will operate at maximum safe speed while discharging offal.

MINISTÈRE DE L'ENVIRONNEMENT

LOI CANADIENNE SUR LA PROTECTION DE L'ENVIRONNEMENT (1999)

Avis est par les présentes donné que le permis n° 4543-2-06288 est approuvé conformément aux dispositions de la partie 7, section 3, de la *Loi canadienne sur la protection de l'environnement (1999)*.

1. *Titulaire* : Shawmut Fisheries (1998) Ltd., Witless Bay (Terre-Neuve-et-Labrador).

2. *Type de permis* : Permis de charger et d'immerger des déchets de poisson et d'autres matières organiques résultant d'opérations de traitement industriel du poisson.

3. *Durée du permis* : Le permis est valide du 3 juin 2004 au 2 juin 2005.

4. *Lieu(x) de chargement* : 47°16,74' N., 52°49,42' O., Witless Bay (Terre-Neuve-et-Labrador).

5. *Lieu(x) d'immersion* : 47°16,34' N., 52°47,54' O., à une profondeur approximative de 50 m.

6. *Parcours à suivre* : Voie navigable la plus directe entre le lieu de chargement et le lieu d'immersion.

7. *Matériel* : Navire, péniche ou autre pièce d'équipement flottant respectant toutes les normes de sécurité et de navigation applicables et pouvant contenir la totalité des matières à immerger durant le chargement et le transport jusqu'au lieu d'immersion approuvé.

8. *Mode d'immersion* : Les matières à immerger seront déchargées du navire ou de la pièce d'équipement en mouvement à une distance maximale de 300 m du lieu d'immersion approuvé. L'immersion se fera d'une manière qui permettra la plus grande dispersion possible des matières. Le navire se déplacera à la vitesse maximale jugée sans danger lors du déchargement.

9. *Rate of Disposal*: As required by normal operations.

10. *Total Quantity to Be Disposed of*: Not to exceed 800 tonnes.

11. *Waste and Other Matter to Be Disposed of*: Fish waste and other organic matter resulting from industrial fish processing operations.

12. *Requirements and Restrictions*:

12.1. It is required that the Permittee report, in writing, to Mr. Rick Wadman, Environmental Protection Branch, Department of the Environment, 6 Bruce Street, Mount Pearl, Newfoundland and Labrador A1N 4T3, (709) 772-5097 (facsimile), rick.wadman@ec.gc.ca (electronic mail), at least 48 hours prior to the start of the first disposal operation to be conducted under this permit.

12.2. A written report shall be submitted to Mr. Rick Wadman, identified in paragraph 12.1, within 30 days of either the completion of the work or the expiry of the permit, whichever comes first. This report shall contain the following information: the quantity and type of material disposed of pursuant to the permit and the dates on which the loading and disposal activities occurred.

12.3. It is required that the Permittee admit any enforcement officer designated pursuant to subsection 217(1) of the *Canadian Environmental Protection Act, 1999*, to any place, ship, or anthropogenic structure directly related to the loading or disposal at sea referred to under this permit, at any reasonable time throughout the duration of this permit.

12.4. The loading and transit of material to be disposed of at the disposal site must be conducted in such a manner that no material enters the marine environment. Material spilled at any place other than the permitted disposal site must be retrieved. All wastes must be contained on shore while the barge is away from the loading site.

12.5. The material to be disposed of must be covered with netting or other material to prevent access by gulls, except during direct loading or disposal of the material.

12.6. This permit must be displayed in an area of the plant accessible to the public.

12.7. Vessels operating under the authority of this permit must carry and display a radar-reflecting device at all times mounted on the highest practical location.

12.8. The loading or disposal at sea conducted under this permit shall not be carried out without written authorization from the Permittee.

12.9. Material loaded for the purpose of disposal at sea may not be held aboard any vessel for more than 96 hours without the written consent of an enforcement officer designated pursuant to subsection 217(1) of the *Canadian Environmental Protection Act, 1999*.

K. G. HAMILTON
*Environmental Protection
Atlantic Region*

[18-1-o]

9. *Quantité proportionnelle à immerger* : Selon les opérations normales.

10. *Quantité totale à immerger* : Maximum de 800 tonnes métriques.

11. *Déchets et autres matières à immerger* : Déchets de poisson et autres matières organiques résultant d'opérations de traitement industriel du poisson.

12. *Exigences et restrictions* :

12.1. Le titulaire doit communiquer, par écrit, avec Monsieur Rick Wadman, Direction de la protection de l'environnement, Ministère de l'Environnement, 6, rue Bruce, Mount Pearl (Terre-Neuve-et-Labrador) A1N 4T3, (709) 772-5097 (télécopieur), rick.wadman@ec.gc.ca (courrier électronique), au moins 48 heures avant le début de la première opération d'immersion effectuée en vertu du permis.

12.2. Le titulaire doit présenter un rapport écrit à M. Rick Wadman, dont les coordonnées figurent au paragraphe 12.1, dans les 30 jours suivant la date de la fin des opérations ou la date d'expiration du permis, selon la première échéance. Ce rapport doit contenir les renseignements suivants : la quantité et le type de matières immergées en conformité avec le permis et les dates de chargement et d'immersion.

12.3. Le titulaire doit permettre à tout agent de l'autorité désigné en vertu du paragraphe 217(1) de la *Loi canadienne sur la protection de l'environnement (1999)* de procéder à la visite de tout lieu, navire ou de toute autre construction anthropique directement reliés au chargement ou à l'immersion en mer visés aux termes du permis, et ce, à toute heure convenable pendant la durée du permis.

12.4. Le chargement et le transport des matières à immerger au lieu d'immersion doivent être effectués de façon qu'aucune matière ne pénètre dans le milieu marin. Les matières déversées à tout autre endroit que le lieu d'immersion autorisé doivent être récupérées. Toute matière doit être gardée sur le rivage lorsque la péniche n'est pas sur le lieu de chargement.

12.5. Les matières à immerger doivent être couvertes au moyen d'un filet ou autrement afin d'empêcher les goélands d'y accéder, sauf durant le chargement ou l'immersion.

12.6. Ce permis doit être affiché à un endroit de l'usine auquel le public a accès.

12.7. L'équipement visé par le présent permis portera en tout temps un dispositif réfléchissant les ondes radars au point pratique le plus élevé de sa structure.

12.8. Personne ne doit effectuer le chargement ou l'immersion désignés aux termes du présent permis sans l'autorisation écrite du titulaire.

12.9. Les matières chargées pour l'immersion en mer ne seront pas gardées plus de 96 heures à bord du navire sans l'autorisation écrite d'un agent de l'autorité désigné en vertu du paragraphe 217(1) de la *Loi canadienne sur la protection de l'environnement (1999)*.

*Protection de l'environnement
Région de l'Atlantique*
K. G. HAMILTON

[18-1-o]

DEPARTMENT OF THE ENVIRONMENT

CANADIAN ENVIRONMENTAL PROTECTION ACT, 1999

Notice is hereby given that, pursuant to the provisions of Part 7, Division 3, of the *Canadian Environmental Protection Act, 1999*, Permit No. 4543-2-06289 is approved.

1. *Permittee*: E.J. Green and Company Ltd., Conche, Newfoundland and Labrador.

2. *Type of Permit*: To load and dispose of fish waste and other organic matter resulting from industrial fish-processing operations.

3. *Term of Permit*: Permit is valid from June 19, 2004, to June 18, 2005.

4. *Loading Site(s)*: 50°53.10' N, 55°53.70' W, Conche, Newfoundland and Labrador.

5. *Disposal Site(s)*: 50°51.50' N, 55°58.00' W, at an approximate depth of 40 m.

6. *Route to Disposal Site(s)*: Most direct navigational route from the loading site to the disposal site.

7. *Equipment*: Vessels, barges or other floating equipment complying with all applicable rules regarding safety and navigation and capable of containing all waste cargo during loading and transit to the approved disposal site.

8. *Method of Disposal*: The material to be disposed of shall be discharged from the equipment or vessel while steaming within 300 m of the approved disposal site. Disposal will take place in a manner which will promote the greatest degree of dispersion. All vessels will operate at maximum safe speed while discharging offal.

9. *Rate of Disposal*: As required by normal operations.

10. *Total Quantity to Be Disposed of*: Not to exceed 200 tonnes.

11. *Waste and Other Matter to Be Disposed of*: Fish waste and other organic matter resulting from industrial fish-processing operations.

12. *Requirements and Restrictions*:

12.1. It is required that the Permittee report, in writing, to Mr. Rick Wadman, Environmental Protection Branch, Department of the Environment, 6 Bruce Street, Mount Pearl, Newfoundland and Labrador A1N 4T3, (709) 772-5097 (facsimile), rick.wadman@ec.gc.ca (electronic mail), at least 48 hours prior to the start of the first disposal operation to be conducted under this permit.

12.2. A written report shall be submitted to Mr. Rick Wadman, identified in paragraph 12.1, within 30 days of either the completion of the work or the expiry of the permit, whichever comes first. This report shall contain the following information: the quantity and type of material disposed of pursuant to the permit and the dates on which the loading and disposal activities occurred.

12.3. It is required that the Permittee admit any enforcement officer designated pursuant to subsection 217(1) of the *Canadian Environmental Protection Act, 1999*, to any place, ship, or anthropogenic structure directly related to the loading or disposal at sea referred to under this permit, at any reasonable time throughout the duration of this permit.

MINISTÈRE DE L'ENVIRONNEMENT

LOI CANADIENNE SUR LA PROTECTION DE L'ENVIRONNEMENT (1999)

Avis est par les présentes donné que le permis n° 4543-2-06289 est approuvé conformément aux dispositions de la partie 7, section 3, de la *Loi canadienne sur la protection de l'environnement (1999)*.

1. *Titulaire* : E.J. Green and Company Ltd., Conche (Terre-Neuve-et-Labrador).

2. *Type de permis* : Permis de charger et d'immerger des déchets de poisson et d'autres matières organiques résultant d'opérations de traitement industriel du poisson.

3. *Durée du permis* : Le permis est valide du 19 juin 2004 au 18 juin 2005.

4. *Lieu(x) de chargement* : 50°53,10' N., 55°53,70' O., Conche (Terre-Neuve-et-Labrador).

5. *Lieu(x) d'immersion* : 50°51,50' N., 55°58,00' O., à une profondeur approximative de 40 m.

6. *Parcours à suivre* : Voie navigable la plus directe entre le lieu de chargement et le lieu d'immersion.

7. *Matériel* : Navire, péniche ou autre pièce d'équipement flottant respectant toutes les normes de sécurité et de navigation applicables et pouvant contenir la totalité des matières à immerger durant le chargement et le transport jusqu'au lieu d'immersion approuvé.

8. *Mode d'immersion* : Les matières à immerger seront déchargées du navire ou de la pièce d'équipement en mouvement à une distance maximale de 300 m du lieu d'immersion approuvé. L'immersion se fera d'une manière qui permettra la plus grande dispersion possible des matières. Le navire se déplacera à la vitesse maximale jugée sans danger lors du déchargement.

9. *Quantité proportionnelle à immerger* : Selon les opérations normales.

10. *Quantité totale à immerger* : Maximum de 200 tonnes métriques.

11. *Déchets et autres matières à immerger* : Déchets de poisson et autres matières organiques résultant d'opérations de traitement industriel du poisson.

12. *Exigences et restrictions* :

12.1. Le titulaire doit communiquer, par écrit, avec Monsieur Rick Wadman, Direction de la protection de l'environnement, Ministère de l'Environnement, 6, rue Bruce, Mount Pearl (Terre-Neuve-et-Labrador) A1N 4T3, (709) 772-5097 (télécopieur), rick.wadman@ec.gc.ca (courrier électronique), au moins 48 heures avant le début de la première opération d'immersion effectuée en vertu du permis.

12.2. Le titulaire doit présenter un rapport écrit à M. Rick Wadman, dont les coordonnées figurent au paragraphe 12.1, dans les 30 jours suivant la date de la fin des opérations ou la date d'expiration du permis, selon la première échéance. Ce rapport doit contenir les renseignements suivants : la quantité et le type de matières immergées en conformité avec le permis et les dates de chargement et d'immersion.

12.3. Le titulaire doit permettre à tout agent de l'autorité désigné en vertu du paragraphe 217(1) de la *Loi canadienne sur la protection de l'environnement (1999)* de procéder à la visite de tout lieu, navire ou de toute autre construction anthropique directement reliés au chargement ou à l'immersion en mer visés aux termes du permis, et ce, à toute heure convenable pendant la durée du permis.

12.4. The loading and transit of material to be disposed of at the disposal site must be conducted in such a manner that no material enters the marine environment. Material spilled at any place other than the permitted disposal site must be retrieved. All wastes must be contained on shore while the barge is away from the loading site.

12.5. The material to be disposed of must be covered with netting or other material to prevent access by gulls, except during direct loading or disposal of the material.

12.6. This permit must be displayed in an area of the plant accessible to the public.

12.7. Vessels operating under the authority of this permit must carry and display a radar-reflecting device at all times mounted on the highest practical location.

12.8. The loading or disposal at sea conducted under this permit shall not be carried out without written authorization from the Permittee.

12.9. Material loaded for the purpose of disposal at sea may not be held aboard any vessel for more than 96 hours without the written consent of an enforcement officer designated pursuant to subsection 217(1) of the *Canadian Environmental Protection Act, 1999*.

K. G. HAMILTON
*Environmental Protection
Atlantic Region*

[18-1-o]

12.4. Le chargement et le transport des matières à immerger au lieu d'immersion doivent être effectués de façon qu'aucune matière ne pénètre dans le milieu marin. Les matières déversées à tout autre endroit que le lieu d'immersion autorisé doivent être récupérées. Toute matière doit être gardée sur le rivage lorsque la péniche n'est pas sur le lieu de chargement.

12.5. Les matières à immerger doivent être couvertes au moyen d'un filet ou autrement afin d'empêcher les goélands d'y accéder, sauf durant le chargement ou l'immersion.

12.6. Ce permis doit être affiché à un endroit de l'usine auquel le public a accès.

12.7. L'équipement visé par le présent permis portera en tout temps un dispositif réfléchissant les ondes radars au point pratique le plus élevé de sa structure.

12.8. Personne ne doit effectuer le chargement ou l'immersion désignés aux termes du présent permis sans l'autorisation écrite du titulaire.

12.9. Les matières chargées pour l'immersion en mer ne seront pas gardées plus de 96 heures à bord du navire sans l'autorisation écrite d'un agent de l'autorité désigné en vertu du paragraphe 217(1) de la *Loi canadienne sur la protection de l'environnement (1999)*.

*Protection de l'environnement
Région de l'Atlantique
K. G. HAMILTON*

[18-1-o]

DEPARTMENT OF INDUSTRY

OFFICE OF THE REGISTRAR GENERAL

*Appointments**Name and position/Nom et poste*

Baltacıoğlu, Yaprak
Privy Council Office/Bureau du Conseil privé
Operations/Opérations
Deputy Secretary to the Cabinet/Sous-secrétaire du Cabinet

Boothe, Paul Michael
Department of Finance/Ministère des Finances
Associate Deputy Minister/Sous-ministre délégué

Clague, Ian William
Immigration and Refugee Board/Commission de l'immigration et du statut de réfugié
Part-time Member/Membre à temps partiel

d'Auray, Michelle
Economic Development Agency of Canada for the Regions of Quebec/Agence de développement économique du Canada pour les régions du Québec
Deputy Minister/Sous-ministre

Edwards, Leonard J.
Department of Agriculture and Agri-Food/Ministère de l'Agriculture et de l'Agroalimentaire
Deputy Minister/Sous-ministre

Fonberg, Robert
Department of Foreign Affairs/Ministère des Affaires étrangères
Associate Deputy Minister/Sous-ministre délégué
Department of International Trade/Ministère du Commerce international
Deputy Minister/Sous-ministre

MINISTÈRE DE L'INDUSTRIE

BUREAU DU REGISTRAIRE GÉNÉRAL

*Nominations**Order in Council/Décret en conseil*

2004-402

2004-412

2004-395

2004-399

2004-410

2004-400

<i>Name and position/Nom et poste</i>	<i>Order in Council/Décret en conseil</i>
Fortier, Marie E. Privy Council Office/Bureau du Conseil privé Intergovernmental Affairs/Affaires intergouvernementales Deputy Minister/Sous-ministre	2004-397
Hurtubise, Suzanne Department of Industry/Ministère de l'Industrie Deputy Minister/Sous-ministre	2004-408
Immigration and Refugee Board/Commission de l'immigration et du statut de réfugié Full-time Members/Membres à temps plein Avrich-Skapinker, Mindy Mouammar, Khaled L. Thibodeau, Jo-Anne Mariette	2004-394
Jacques, Denis Superior Court for the District of Quebec in the Province of Quebec/Cour supérieure pour le district de Québec dans la province de Québec Puisne Judge/Juge puîné	2004-393
Peterson, Susan Department of Canadian Heritage/Ministère du Patrimoine canadien Associate Deputy Minister/Sous-ministre délégué	2004-406
Tining, Suzanne Department of Indian Affairs and Northern Development/Ministère des Affaires indiennes et du Nord canadien Associate Deputy Minister/Sous-ministre délégué	2004-404
Villiard, Jean-Claude Privy Council Office/Bureau du Conseil privé Senior Advisor/Conseiller supérieur	2004-407
Watson, Samy Department of the Environment/Ministère de l'Environnement Deputy Minister/Sous-ministre	2004-409

April 22, 2004

Le 22 avril 2004

JACQUELINE GRAVELLE
Manager

[18-1-o]

La gestionnaire
JACQUELINE GRAVELLE

[18-1-o]

DEPARTMENT OF INDUSTRY**BOARDS OF TRADE ACT***Chambre de commerce de Denis-Riverin*

Notice is hereby given that Her Excellency the Governor General in Council, by Order in Council dated March 8, 2004, has been pleased to change the name of the *Chambre de commerce de Denis-Riverin* to *Chambre de commerce de la Haute-Gaspésie* upon petition made therefor under section 39 of the *Boards of Trade Act*.

April 13, 2004

AÏSSA AOMARI
Director
Incorporation and Disclosure
Services Directorate
For the Minister of Industry

[18-1-o]

MINISTÈRE DE L'INDUSTRIE**LOI SUR LES CHAMBRES DE COMMERCE***Chambre de commerce de Denis-Riverin*

Avis est par les présentes donné qu'il a plu à Son Excellence la Gouverneure générale en conseil d'autoriser, en vertu de l'article 39 de la *Loi sur les chambres de commerce*, le changement de nom de la *Chambre de commerce de Denis-Riverin* en celui de *Chambre de commerce de la Haute-Gaspésie*, tel qu'il est constaté dans un arrêté en conseil en date du 8 mars 2004.

Le 13 avril 2004

Le directeur
Direction des services de constitution
et de diffusion d'information
AÏSSA AOMARI
Pour la ministre de l'Industrie

[18-1-o]

DEPARTMENT OF INDUSTRY**BOARDS OF TRADE ACT***Chambre de commerce de la Vallée de St-Sauveur*

Notice is hereby given that Her Excellency the Governor General in Council, by Order in Council dated February 24, 2004, has been pleased to change the name of the Chambre de commerce de la Vallée de St-Sauveur to Chambre de commerce et de tourisme de la Vallée de St-Sauveur upon petition made therefor under section 39 of the *Boards of Trade Act*.

April 13, 2004

AÏSSA AOMARI
Director
Incorporation and Disclosure
Services Directorate
 For the Minister of Industry

[18-1-o]

DEPARTMENT OF INDUSTRY**BOARDS OF TRADE ACT***La Chambre de commerce de la Vallée-du-Richelieu*

Notice is hereby given that Her Excellency the Governor General in Council, by Order in Council dated February 24, 2004, has been pleased to change the name of La Chambre de commerce de la Vallée-du-Richelieu to La Chambre de commerce et de l'Industrie de la Vallée-du-Richelieu upon petition made therefor under section 39 of the *Boards of Trade Act*.

April 13, 2004

AÏSSA AOMARI
Director
Incorporation and Disclosure
Services Directorate
 For the Minister of Industry

[18-1-o]

DEPARTMENT OF INDUSTRY**BOARDS OF TRADE ACT***La Chambre de commerce de Saint-Laurent*

Notice is hereby given that Her Excellency the Governor General in Council, by Order in Council dated February 24, 2004, has been pleased to change the name of La Chambre de commerce de Saint-Laurent to Chambre de commerce et d'industrie de Saint-Laurent upon petition made therefor under section 39 of the *Boards of Trade Act*.

April 13, 2004

AÏSSA AOMARI
Director
Incorporation and Disclosure
Services Directorate
 For the Minister of Industry

[18-1-o]

MINISTÈRE DE L'INDUSTRIE**LOI SUR LES CHAMBRES DE COMMERCE***Chambre de commerce de la Vallée de St-Sauveur*

Avis est par les présentes donné qu'il a plu à Son Excellence la Gouverneure générale en conseil d'autoriser, en vertu de l'article 39 de la *Loi sur les chambres de commerce*, le changement de nom de la Chambre de commerce de la Vallée de St-Sauveur en celui de Chambre de commerce et de tourisme de la Vallée de St-Sauveur, tel qu'il est constaté dans un arrêté en conseil en date du 24 février 2004.

Le 13 avril 2004

Le directeur
Direction des services de constitution
et de diffusion d'information
 AÏSSA AOMARI
 Pour la ministre de l'Industrie

[18-1-o]

MINISTÈRE DE L'INDUSTRIE**LOI SUR LES CHAMBRES DE COMMERCE***La Chambre de commerce de la Vallée-du-Richelieu*

Avis est par les présentes donné qu'il a plu à Son Excellence la Gouverneure générale en conseil d'autoriser, en vertu de l'article 39 de la *Loi sur les chambres de commerce*, le changement de nom de La Chambre de commerce de la Vallée-du-Richelieu en celui de La Chambre de commerce et de l'Industrie de la Vallée-du-Richelieu, tel qu'il est constaté dans un arrêté en conseil en date du 24 février 2004.

Le 13 avril 2004

Le directeur
Direction des services de constitution
et de diffusion d'information
 AÏSSA AOMARI
 Pour la ministre de l'Industrie

[18-1-o]

MINISTÈRE DE L'INDUSTRIE**LOI SUR LES CHAMBRES DE COMMERCE***La Chambre de commerce de Saint-Laurent*

Avis est par les présentes donné qu'il a plu à Son Excellence la Gouverneure générale en conseil d'autoriser, en vertu de l'article 39 de la *Loi sur les chambres de commerce*, le changement de nom de La Chambre de commerce de Saint-Laurent en celui de Chambre de commerce et d'industrie de Saint-Laurent, tel qu'il est constaté dans un arrêté en conseil en date du 24 février 2004.

Le 13 avril 2004

Le directeur
Direction des services de constitution
et de diffusion d'information
 AÏSSA AOMARI
 Pour la ministre de l'Industrie

[18-1-o]

DEPARTMENT OF INDUSTRY**BOARDS OF TRADE ACT***La Chambre de commerce senior de St-Lin et Laurentides*

Notice is hereby given that Her Excellency the Governor General in Council, by Order in Council dated February 24, 2004, has been pleased to change the name of La Chambre de commerce senior de St-Lin et Laurentides to Chambre de commerce Saint-Lin-Laurentides upon petition made therefor under section 39 of the *Boards of Trade Act*.

April 13, 2004

AÏSSA AOMARI
Director
*Incorporation and Disclosure
Services Directorate*
For the Minister of Industry

[18-1-o]

DEPARTMENT OF INDUSTRY**BOARDS OF TRADE ACT***Chipman Chamber of Commerce*

Notice is hereby given that Her Excellency the Governor General in Council, by Order in Council dated February 24, 2004, has been pleased to change the name of the Chipman Chamber of Commerce to the Chipman and Area Chamber of Commerce and to change its boundaries to Hardwood Ridge, Salmon River, Young's Cove and Chipman, upon petition made therefor under sections 4 and 39 of the *Boards of Trade Act*.

April 13, 2004

AÏSSA AOMARI
Director
*Incorporation and Disclosure
Services Directorate*
For the Minister of Industry

[18-1-o]

DEPARTMENT OF INDUSTRY**CANADA CORPORATIONS ACT***Application for surrender of charter*

Notice is hereby given that, pursuant to the provisions of the *Canada Corporations Act*, an application for surrender of charter was received from

File Number N° de dossier	Name of Company Nom de la société	Received Reçu
416423-7	Alphajare Environmental Development Inc.	22/04/2004
345654-4	FONDATION TCHIMON	19/04/2004
327209-5	OTTAWA-CARLETON 2001 CANADA SUMMER GAMES BID COMMITTEE/ COMITE DE LA SOUMISSION D'OTTAWA-CARLETON POUR LES JEUX D'ETE DU CANADA EN 2001	06/04/2004
281387-4	OVERSEAS CANADIAN PROFESSIONAL SERVICES CORPORATION	08/04/2004

April 23, 2004

AÏSSA AOMARI
Director
*Incorporation and Disclosure
Services Directorate*
For the Minister of Industry

[18-1-o]

MINISTÈRE DE L'INDUSTRIE**LOI SUR LES CHAMBRES DE COMMERCE***La Chambre de commerce senior de St-Lin et Laurentides*

Avis est par les présentes donné qu'il a plu à Son Excellence la Gouverneure générale en conseil d'autoriser, en vertu de l'article 39 de la *Loi sur les chambres de commerce*, le changement de nom de La Chambre de commerce senior de St-Lin et Laurentides en celui de Chambre de commerce Saint-Lin-Laurentides, tel qu'il est constaté dans un arrêté en conseil en date du 24 février 2004.

Le 13 avril 2004

Le directeur
*Direction des services de constitution
et de diffusion d'information*
AÏSSA AOMARI

Pour la ministre de l'Industrie

[18-1-o]

MINISTÈRE DE L'INDUSTRIE**LOI SUR LES CHAMBRES DE COMMERCE***Chipman Chamber of Commerce*

Avis est par les présentes donné qu'il a plu à Son Excellence la Gouverneure générale en conseil d'autoriser, en vertu des articles 4 et 39 de la *Loi sur les chambres de commerce*, le changement de nom de la Chipman Chamber of Commerce en celui de Chipman and Area Chamber of Commerce et que les limites de son district soient changées de façon à correspondre à Hardwood Ridge, Salmon River, Young's Cove et Chipman, tel qu'il est constaté dans un arrêté en conseil en date du 24 février 2004.

Le 13 avril 2004

Le directeur
*Direction des services de constitution
et de diffusion d'information*
AÏSSA AOMARI

Pour la ministre de l'Industrie

[18-1-o]

MINISTÈRE DE L'INDUSTRIE**LOI SUR LES CORPORATIONS CANADIENNES***Demande d'abandon de charte*

Avis est par les présentes donné que, conformément aux dispositions de la *Loi sur les corporations canadiennes*, une demande d'abandon de charte a été reçue de :

Le 23 avril 2004

Le directeur
*Direction des services de constitution
et de diffusion d'information*
AÏSSA AOMARI

Pour la ministre de l'Industrie

[18-1-o]

DEPARTMENT OF INDUSTRY**CANADA CORPORATIONS ACT***Letters patent*

Notice is hereby given that, pursuant to the provisions of the *Canada Corporations Act*, letters patent have been issued to

MINISTÈRE DE L'INDUSTRIE**LOI SUR LES CORPORATIONS CANADIENNES***Lettres patentes*

Avis est par les présentes donné que, conformément aux dispositions de la *Loi sur les corporations canadiennes*, des lettres patentes ont été émises en faveur de :

File Number N° de dossier	Name of Company Nom de la compagnie	Head Office Siège social	Effective Date Date d'entrée en vigueur
422974-6	ACTION AGAPÉ	Lachine (Qué.)	25/03/2004
421391-2	AID2006 TORONTO CONFERENCE CONGRÈS DE TORONTO SIDA2006	Toronto, Ont.	30/12/2003
422753-1	All Dog Sports Club - Agility	Ottawa, Ont.	18/03/2004
422779-4	ALMONER FOUNDATION	Greater Vancouver, B.C.	18/03/2004
422550-3	Association des jeux des Maîtres d'Hiver et d'Été CA Winter and Summer Masters Games CA Association	Montréal (Qué.)	04/03/2004
423106-6	BANFF TELEVISION FESTIVAL FOUNDATION	Municipality of Canmore, Alta.	01/04/2004
422514-7	Blind Bowls Association of Canada	Kitchener, Ont.	02/03/2004
422616-7	BREAD MUSEUM - MUSEE DU PAIN	Montréal, Que.	10/03/2004
422977-1	CANADA INDONESIA CHAMBER OF COMMERCE (CICC)	Ottawa, Ont.	25/03/2004
422629-1	CANADA MASONRY DESIGN CENTRE	Mississauga, Regional Municipality of Peel, Ont.	10/03/2004
422619-4	CANADIAN AGRO SUSTAINABILITY PARTNERSHIP INC.	Charlottetown, P.E.I.	10/03/2004
422776-0	CANADIAN ASSOCIATION FOR AVIATION AND SPACE IN ISRAEL	Toronto, Ont.	19/03/2004
422592-9	CANADIAN BRACHYTHERAPY GROUP / GROUPE CANADIEN DE CURIETHÉRAPIE	Ottawa, Ont.	09/03/2004
422526-1	CANADIAN DENTAL REGULATORY AUTHORITIES FEDERATION/ FÉDÉRATION CANADIENNE DES ORGANISMES DE RÉGLEMENTATION DENTAIRE	Fredericton, N.B.	03/03/2004
422021-8	Canadian Recreation Facilities Council	Regina, Sask.	05/02/2004
423111-2	CANADIAN RESEARCH KNOWLEDGE NETWORK/ RÉSEAU CANADIEN DE DOCUMENTATION DE RECHERCHE	Ottawa, Ont.	01/04/2004
422645-3	CHURCH OF CEU DE TORONTO (ECLECTIC CENTER FOR THE UNIVERSAL FLOWING LIGHT)	Toronto, Ont.	11/03/2004
422700-0	Climate Action Network Canada - Réseau Action Climat Canada	Ottawa, Ont.	01/04/2004
422525-2	CONTRÔLE DE LA GESTION DU PATRIMOINE IMMOBILIER « C.G.P.I. - BADIMU »	Ottawa (Ont.)	03/03/2004
422543-1	CORE HOMELESS ASSOCIATION	North Bay, Ont.	04/03/2004
422511-2	Council of Russian-Speaking Canadians	Toronto, Ont.	02/03/2004
422591-1	CRANE LAKE DISCOVERY CAMP	Regional Municipality of Waterloo, Ont.	09/03/2004
422625-9	CROSSWAY BIBLE CHURCH	Town of Markham, Regional Municipality of York, Ont.	10/03/2004
422459-1	CUTC Foundation Inc. Fondation CUTC Inc.	Toronto, Ont.	26/02/2004
422631-3	ENSEMBLE FUSIONS	Montréal (Qué.)	10/03/2004
422145-1	FONDATION DES NOUVEAUX-NÉS AJUSTÉS MONDIALEMENT	Sherbrooke (Qué.)	11/02/2004
422517-1	NEW BORN AJUSTED WORLDWIDE FOUNDATION Fondation pour une bibliothèque globale/ Global Library Foundation	Saint-Pascal (Qué.)	02/03/2004
421941-4	HAMILTON WATERFRONT TRUST	City of Hamilton, Ont.	28/01/2004
422652-6	HELPING FOR A UNITED GOOD	Ottawa, Ont.	11/03/2004
422794-8	HUDSON BAY NEIGHBOURS REGIONAL ROUNDTABLE	Town of Churchill, Man.	22/03/2004
422576-7	Human Endeavour Incorporation	Woodbridge, Ont.	05/03/2004
422510-4	INVESTORSIDE RESEARCH ASSOCIATION CANADA	Toronto, Ont.	27/02/2004
422777-8	KIDS WITH A CAUSE CORP.	Toronto, Ont.	19/03/2004
418254-5	Kitchener Gospel Temple	Kitchener, Ont.	06/08/2003
422748-4	LA FONDATION LILIANA KOMOROWSKA POUR LES ARTS/ LILIANA KOMOROWSKA FOUNDATION FOR THE ARTS	Montréal (Qué.)	18/03/2004
422806-5	LA FONDATION ST-PIERRE INC.	Caraquet (N.-B.)	23/03/2004

File Number N° de dossier	Name of Company Nom de la compagnie	Head Office Siège social	Effective Date Date d'entrée en vigueur
422792-1	LIFELINE CHRISTIAN CENTRE	City of St. Catharines, Regional Municipality of Niagara, Ont.	22/03/2004
422477-9	MUSEUM LONDON FOUNDATION	London, Ont.	27/02/2004
421952-0	Nasir Women Association	Calgary, Alta.	05/03/2004
422441-8	Non Resident Indian Society of North America Incorporated	Mississauga, Ont.	25/02/2004
422742-5	OLIVE TREE FOUNDATION	Toronto, Ont.	17/03/2004
422778-6	PRESCIENT FOUNDATION	Greater Vancouver Regional District, B.C.	18/03/2004
422593-7	PRIMELINK AFFINITY ASSOCIATION OF CANADA	Burlington, Regional Municipality of Hamilton-Wentworth, Ont.	09/03/2004
422574-1	Robert M. DeJager Foundation Inc.	Georgetown, Ont.	05/03/2004
422513-9	ROTAAbility Society	Hawkesbury, Ont.	02/03/2004
422681-0	ROTAPLAST CANADA INC.	Kelowna, B.C.	11/03/2004
421570-2	Shelterbox Canada	Ladysmith, B.C.	11/03/2004
422680-1	SHOWCAN	Greater Vancouver Regional District, B.C.	11/03/2004
422644-5	SPONSORSHIP MARKETING COUNCIL OF CANADA CONSEIL CANADIEN SUR LA COMMANDITE	Toronto, Ont.	11/03/2004
421415-3	Spread the Fire Ministries	Toronto, Ont.	23/12/2003
422767-1	St'át'imc Restorative Justice Project Corporation	St'át'imc Nation, B.C.	19/03/2004
422026-9	STUDENTS BUILDING SCHOOLS (SBS) INC.	Winnipeg, Man.	05/02/2004
422547-3	T.N. COMPASSION ORGANIZATION	Gatineau (Qué.)	04/03/2004
421824-8	TEJA'S ANIMAL REFUGE	Glen Robertson, Ont.	21/01/2004
420915-0	The Americas Transactional Analysis Association (ATAA)	Halifax, N.S.	12/12/2003
422678-0	THE CANADIAN SUNSHINE KIDS FOUNDATION	Village of Lakeview, Ont.	12/03/2004
421180-4	THE COOK-REES MEMORIAL FUND FOR WATER SEARCH AND SAFETY	Stratford, Ont.	18/12/2003
422621-6	The Otesha Project	Ottawa, Ont.	10/03/2004
422624-1	THE RMC Legacy Fund / les fonds Héritage du RMC	City of Kingston, Ont.	10/03/2004
422537-6	The Snowboarder's Guild of Canada	Town of Churchill, Ont.	04/03/2004
422562-7	TOWN YOUTH PARTICIPATION STRATEGIES	Smith Falls, Ont.	05/03/2004
422672-1	UMAN FOUNDATION INC./FONDATION UMAN INC.	Ottawa, Ont.	12/03/2004
422294-6	Yemeni-Canadian Relations Council	Calgary, Alta.	19/02/2004

April 23, 2004

Le 23 avril 2004

AÏSSA AOMARI
Director
Incorporation and Disclosure
Services Directorate
For the Minister of Industry

Le directeur
Direction des services de constitution
et de diffusion d'information
AÏSSA AOMARI
Pour la ministre de l'Industrie

[18-1-o]

[18-1-o]

DEPARTMENT OF INDUSTRY**MINISTÈRE DE L'INDUSTRIE**

CANADA CORPORATIONS ACT

LOI SUR LES CORPORATIONS CANADIENNES

*Special act company**Loi spéciale*

Notice is hereby given that an Order has been issued under the seal of the Minister of Industry to provide St. Mary's River Bridge Company with a French form of its name as follows: Société du pont de la rivière Ste Marie, corporation number 013911-4.

Avis est par les présentes donné qu'un décret a été émis sous le sceau d'office de la ministre de l'Industrie à la St. Mary's River Bridge Company, ajoutant la version française à son nom corporatif qui se lit comme suit : Société du pont de la rivière Ste Marie, numéro corporatif 013911-4.

April 8, 2004

Le 8 avril 2004

ROBERT WEIST
Director
Incorporation and Disclosure
Services Directorate
For the Minister of Industry

Le directeur
Direction des services de constitution
et de diffusion d'information
ROBERT WEIST
Pour la ministre de l'Industrie

[18-1-o]

[18-1-o]

DEPARTMENT OF INDUSTRY**CANADA CORPORATIONS ACT***Supplementary letters patent*

Notice is hereby given that, pursuant to the provisions of the *Canada Corporations Act*, supplementary letters patent have been issued to

File Number N° de dossier	Company Name Nom de la compagnie	Date of S.L.P. Date de la L.P.S.
421992-9	DKE Foundation	29/03/2004
419277-0	Fondation québécoise de la santé Reiki	10/03/2004
315859-4	GLOBAL DEVELOPMENT GROUP	26/02/2004
338344-0	NALANDABODHI FOUNDATION	26/02/2004
419523-0	OTTAWA COMMUNITY ICE PARTNERS	04/03/2004
410600-8	RIVER'S EDGE COMMUNITY CHURCH INC./ ÉGLISE COMMUNAUTAIRE DE LA RIVE INC.	02/03/2004

April 23, 2004

AÏSSA AOMARI
Director
Incorporation and Disclosure
Services Directorate
For the Minister of Industry
[18-1-o]

MINISTÈRE DE L'INDUSTRIE**LOI SUR LES CORPORATIONS CANADIENNES***Lettres patentes supplémentaires*

Avis est par les présentes donné que, conformément aux dispositions de la *Loi sur les corporations canadiennes*, des lettres patentes supplémentaires ont été émises en faveur de :

Le 23 avril 2004

Le directeur
Direction des services de constitution
et de diffusion d'information
AÏSSA AOMARI
Pour la ministre de l'Industrie
[18-1-o]

DEPARTMENT OF INDUSTRY**CANADA CORPORATIONS ACT***Supplementary letters patent — Name change*

Notice is hereby given that, pursuant to the provisions of the *Canada Corporations Act*, supplementary letters patent have been issued to

File Number N° de dossier	Old Company Name Ancien nom de la compagnie	New Company Name Nouveau nom de la compagnie	Date of S.L.P. Date de la L.P.S.
415569-6	ASSOCIATION DE LANGUE AILIA/ AILIA LANGUAGE ASSOCIATION	AILIA LANGUAGE INDUSTRY ASSOCIATION/ ASSOCIATION DE L'INDUSTRIE DE LA LANGUE AILIA	26/02/2004
304246-4	Canadian Centre for Quality Education and Opportunity/ Centre canadien pour une éducation de qualité et d'opportunité	Classroom Connections Learning Foundation	25/03/2004
119658-8	FONDATION GILBERTE ET BENOIT BENOIT	FONDATION FAMILLE BENOIT	01/03/2004
371763-1	United Latin-American Pentecostal Church Inc.	UNITED LATIN-AMERICAN PENTECOSTAL CHURCHES OF CANADA LES ÉGLISES PENTECÔTISTES UNIES LATINO- AMÉRICAINES DU CANADA	26/02/2004

April 23, 2004

AÏSSA AOMARI
Director
Incorporation and Disclosure
Services Directorate
For the Minister of Industry
[18-1-o]

Le 23 avril 2004

Le directeur
Direction des services de constitution
et de diffusion d'information
AÏSSA AOMARI
Pour la ministre de l'Industrie
[18-1-o]

DEPARTMENT OF INDUSTRY**RADIOCOMMUNICATION ACT***Notice No. SMSE-008-04 — Amendment of RSS-210*

Notice is hereby given that Industry Canada is amending Radio Standards Specification 210 (RSS-210), which sets out minimum requirements for the certification of low-power transmitters and receivers.

MINISTÈRE DE L'INDUSTRIE**LOI SUR LA RADIOCOMMUNICATION***Avis n° SMSE-008-04 — Modification du CNR-210*

Avis est par la présente donné qu'Industrie Canada modifie le Cahier des charges sur les normes radioélectriques 210 (CNR-210), qui prescrit les exigences minimales requises pour la certification d'émetteurs et de récepteurs de faible puissance.

The document is amended to permit the certification of FRS (Family Radio Service) devices that make use of the emission types F1D and F2D. Some editorial changes of a general nature are also included. Presently, the requirements for FRS devices are found in Section 6.2.2(L2.1) of RSS-210, Issue 5. For convenience, all the requirements of that Section are presented in the amended version. Should there be disagreement between existing text of Section 6.2.2(L2.1) of RSS-210, Issue 5 and the amended version, the amended version shall take precedence. The amended version is:

Radio Standards Specification 210 (RSS-210), Issue 5, Amendment 3, *RSS-210 Issue 5, Amendment No. 3: Family Radio Service (FRS) Devices*

General information

The above document will come into force as of the date of publication of this notice.

The document has been coordinated with the Radio Advisory Board of Canada (RABC).

The Radio Equipment Technical Standards Lists will be amended to reflect the above change.

Any inquiries regarding this notice should be directed to the Manager, Radio Equipment Standards, (613) 990-4699 (telephone), (613) 991-3961 (facsimile), res.nmr@ic.gc.ca (electronic mail).

Interested parties should submit their comments within 90 days of the date of publication of this notice. Shortly after the close of the comment period, all comments received will be posted on Industry Canada's Spectrum Management and Telecommunications Web site at <http://strategis.gc.ca/spectrum>.

Submitting comments

Respondents are requested to provide their comments in electronic format (WordPerfect, Microsoft Word, Adobe PDF or ASCII TXT) to the following e-mail address: res.nmr@ic.gc.ca, along with a note specifying the software, version number and operating system used.

Written submissions should be addressed to the Director General, Spectrum Engineering, 300 Slater Street, Ottawa, Ontario, Canada K1A 0C8.

All submissions should cite the *Canada Gazette*, Part I, the publication date, the title, and the notice reference number (SMSE-008-04).

Obtaining copies

Copies are available electronically on the Spectrum Management and Telecommunications Web site at <http://strategis.gc.ca/spectrum>. Note that the above-mentioned documents and the Radio Equipment Technical Standards Lists are also available on the same Web site.

Official printed copies can be obtained from the *Canada Gazette* Web site at <http://canadagazette.gc.ca/subscription-e.html> or by calling the sales counter of Canadian Government Publishing at (613) 941-5995 or 1-800-635-7943.

April 23, 2004

R. W. McCAUGHERN
Director General
Spectrum Engineering

[18-1-o]

Ce document a été modifié afin de permettre la certification de dispositifs FRS (service radio familial) qui utilisent les types d'émissions F1D et F2D. Des modifications éditoriales d'ordre général sont aussi incluses. Les exigences relatives aux dispositifs FRS se trouvent actuellement dans la section 6.2.2(L2.1) du CNR-210, 5^e édition. Pour des raisons de commodité, la version modifiée comprend la totalité des exigences de cette section. En cas de divergence entre le libellé actuel de la section 6.2.2(L2.1) du CNR-210, 5^e édition, et de la version modifiée, la version modifiée a préséance. Celle-ci est :

Cahier des charges sur les normes radioélectriques 210 (CNR-210), 5^e édition, 3^e modification, *CNR-210 5^e édition, 3^e modification : Dispositifs du FRS (service radio familial)*

Information générale

Le document susmentionné entrera en vigueur à la date de publication de cet avis.

Ce document a fait l'objet d'une coordination avec le Conseil consultatif canadien de la radio (CCCR).

Des modifications seront apportées aux Listes des normes applicables au matériel radio afin de refléter le changement susmentionné.

Toute question sur cet avis devrait être adressée au Gestionnaire, Normes du matériel radioélectrique, (613) 990-4699 (téléphone), (613) 991-3961 (télécopieur), res.nmr@ic.gc.ca (courriel).

Les intéressés peuvent présenter leurs observations en deçà de 90 jours de la date de publication du présent avis. Peu après la clôture de la période de commentaires, toutes les observations reçues seront affichées sur le site Web Gestion du spectre et télécommunications à l'adresse <http://strategis.gc.ca/spectre>.

Présentation des commentaires

Les intéressés sont invités à envoyer leurs commentaires sous forme électronique (Wordperfect, Microsoft Word, Adobe PDF ou ASCII TXT) à l'adresse suivante : res.nmr@ic.gc.ca. Les documents doivent être accompagnés d'une note précisant le logiciel, la version du logiciel et le système d'exploitation utilisés.

Les commentaires écrits doivent être adressés au Directeur général, Génie du spectre, 300, rue Slater, Ottawa (Ontario), Canada K1A 0C8.

Tous les commentaires doivent citer la Partie I de la *Gazette du Canada*, la date de publication, le titre et le numéro de référence de l'avis (SMSE-008-04).

Pour obtenir des copies

Les copies des documents susmentionnés sont disponibles sur le site Web Gestion du spectre et télécommunications à l'adresse <http://strategis.gc.ca/spectre>. Veuillez noter que les Listes des normes applicables au matériel radio sont aussi disponibles sur ce site Web.

On peut obtenir la version imprimée officielle du présent avis à partir du site Web de la *Gazette du Canada* à l'adresse <http://canadagazette.gc.ca/subscription-f.html> ou en communiquant avec le comptoir des ventes des Éditions du gouvernement du Canada au (613) 941-5995 ou au 1 800 635-7943.

Le 23 avril 2004

Le directeur général
Génie du spectre
R. W. McCAUGHERN

[18-1-o]

**DEPARTMENT OF PUBLIC SAFETY AND
EMERGENCY PREPAREDNESS**

CRIMINAL CODE

Designation as fingerprint examiner

Pursuant to subsection 667(5) of the *Criminal Code*, I hereby designate the following persons of the Ottawa Police Service as Fingerprint Examiners:

Chris Kiez
Shawn Rainville
Natalie Elder

Ottawa, April 7, 2004

MARGARET BLOODWORTH
Deputy Solicitor General of Canada

[18-1-o]

**MINISTÈRE DE LA SÉCURITÉ PUBLIQUE ET DE LA
PROTECTION CIVILE**

CODE CRIMINEL

Désignation à titre d'inspecteur d'empreintes digitales

En vertu du paragraphe 667(5) du *Code criminel*, je nomme par la présente les personnes suivantes du service de police d'Ottawa à titre d'inspecteurs d'empreintes digitales :

Chris Kiez
Shawn Rainville
Natalie Elder

Ottawa, le 7 avril 2004

La sous-solliciteure générale du Canada
MARGARET BLOODWORTH

[18-1-o]

BANQUE DU CANADA

Bilan au 14 avril 2004

ACTIF		PASSIF ET CAPITAL	
Dépôts en devises étrangères		Billets de banque en circulation	39 792 929 143 \$
Devises américaines	279 570 249 \$	Dépôts	
Autres devises	<u>9 112 154</u>	Gouvernement du Canada	1 210 906 163 \$
	288 682 403 \$	Banques	45 846 073
Avances		Aux membres de l'Association canadienne des paiements	3 841 072
Aux membres de l'Association canadienne des paiements		Autres	<u>346 485 784</u>
Aux gouvernements			1 607 079 092
Placements*		Passif en devises étrangères	
(à la valeur comptable nette)		Gouvernement du Canada	144 993 923
Bons du Trésor du Canada	11 223 185 101	Autres	<u>144 993 923</u>
Autres valeurs mobilières émises ou garanties par le Canada, échéant dans les trois ans	8 731 405 564	Autres éléments du passif	
Autres valeurs mobilières émises ou garanties par le Canada, échéant dans plus de trois ans mais dans au plus cinq ans	5 758 789 656	Titres vendus dans le cadre de conventions de rachat	
Autres valeurs mobilières émises ou garanties par le Canada, échéant dans plus de cinq ans mais dans au plus dix ans	9 453 194 333	Tous les autres éléments du passif	<u>439 136 921</u>
Autres valeurs mobilières émises ou garanties par le Canada, échéant dans plus de dix ans	5 838 064 200		439 136 921
Autres bons		Capital	
Autres placements	<u>2 633 197</u>	Capital-actions	5 000 000
	41 007 272 051	Réserve légale	<u>25 000 000</u>
Immeubles de la Banque	128 469 868		30 000 000
Autres éléments de l'actif			
Titres achetés dans le cadre de conventions de revente			
Tous les autres éléments de l'actif	<u>589 714 757</u>		
	589 714 757		
	<u>42 014 139 079 \$</u>		<u>42 014 139 079 \$</u>

***NOTA**

Le total inclut la valeur nominale totale des titres d'État empruntés des placements de la Banque.

Je déclare que l'état ci-dessus est exact, au vu des livres de la Banque.

Ottawa, le 15 avril 2004

Je déclare que l'état ci-dessus est exact, à ma connaissance, et qu'il montre fidèlement et clairement la situation financière de la Banque, en application de l'article 29 de la *Loi sur la Banque du Canada*.

Ottawa, le 15 avril 2004

Le comptable en chef suppléant
W. D. SINCLAIR

Le premier sous-gouverneur
W. P. JENKINS

BANK OF CANADA

Balance Sheet as at April 21, 2004

ASSETS		LIABILITIES AND CAPITAL	
Deposits in foreign currencies		Bank notes in circulation.....	
U.S. dollars.....	\$ 279,931,904		\$ 39,556,927,909
Other currencies	<u>9,105,954</u>	Deposits	
	\$ 289,037,858	Government of Canada	\$ 1,663,305,953
Advances		Banks.....	47,241,663
To members of the Canadian		Other members of the Canadian	
Payments Association.....		Payments Association.....	2,289,221
To Governments.....		Other	<u>342,216,167</u>
			2,055,053,004
Investments*		Liabilities in foreign currencies	
(at amortized values)		Government of Canada	143,924,465
Treasury bills of Canada.....	11,333,350,395	Other	<u>143,924,465</u>
Other securities issued or guaranteed		Other liabilities	
by Canada maturing within three		Securities sold under	
years	8,731,601,043	repurchase agreements.....	
Other securities issued or guaranteed		All other liabilities	<u>373,279,047</u>
by Canada maturing in over three			373,279,047
years but not over five years.....	5,758,706,019	Capital	
Other securities issued or guaranteed		Share capital	5,000,000
by Canada maturing in over five		Statutory reserve	<u>25,000,000</u>
years but not over ten years	9,453,212,787		30,000,000
Other securities issued or guaranteed			
by Canada maturing in over ten			
years	5,837,919,197		
Other bills			
Other investments.....	<u>2,633,197</u>		
	41,117,422,638		
Bank premises	128,566,205		
Other assets			
Securities purchased under resale			
agreements			
All other assets	<u>624,157,724</u>		
	624,157,724		
	\$ 42,159,184,425		\$ 42,159,184,425

***NOTE**

Total par value included in Government bonds loaned from the Bank's investments.

\$

I declare that the foregoing return is correct according to the books of the Bank.

I declare that the foregoing return is to the best of my knowledge and belief correct, and shows truly and clearly the financial position of the Bank, as required by section 29 of the *Bank of Canada Act*.

Ottawa, April 22, 2004

Ottawa, April 22, 2004

W. D. SINCLAIR
Acting Chief Accountant

W. P. JENKINS
Senior Deputy Governor

BANQUE DU CANADA

Bilan au 21 avril 2004

ACTIF		PASSIF ET CAPITAL	
Dépôts en devises étrangères		Billets de banque en circulation	39 556 927 909 \$
Devises américaines	279 931 904 \$	Dépôts	
Autres devises	<u>9 105 954</u>	Gouvernement du Canada	1 663 305 953 \$
	289 037 858 \$	Banques	47 241 663
Avances		Aux membres de l'Association canadienne des paiements	2 289 221
Aux membres de l'Association canadienne des paiements		Autres	<u>342 216 167</u>
Aux gouvernements			2 055 053 004
Placements*		Passif en devises étrangères	
(à la valeur comptable nette)		Gouvernement du Canada	143 924 465
Bons du Trésor du Canada	11 333 350 395	Autres	<u>143 924 465</u>
Autres valeurs mobilières émises ou garanties par le Canada, échéant dans les trois ans	8 731 601 043	Autres éléments du passif	
Autres valeurs mobilières émises ou garanties par le Canada, échéant dans plus de trois ans mais dans au plus cinq ans	5 758 706 019	Titres vendus dans le cadre de conventions de rachat	
Autres valeurs mobilières émises ou garanties par le Canada, échéant dans plus de cinq ans mais dans au plus dix ans	9 453 212 787	Tous les autres éléments du passif	<u>373 279 047</u>
Autres valeurs mobilières émises ou garanties par le Canada, échéant dans plus de dix ans	5 837 919 197		373 279 047
Autres bons		Capital	
Autres placements	<u>2 633 197</u>	Capital-actions	5 000 000
	41 117 422 638	Réserve légale	<u>25 000 000</u>
Immeubles de la Banque	128 566 205		30 000 000
Autres éléments de l'actif			
Titres achetés dans le cadre de conventions de revente			
Tous les autres éléments de l'actif	<u>624 157 724</u>		
	624 157 724		
	<u>42 159 184 425 \$</u>		<u>42 159 184 425 \$</u>

***NOTA**

Le total inclut la valeur nominale totale des titres d'État empruntés des placements de la Banque.

Je déclare que l'état ci-dessus est exact, au vu des livres de la Banque.

Ottawa, le 22 avril 2004

Je déclare que l'état ci-dessus est exact, à ma connaissance, et qu'il montre fidèlement et clairement la situation financière de la Banque, en application de l'article 29 de la *Loi sur la Banque du Canada*.

Ottawa, le 22 avril 2004

Le comptable en chef suppléant
W. D. SINCLAIR

Le premier sous-gouverneur
W. P. JENKINS

PARLIAMENT**HOUSE OF COMMONS**

Third Session, Thirty-Seventh Parliament

PRIVATE BILLS

Standing Order 130 respecting notices of intended applications for private bills was published in the *Canada Gazette*, Part I, on January 31, 2004.

For further information, contact the Private Members' Business Office, House of Commons, Centre Block, Room 134-C, Ottawa, Ontario K1A 0A6, (613) 992-6443.

WILLIAM C. CORBETT
Clerk of the House of Commons

ROYAL ASSENT

Thursday, April 22, 2004

On Thursday, April 22, 2004, Her Excellency the Governor General signified assent in Her Majesty's name to the Bills listed below.

Assent was signified by written declaration, pursuant to the *Royal Assent Act*, S.C. 2002, c. 15. Section 5 of that Act provides that each Act "... is deemed to be assented to on the day on which the two Houses of Parliament have been notified of the declaration."

The Senate was notified of the written declaration on Thursday, April 22, 2004.

The House of Commons was notified of the written declaration on Thursday, April 22, 2004.

An Act to establish the Library and Archives of Canada, to amend the Copyright Act and to amend certain Acts in consequence
(Bill C-8, Chapter 11, 2004)

An Act to amend the Criminal Code and other Acts
(Bill C-14, Chapter 12, 2004)

PAUL C. BÉLISLE
*Clerk of the Senate and
Clerk of the Parliaments*

[18-1-o]

CHIEF ELECTORAL OFFICER**CANADA ELECTIONS ACT**

Amendments to Schedule 2 to the Canada Elections Act

Pursuant to subsection 46(2) of the *Canada Elections Act* (S.C. 2000, c. 9), notice is hereby given that Schedule 2 to the said Act is amended by adding the following source of information under the heading "Other Sources of Information":

Info-directTM for Alberta

April 15, 2004

JEAN-PIERRE KINGSLEY
Chief Electoral Officer

[18-1-o]

PARLEMENT**CHAMBRE DES COMMUNES**

Troisième session, trente-septième législature

PROJETS DE LOI D'INTÉRÊT PRIVÉ

L'article 130 du Règlement relatif aux avis de demande de projets de loi d'intérêt privé a été publié dans la Partie I de la *Gazette du Canada* du 31 janvier 2004.

Pour obtenir d'autres renseignements, prière de communiquer avec le Bureau des affaires émanant des députés, Chambre des communes, Édifice du Centre, Pièce 134-C, Ottawa (Ontario) K1A 0A6, (613) 992-6443.

Le greffier de la Chambre des communes
WILLIAM C. CORBETT

SANCTION ROYALE

Le jeudi 22 avril 2004

Le jeudi 22 avril 2004, Son Excellence la Gouverneure générale a accordé la sanction royale au nom de Sa Majesté aux projets de loi mentionnés ci-dessous.

La sanction a été octroyée par déclaration écrite, conformément à la *Loi sur la sanction royale*, L.C. 2002, ch. 15. Aux termes de l'article 5 de cette loi, « la déclaration écrite porte sanction royale le jour où les deux chambres du Parlement en ont été avisées ».

Le Sénat a été informé de la déclaration écrite le jeudi 22 avril 2004.

La Chambre des communes a été informée de la déclaration écrite le jeudi 22 avril 2004.

Loi constituant Bibliothèque et Archives du Canada, modifiant la Loi sur le droit d'auteur et modifiant certaines lois en conséquence
(Projet de loi C-8, Chapitre 11, 2004)

Loi modifiant le Code criminel et d'autres lois
(Projet de loi C-14, Chapitre 12, 2004)

*Le greffier du Sénat et
greffier des Parlements*
PAUL C. BÉLISLE

[18-1-o]

DIRECTEUR GÉNÉRAL DES ÉLECTIONS**LOI ÉLECTORALE DU CANADA**

Modifications à l'annexe 2 de la Loi électorale du Canada

Conformément au paragraphe 46(2) de la *Loi électorale du Canada* (L.C. 2000, ch. 9), avis est par les présentes donné que l'annexe 2 de ladite loi est modifiée par l'ajout de la source de renseignements suivante sous la rubrique « Autres sources de renseignements » :

Info-directTM pour l'Alberta

Le 15 avril 2004

Le directeur général des élections
JEAN-PIERRE KINGSLEY

[18-1-o]

CHIEF ELECTORAL OFFICER

CANADA ELECTIONS ACT

Consolidation of amendments to the Canada Elections Act, correction and reprinting of forms and instructions affected by the amendments

Pursuant to subsection 554(2) of the *Canada Elections Act* (S.C. 2000, c. 9), notice is hereby given that the amendments to the said Act brought about by *An Act to amend the Canada Elections Act and the Income Tax Act (political financing)* [S.C. 2003, c. 19] have been consolidated in the copies of the Act printed for distribution to returning officers, and that all forms and instructions affected by the amending Act have been corrected and reprinted.

April 1, 2004

JEAN-PIERRE KINGSLEY
Chief Electoral Officer

[18-1-o]

DIRECTEUR GÉNÉRAL DES ÉLECTIONS

LOI ÉLECTORALE DU CANADA

Codifications des modifications apportées à la Loi électorale du Canada, correction et réimpression des formulaires et instructions touchés par les modifications

Conformément au paragraphe 554(2) de la *Loi électorale du Canada* (L.C. 2000, ch. 9), avis est par les présentes donné que les modifications apportées à la Loi par la *Loi modifiant la Loi électorale du Canada et la Loi de l'impôt sur le revenu (financement politique)* [L.C. 2003, ch. 19] ont été codifiées dans les exemplaires de la Loi imprimés pour distribution aux directeurs du scrutin et que les formulaires et instructions touchés par les modifications ont été corrigés et réimprimés.

Le 1^{er} avril 2004

Le directeur général des élections
JEAN-PIERRE KINGSLEY

[18-1-o]

COMMISSIONS**CANADA BORDER SERVICES AGENCY****SPECIAL IMPORT MEASURES ACT***Outdoor barbecues — Decision*

On April 13, 2004, pursuant to subsection 31(1) of the *Special Import Measures Act*, the President of the Canada Border Services Agency (CBSA) initiated an investigation into the alleged injurious dumping and subsidy of self-standing barbecues for outdoor use, consisting of metal lid, base and frame, fuelled by either propane or natural gas, with primary cooking space between 200 and 550 square inches (500 and 1 375 square centimetres), in assembled or knocked-down condition, originating in or exported from the People's Republic of China.

The goods in question are usually classified under the following Harmonized System classification number:

7321.11.90.30

The CBSA will conduct an investigation into the alleged dumping and subsidy. In addition, the Canadian International Trade Tribunal (Tribunal) will conduct a preliminary inquiry into the question of injury to the Canadian industry. The Tribunal will make a decision within 60 days of the date of initiation. If the Tribunal concludes that the evidence does not disclose a reasonable indication of injury, the investigation will be terminated.

Information

The statement of reasons regarding this decision will be issued within 15 days and will be available on the CBSA's Web site at <http://www.cbsa.gc.ca/sima> or by contacting either Ron McTiernan at (613) 954-7271, by electronic mail at Ronald.McTiernan@ccra-adrc.gc.ca, or Alison O'Leary at (613) 954-7268, by electronic mail at Alison.O'Leary@ccra-adrc.gc.ca or by facsimile at (613) 954-2510.

Representations

Interested persons are invited to file written submissions presenting facts, arguments and evidence relevant to the alleged dumping and subsidy. Written submissions should be forwarded to the Canada Border Services Agency, Anti-dumping and Countervailing Directorate, Central Registry, 191 Laurier Avenue W, 10th Floor, Ottawa, Ontario K1A 0L5. To be given consideration in this investigation, this information should be received by May 21, 2004.

Any information submitted by interested persons concerning this investigation will be considered public information unless clearly marked confidential. When a submission is marked confidential, a non-confidential edited version of the submission must also be provided.

Ottawa, April 13, 2004

SUZANNE PARENT
*Director General
Anti-dumping and Countervailing Directorate*

[18-1-o]

COMMISSIONS**AGENCE DES SERVICES FRONTALIERS DU CANADA****LOI SUR LES MESURES SPÉCIALES D'IMPORTATION***Barbecues pour l'extérieur — Décision*

Le 13 avril 2004, en vertu du paragraphe 31(1) de la *Loi sur les mesures spéciales d'importation*, le président de l'Agence des services frontaliers du Canada (ASFC) ouvrait une enquête sur les présumés dumping et subventionnement dommageables des barbecues autoportants à utiliser à l'extérieur, comprenant un couvercle, une base et un cadre en métal, au gaz propane ou au gaz naturel, ayant une surface de cuisson principale de 200 à 550 pouces carrés (500 à 1 375 centimètres carrés), montés ou démontés, originaires ou exportés de la République populaire de Chine.

Les marchandises en cause sont habituellement classées sous le numéro de classement suivant du Système harmonisé :

7321.11.90.30

L'ASFC mènera une enquête concernant les présumés dumping et subventionnement. En outre, le Tribunal canadien du commerce extérieur (Tribunal) entreprendra une enquête préliminaire sur la question de dommage causé à l'industrie canadienne. Il rendra une décision à cet égard dans les 60 jours suivant l'ouverture de l'enquête. Si le Tribunal conclut que les éléments de preuve n'indiquent pas, de façon raisonnable, qu'un dommage a été causé, l'enquête prendra fin.

Renseignements

L'énoncé des motifs portant sur cette décision sera disponible dans un délai de 15 jours sur le site Internet de l'ASFC à l'adresse <http://www.asfc.gc.ca/lmsi>. Il sera possible de s'en procurer une copie en communiquant avec Ron McTiernan par téléphone au (613) 954-7271 ou par courriel à l'adresse Ronald.McTiernan@ccra-adrc.gc.ca, ou avec Alison O'Leary par téléphone au (613) 954-7268, par courriel à l'adresse Alison.O'Leary@ccra-adrc.gc.ca ou par télécopieur au (613) 954-2510.

Observations

Les personnes intéressées sont invitées à soumettre par écrit tous les faits, arguments et éléments de preuve qu'elles jugent pertinents aux présumés dumping et subventionnement. Les exposés écrits doivent être envoyés à l'Agence des services frontaliers du Canada, Direction des droits antidumping et compensateurs, Centre de dépôt des documents, 191, avenue Laurier Ouest, 10^e étage, Ottawa (Ontario) K1A 0L5. Ces renseignements doivent parvenir à l'Agence avant le 21 mai 2004 afin d'être pris en considération dans le cadre de cette enquête.

Les renseignements présentés par les personnes intéressées aux fins de cette enquête seront considérés comme publics à moins qu'il ne soit clairement indiqué qu'ils sont confidentiels. Si l'exposé d'une personne intéressée contient des renseignements confidentiels, une version non confidentielle doit aussi être présentée.

Ottawa, le 13 avril 2004

*Le directeur général
Direction des droits antidumping et compensateurs*
SUZANNE PARENT

[18-1-o]

CANADA CUSTOMS AND REVENUE AGENCY**INCOME TAX ACT***Revocation of registration of charities*

Following a request from the charities listed below to have their status as a charity revoked, the following notice of proposed revocation was sent:

“Notice is hereby given, pursuant to paragraph 168(1)(a) of the *Income Tax Act*, that I propose to revoke the registration of the charities listed below and that by virtue of paragraph 168(2)(a) thereof, the revocation of the registration is effective on the date of publication of this notice in the *Canada Gazette*.”

Business Number Numéro d'entreprise	Name/Nom Address/Adresse
102988607RR0001	L'ASSOCIATION DU MANOIR BELLEFEUILLE INC., TRACADIE-SHEILA (N.-B.)
107306185RR0001	ENTRÉE LIBRE MAISON DE RESSOURCEMENT POUR EX-DÉTENUS, MONTRÉAL (QUÉ.)
107406316RR0003	NEW HOPE FELLOWSHIP (FREE METHODIST CHURCH), KITCHENER, ONT.
107498230RR0001	HUNTINGTON CONSERVATORY OF MUSIC, SUDBURY, ONT.
107761694RR0016	BOY SCOUTS OF CANADA POWELL RIVER DISTRICT COUNCIL, POWELL RIVER, B.C.
107951618RR0167	THE SALVATION ARMY PRINCE RUPERT HARBOUR LIGHT, PRINCE RUPERT, B.C.
118778695RR0001	AGNES MAULE MACHAR HOME INCORPORATED, KINGSTON, ONT.
118808989RR0001	BIG COUNTRY CHILDREN'S OUTREACH SOCIETY, DRUMHELLER, ALTA.
118830769RR0001	CANADIAN ECOLOGY ADVOCATES / CANADIENS POUR L'AVANCEMENT DE L'ÉCOLOGIE, GAGETOWN, N.B.
118857556RR0001	CHRISTIAN SCIENCE SOCIETY, HILLIER, ONT.
118858539RR0001	CHRISTMAS DADDIES FUND, MONCTON, N.B.
118876796RR0001	CORPORATION DU PATRIMOINE DE NICOLET, NICOLET (QUÉ.)
118879303RR0001	CRESCENT TOWN SENIORS CONGRESS, TORONTO, ONT.
118915149RR0001	FIDES CLUB EDUCATIONAL TRUST FUND, SASKATOON, SASK.
118929199RR0001	FOUNDATION FOR PROMOTION OF BILINGUAL EDUCATION-FONDATION POUR PROGRÈS DE L'ÉDUCATION BILINGUE, MONTRÉAL, QUE.
119024958RR0001	LOVE IN ACTION MINISTERIES, TORONTO, ONT.
119050193RR0001	MY FATHER'S HOUSE, KANATA, ONT.
119050490RR0001	NAMASKAR INC., CHERTSEY, QUE.
119064087RR0001	OAK FLATS FREE METHODIST CHURCH, VERONA, ONT.
119079770RR0001	PARISH OF ST. THOMAS BECKET INC., WINNIPEG, MAN.
119122778RR0031	PAROISSE DU CHRIST ROI, CORNWALL (ONT.)
119132884RR0001	SALEM FELLOWSHIP, LISTOWEL, ONT.
119142230RR0001	SCARBOROUGH CHRISTADELPHIAN ECCLESIA, SCARBOROUGH, ONT.
119170785RR0001	ST. CLARE'S MERCY HOSPITAL FOUNDATION, ST. JOHN'S, N.L.
119259422RR0001	THE TORONTO-DOMINION BANK CHARITABLE DONATIONS ACCOUNT, TORONTO, ONT.
119288918RR0843	CONGRÉGATION DES TÉMOINS DE JÉHOVAH DE NICOLET-OUEST (QUÉBEC), NICOLET (QUÉ.)
119288918RR1274	THE VIETNAMESE CONGREGATION OF JEHOVAH'S WITNESSES, VANCOUVER, VANCOUVER, B.C.

AGENCE DES DOUANES ET DU REVENU DU CANADA**LOI DE L'IMPÔT SUR LE REVENU***Annulation d'enregistrement d'organismes de bienfaisance*

À la suite d'une demande présentée par les organismes de bienfaisance indiqués ci-après, l'avis d'intention de révocation suivant a été envoyé :

« Avis est donné par les présentes que, conformément à l'alinéa 168(1)a) de la *Loi de l'impôt sur le revenu*, j'ai l'intention de révoquer l'enregistrement des organismes de bienfaisance mentionnés ci-dessous en vertu de l'alinéa 168(2)a) de cette Loi et que la révocation de l'enregistrement entre en vigueur à la publication du présent avis dans la *Gazette du Canada*. »

Business Number Numéro d'entreprise	Name/Nom Address/Adresse
119291730RR0001	WESLEY UNITED CHURCH, HOPEWELL, N.S.
120401880RR0001	LA P.A.U.S.E. CARREFOUR SANTÉ, LAVAL (QUÉ.)
129714564RR0001	GRACE VINEYARD CHRISTIAN FELLOWSHIP, CALGARY, ALTA.
130734700RR0001	PRINCETON DRUG & ALCOHOL COUNSELLING SOCIETY, PRINCETON, B.C.
130901986RR0002	FABRIQUE DE LA PAROISSE DE SAINT-PLACIDE, SAINT-PLACIDE (QUÉ.)
133889287RR0001	LA JOUJOUTHÈQUE HOCHELAGA-MAISONNEUVE INC., MONTRÉAL (QUÉ.)
135814192RR0001	ONTARIO TROWEL TRADES TRAINING FUND, MISSISSAUGA, ONT.
143778033RR0001	ÉCOSYST'AIME URBAIN, MONTRÉAL (QUÉ.)
860168731RR0001	LES ENFANTS DE MERLIN CENTRE D'ÉDUCATION ET DE RELATION D'AIDE POUR LES JEUNES, VERDUN (QUÉ.)
861623122RR0001	YEP YOUTH EMPLOYMENT PROJECT, VICTORIA, B.C.
865479414RR0001	INFINITY CHRISTIAN CHURCH, KELOWNA, B.C.
866409824RR0001	CHURCH OF CHRIST (DEWINTON) APOSTOLIC DISCIPLES, CALGARY, ALTA.
866580343RR0001	CENTRAL INTERIOR CREMATORIUM SOCIETY, WILLIAMS LAKE, B.C.
866780737RR0001	SWIFT CURRENT COMMUNITY HEALTH CARE RECRUITMENT AND RETENTION COMMITTEE INCORPORATED, SWIFT CURRENT, SASK.
867116477RR0001	UPPER LEVEL YOUTH CENTRE ASSOCIATION, RED DEER, ALTA.
867199549RR0001	HOMESTEAD COULEE BUS ASSOCIATION, HANNA, ALTA.
867706772RR0001	LES MÈRES-VEILLEUSES DE LAVAL, SAINTE-DOROTHÉE LAVAL (QUÉ.)
868635798RR0001	MARIAN MOVEMENT ANNAN INTERNATIONAL, WINDSOR, ONT.
868650789RR0001	CAMPBELLFORD POLAR DEN, CAMPBELLFORD, ONT.
869099291RR0001	GRACE FOUNDATION, CALGARY, ALTA.
871157624RR0001	THE PEKING OPERA SOCIETY OF RICHMOND, CANADA, RICHMOND, B.C.
872560792RR0001	PINK RIBBON VOICES - WOMEN LIVING WITH CANCER/LES VOIX DU RUBAN ROSE - LES FEMMES ET LE CANCER, OTTAWA, ONT.
873769756RR0001	AGNUS DEI MINISTERIES, KINGSTON, ONT.
876605361RR0001	INTERNATIONAL FACILITY MANAGEMENT ASSOCIATION CANADIAN FOUNDATION, TORONTO, ONT.
877574012RR0001	OFILMS, MONTRÉAL (QUÉ.)
878659812RR0001	VISION OF HOPE-CANADA, BADEN, ONT.
881189328RR0001	TZU CHI INSTITUTE FOR COMPLEMENTARY AND ALTERNATIVE MEDICINE, BURNABY, B.C.

Business Number Numéro d'entreprise	Name/Nom Address/Adresse
881296529RR0001	21ST CENTURY CREATIVE ARTS THEATRE SOCIETY, ARMSTRONG, B.C.
883347528RR0001	AUXILIAIRES BÉNÉVOLES DU CENTRE HOSPITALIER MALARTIC, MALARTIC (QUÉ.)
886782762RR0001	VANCOUVER CALVARY CHAPEL, VANCOUVER, B.C.
887453462RR0001	STERILISATION MINIMAL, WESTMOUNT, QUE.
887839462RR0001	INTERNATIONAL MOSLEM VOLUNTEER RELIEF SOCIETY (I.M.U.R.S.), VANCOUVER, B.C.
887966661RR0001	GREATER VICTORIA SCOUT FOUNDATION, VICTORIA, B.C.
888186376RR0001	WISE WOMEN'S SOCIETY OF ALBERTA, CALGARY, ALTA.
888206869RR0001	MOOSE JAW ART GUILD, MOOSE JAW, SASK.
888334265RR0001	ONTARIO CURLING HALL OF FAME INC., FERGUS, ONT.
888445798RR0001	THE NORTH SHORE GRIEF AND LOSS RESOURCE CENTRE SOCIETY, NORTH VANCOUVER, B.C.
888548823RR0001	CANADIAN FOUNDATION FOR COMPLEMENTARY AND ALTERNATIVE MEDICINE, BURNABY, B.C.
888641396RR0001	THE STROH TRUST FUND, MISSISSAUGA, ONT.
888792645RR0001	TORONTO DOMINION BANK EMPLOYEE'S CHARITABLE DONATIONS ACCOUNT, TORONTO, ONT.
888801149RR0001	SAUNDERS/MATTHEY FOUNDATION FOR BREAST CANCER RESEARCH, CHATHAM, ONT.
889102570RR0001	HOLY SPIRIT PARISH, CORONATION, ALTA.
889124376RR0001	ANTHURIUM FOUNDATION, KINGSTON, ONT.
889183521RR0001	THE CANADIAN EHLERS-DANLOS ASSOCIATION, BOLTON, ONT.
889507042RR0005	JEWISH WOMEN INTERNATIONAL FOUNDATION OF QUEEN CITY CHAPTER, DOWNSVIEW, ONT.
889684429RR0001	CHRIST THE GOOD SHEPHERD LUTHERAN CHURCH, PRINCETON, B.C.

MAUREEN KIDD
Director General
Charities Directorate

[18-1-o]

Business Number Numéro d'entreprise	Name/Nom Address/Adresse
889800041RR0001	LES AUXILIAIRES BÉNÉVOLES DE L'HÔPITAL MARIE ENFANT, MONTRÉAL (QUÉ.)
890197999RR0001	DISTRICT NO. 16 MUSIC FESTIVAL ASSOCIATION, MIRAMICHI, N.B.
890430465RR0001	FABRIQUE DE LA PAROISSE DE NOTRE-DAME-DU-SACRÉ-CŒUR, BROSSARD (QUÉ.)
890468242RR0001	209109 SASKATCHEWAN INC., REGINA, SASK.
890683618RR0001	LES HÉBERGEMENTS LA STATION INC., VAUDREUIL-DORION (QUÉ.)
891208746RR0001	TULAMEEN TRAILS SOCIETY, TULAMEEN, B.C.
891284374RR0001	CANADIAN PANDA PROJECT-LE PROJET PANDA CANADIEN, TORONTO, ONT.
891307845RR0001	AUXILIARY OF CENTRE D'ACCUEIL ST. MARGARET, WESTMOUNT, QUE.
891838971RR0001	WELCOME BABY SUPPORT PROGRAM FOR ETOBICOKE, ETOBICOKE, ONT.
892075243RR0001	SUN HAVEN AUXILIARY, KOMOKA, ONT.
892521766RR0001	EMPRESS AND DISTRICT HEALTH FOUNDATION, MEDICINE HAT, ALTA.
892872789RR0001	THE RABBI YEHUDA YUDEL ROSENBERG MEMORIAL FOUNDATION, CÔTE-SAINT-LUC, QUE.
893015255RR0001	FONDATION " JAMAIS PLUS ", MONTRÉAL (QUÉ.)
893182576RR0001	ROYAL CANADIAN LEGION C. J. MEADEN BRANCH NO. 546 POPPY FUND, WHITEFISH, ONT.
893419762RR0001	LE COMITÉ DES ŒUVRES FRANCOPHONES - RÉGION NIAGARA, ST. CATHARINES (ONT.)
894209154RR0001	SASKATCHEWAN FOUNDATION FOR EATING DISORDERS CORPORATION, MILDEN, SASK.
894525971RR0001	COMMUNITY YOUNG WOMEN'S CHRISTIAN ASSOCIATION OF GREY-WELLINGTON, MOUNT FOREST, ONT.
896125028RR0001	THE NIPPONIA FOUNDATION, TORONTO, ONT.
899461560RR0001	KOOTENAY COMMUNITY LAW CENTRE SOCIETY, CRANBROOK, B.C.
899897243RR0001	ST-VINCENT-DE-PAUL NOTRE-DAME DE BELLERIVE, VALLEYFIELD (QUÉ.)

Le directeur général
Direction des organismes de bienfaisance
MAUREEN KIDD

[18-1-o]

CANADA CUSTOMS AND REVENUE AGENCY

INCOME TAX ACT

Revocation of registration of charities

The registered charities listed below have amalgamated or merged with other organizations and have requested that their registration be revoked. Therefore, the following notice of proposed revocation has been sent to them and is now being published according to the requirements of the *Income Tax Act*:

"Notice is hereby given, pursuant to paragraph 168(1)(a) of the *Income Tax Act*, that I propose to revoke the registration of the charities listed below and that by virtue of paragraph 168(2)(a) thereof, the revocation of the registration is effective on the date of publication of this notice in the *Canada Gazette*."

AGENCE DES DOUANES ET DU REVENU DU CANADA

LOI DE L'IMPÔT SUR LE REVENU

Annulation d'enregistrement d'organismes de bienfaisance

Les organismes de bienfaisance enregistrés dont les noms figurent ci-dessous ont fusionné avec d'autres organismes et ont demandé que leur enregistrement soit révoqué. Par conséquent, l'avis suivant leur a été envoyé et sera maintenant publié conformément aux dispositions de la *Loi de l'impôt sur le revenu* :

« Avis est donné par les présentes que, conformément à l'alinéa 168(1)a) de la *Loi de l'impôt sur le revenu*, j'ai l'intention de révoquer l'enregistrement des organismes de bienfaisance mentionnés ci-dessous en vertu de l'alinéa 168(2)a) de cette Loi et que la révocation de l'enregistrement entre en vigueur à la publication du présent avis dans la *Gazette du Canada*. »

Business Number Numéro d'entreprise	Name/Nom Address/Adresse
104947106RR0001	SOUTH VANCOUVER ISLAND ASSESSMENT AND RESOURCE SERVICE SOCIETY, DUNCAN, B.C.
135731461RR0001	THE ASSOCIATION OF CREATIVE LIVING AND CAREER SUPPORT, FORT VERMILION, ALTA.
887764694RR0001	REGION 2 HOSPITAL CORPORATION/CORPORATION HOSPITALIÈRE DE LA RÉGION 2, SAINT JOHN, N.B.

MAUREEN KIDD
*Director General
Charities Directorate*

[18-1-o]

*Le directeur général
Direction des organismes de bienfaisance*
MAUREEN KIDD

[18-1-o]

CANADIAN INTERNATIONAL TRADE TRIBUNAL

DECISION OF THE TRIBUNAL

Appeal No. AP-2002-097

In the matter of an appeal heard on October 29, 2003, under section 81.19 of the *Excise Tax Act*, R.S.C. 1985, c. E-15;
And in the matter of a decision of the Minister of National Revenue dated August 22, 2002, with respect to a notice of objection served under section 81.17 of the *Excise Tax Act*.

Between

Pièces d'autos usagées RTA (1986) Inc. (appellant)

And

The Minister of National Revenue (respondent)

The appeal is dismissed.

April 21, 2004

SUSANNE GRIMES
Acting Secretary

[18-1-o]

TRIBUNAL CANADIEN DU COMMERCE EXTÉRIEUR

DÉCISION DU TRIBUNAL

Appel n° AP-2002-097

Eu égard à un appel entendu le 29 octobre 2003 aux termes de l'article 81.19 de la *Loi sur la taxe d'accise*, L.R.C. 1985, c. E-15;

Et eu égard à une décision rendue par le ministre du Revenu national le 22 août 2002 concernant un avis d'opposition signifié aux termes de l'article 81.17 de la *Loi sur la taxe d'accise*.

Entre

Pièces d'autos usagées RTA (1986) Inc. (appelante)

Et

Le ministre du Revenu national (intimé)

L'appel est rejeté.

Le 21 avril 2004

La secrétaire intérimaire
SUSANNE GRIMES

[18-1-o]

CANADIAN INTERNATIONAL TRADE TRIBUNAL

ORDER

Appeal No. AP-2003-012

In the matter of an appeal under section 67 of the *Customs Act*, R.S.C. 1985 (2d Supp.), c. 1;

And in the matter of a motion by the Commissioner of the Canada Customs and Revenue Agency requesting that the Tribunal dismiss the appeal on the grounds that it does not have jurisdiction to consider the appeal.

Between

Gammon Trading Co. Ltd. (appellant)

And

The Commissioner of the Canada Customs and Revenue Agency (respondent)

The motion is granted, and the appeal is dismissed.

April 21, 2004

SUSANNE GRIMES
Acting Secretary

[18-1-o]

TRIBUNAL CANADIEN DU COMMERCE EXTÉRIEUR

ORDONNANCE

Appel n° AP-2003-012

Eu égard à un appel interjeté aux termes de l'article 67 de la *Loi sur les douanes*, L.R.C. 1985 (2^e supp.), c. 1;

Et eu égard à une requête déposée par le commissaire de l'Agence des douanes et du revenu du Canada demandant au Tribunal de rejeter l'appel au motif qu'il n'a pas compétence pour connaître de l'appel.

Entre

Gammon Trading Co. Ltd. (appelante)

Et

Le commissaire de l'Agence des douanes et du revenu du Canada (intimé)

La requête est accueillie et l'appel est rejeté.

Le 21 avril 2004

La secrétaire intérimaire
SUSANNE GRIMES

[18-1-o]

CANADIAN INTERNATIONAL TRADE TRIBUNAL**COMMENCEMENT OF INVESTIGATION***Nonwoven fusible fabrics*

Notice is hereby given that the Canadian International Trade Tribunal (the Tribunal) is satisfied that the request (Request No. TR-2003-003) received from Peerless Clothing Inc. (the requester) of Montréal, Quebec, is properly documented. The request is for the removal, for an indeterminate period of time, of the customs duty on importations from all countries of nonwovens of nylon staple fibres or nylon staple fibres mixed with polyester staple fibres, partially coated with low-melt adhesive, weighing more than 25 g/m² but not more than 70 g/m², for use in the manufacture of men's and boys' jackets (including suit jackets), blazers and vests (waistcoats) [the subject nonwovens]. The requester has asked the Tribunal to conduct its investigation expeditiously. The Tribunal has examined the request and is not persuaded that the circumstances constitute critical circumstances. However, barring any opposition to the request, the Tribunal intends to conduct its investigation as expeditiously as possible.

The Tribunal will conduct an investigation under section 19 of the *Canadian International Trade Tribunal Act* into the appropriateness of reducing or removing the customs duty on importations of the subject nonwovens, which are classified in subheading No. 5603.92.

The Tribunal's investigation commenced on April 21, 2004, and will be conducted by way of written submissions. To participate in the Tribunal's investigation, the requester or an interested party must file with the Tribunal a notice of appearance in Form I of the *Textile Reference Guidelines* on or before May 12, 2004. The Tribunal's recommendations to the Minister of Finance are scheduled to be issued by August 19, 2004.

A schedule of events consisting of key dates is available from the Tribunal's Web site at www.citt-tcce.gc.ca.

Submissions to the Tribunal may be written in English or in French. All correspondence should be addressed to the Secretary, Canadian International Trade Tribunal, Standard Life Centre, 15th Floor, 333 Laurier Avenue W, Ottawa, Ontario K1A 0G7, (613) 993-4717 (telephone), (613) 990-2439 (facsimile), secretary@citt-tcce.gc.ca (electronic mail).

Ottawa, April 21, 2004

SUSANNE GRIMES
Acting Secretary

[18-1-o]

CANADIAN INTERNATIONAL TRADE TRIBUNAL**DETERMINATION***Architect and engineering services*

Notice is hereby given that, after completing its inquiry, the Canadian International Trade Tribunal (the Tribunal) made a determination (File No. PR-2003-075) on April 21, 2004, with respect to a complaint filed by Fleetway Inc., of Halifax, Nova Scotia, under subsection 30.11(1) of the *Canadian International Trade Tribunal Act*, R.S.C. 1985 (4th Supp.), c. 47, as amended

TRIBUNAL CANADIEN DU COMMERCE EXTÉRIEUR**OUVERTURE D'ENQUÊTE***Étoffes thermofusibles non tissées*

Avis est donné par la présente que le Tribunal canadien du commerce extérieur (le Tribunal) est convaincu que le dossier de la demande (demande n° TR-2003-003) reçue de Vêtements Peerless Inc. (la demanderesse), de Montréal (Québec), est complet. La demande porte sur la suppression, pour une période indéterminée, des droits de douane sur les importations, en provenance de tous les pays, de non-tissés de fibres discontinues de nylon ou de fibres discontinues de nylon mélangées avec des fibres discontinues de polyester, enduites partiellement d'adhésif à faible point de fusion, d'un poids supérieur à 25 g/m² mais n'excédant pas 70 g/m², devant servir à la fabrication de vestons (y compris les vestons de complet), de blazers et de vestes (gilets) pour hommes et pour garçons (les non-tissés en question). La demanderesse a demandé au Tribunal d'effectuer cette enquête dans les plus brefs délais. Le Tribunal, ayant examiné la demande, n'est pas persuadé que la situation présente est une situation critique. Néanmoins, à moins d'opposition à cette demande, le Tribunal a l'intention d'effectuer son enquête dans les plus brefs délais.

Conformément à l'article 19 de la *Loi sur le Tribunal canadien du commerce extérieur*, le Tribunal enquêtera sur la pertinence de la réduction ou de la suppression des droits de douane sur les importations des non-tissés en question, qui sont classés dans la sous-position n° 5603.92.

L'enquête du Tribunal a été ouverte le 21 avril 2004 et sera menée sous forme d'exposés écrits. Pour participer à l'enquête du Tribunal, la demanderesse ou une partie intéressée doit déposer auprès du Tribunal un acte de comparution établi selon la formule I des *Lignes directrices relatives à la saisine sur les textiles* au plus tard le 12 mai 2004. Le Tribunal prévoit présenter ses recommandations au ministre des Finances au plus tard le 19 août 2004.

Pour obtenir un calendrier des activités contenant les dates clés, prière de consulter le site Web du Tribunal à l'adresse www.tcce-citt.gc.ca.

Les exposés peuvent être déposés auprès du Tribunal en français ou en anglais. Toute la correspondance doit être envoyée à l'adresse suivante : le Secrétaire, Tribunal canadien du commerce extérieur, Standard Life Centre, 15^e étage, 333, avenue Laurier Ouest, Ottawa (Ontario) K1A 0G7, (613) 993-4717 (téléphone), (613) 990-2439 (télécopieur), secretaire@tcce-citt.gc.ca (courriel).

Ottawa, le 21 avril 2004

La secrétaire intérimaire
SUSANNE GRIMES

[18-1-o]

TRIBUNAL CANADIEN DU COMMERCE EXTÉRIEUR**DÉCISION***Services d'architecture et d'ingénierie*

Avis est donné par la présente que le Tribunal canadien du commerce extérieur (le Tribunal), à la suite de son enquête, a rendu une décision (dossier n° PR-2003-075) le 21 avril 2004 concernant une plainte déposée par Fleetway Inc., de Halifax (Nouvelle-Écosse), aux termes du paragraphe 30.11(1) de la *Loi sur le Tribunal canadien du commerce extérieur*, L.R.C. 1985

by the *North American Free Trade Agreement Implementation Act*, S.C. 1993, c. 44, concerning a procurement (Solicitation No. W8484-02FK01/A) by the Department of Public Works and Government Services (PWGSC) on behalf of the Department of National Defence. The solicitation was for the provision of miscellaneous equipment repair and overhaul services.

Fleetway Inc. alleged that PWGSC had issued a contract to a company whose bid had been modified improperly as a result of the clarification process conducted during the procurement.

Having examined the evidence presented by the parties and considered the provisions of the *Agreement on Internal Trade*, the *North American Free Trade Agreement* and the *Agreement on Government Procurement*, the Tribunal determined that the complaint was valid.

Further information may be obtained from the Secretary, Canadian International Trade Tribunal, Standard Life Centre, 15th Floor, 333 Laurier Avenue W, Ottawa, Ontario K1A 0G7, (613) 993-4717 (telephone), (613) 990-2439 (facsimile).

Ottawa, April 22, 2004

SUSANNE GRIMES
Acting Secretary

[18-1-o]

(4^e supp.), c. 47, modifiée par la *Loi de mise en œuvre de l'Accord de libre-échange nord-américain*, L.C. 1993, c. 44, au sujet d'un marché (invitation n^o W8484-02FK01/A) passé par le ministère des Travaux publics et des Services gouvernementaux (TPSGC) au nom du ministère de la Défense nationale. L'invitation portait sur la prestation de services de réparation et de révision de l'équipement.

La partie plaignante a allégué que TPSGC avait adjugé un contrat à une entreprise dont la soumission avait été modifiée de façon irrégulière par suite du processus de clarification mené au cours du marché public.

Après avoir examiné les éléments de preuve présentés par les parties et tenu compte des dispositions de l'*Accord sur le commerce intérieur*, de l'*Accord de libre-échange nord-américain* et de l'*Accord sur les marchés publics*, le Tribunal a déterminé que la plainte était fondée.

Pour plus de renseignements, veuillez communiquer avec le Secrétaire, Tribunal canadien du commerce extérieur, Standard Life Centre, 15^e étage, 333, avenue Laurier Ouest, Ottawa (Ontario) K1A 0G7, (613) 993-4717 (téléphone), (613) 990-2439 (télécopieur).

Ottawa, le 22 avril 2004

La secrétaire intérimaire
SUSANNE GRIMES

[18-1-o]

CANADIAN INTERNATIONAL TRADE TRIBUNAL INQUIRY

Communication, détection and fibre optics

The Canadian International Trade Tribunal (the Tribunal) has received a complaint (File No. PR-2004-001) from CVDS Inc. (CVDS), of Pointe-Claire, Quebec, concerning a procurement (Solicitation No. 21120-027693/A) by the Department of Public Works and Government Services (PWGSC) on behalf of the Correctional Service of Canada. The solicitation is for the supply of a telephone interception system. Pursuant to subsection 30.13(2) of the *Canadian International Trade Tribunal Act* and subsection 7(2) of the *Canadian International Trade Tribunal Procurement Inquiry Regulations*, notice is hereby given that the Tribunal has decided to conduct an inquiry into the complaint.

It is alleged that PWGSC incorrectly evaluated and disqualified the proposal submitted by CVDS.

Further information may be obtained from the Secretary, Canadian International Trade Tribunal, Standard Life Centre, 15th Floor, 333 Laurier Avenue W, Ottawa, Ontario K1A 0G7, (613) 993-4717 (telephone), (613) 990-2439 (facsimile).

Ottawa, April 16, 2004

SUSANNE GRIMES
Acting Secretary

[18-1-o]

TRIBUNAL CANADIEN DU COMMERCE EXTÉRIEUR ENQUÊTE

Communication, détection et fibres optiques

Le Tribunal canadien du commerce extérieur (le Tribunal) a reçu une plainte (dossier n^o PR-2004-001) déposée par CVDS Inc. (CVDS), de Pointe-Claire (Québec), concernant un marché (invitation n^o 21120-027693/A) passé par le ministère des Travaux publics et des Services gouvernementaux (TPSGC) au nom du Service correctionnel du Canada. L'invitation porte sur la fourniture d'un système d'interception des conversations téléphoniques. Conformément au paragraphe 30.13(2) de la *Loi sur le Tribunal canadien du commerce extérieur* et au paragraphe 7(2) du *Règlement sur les enquêtes du Tribunal canadien du commerce extérieur sur les marchés publics*, avis est donné par la présente que le Tribunal a décidé d'enquêter sur la plainte.

Il est allégué que TPSGC a évalué et exclu la proposition présentée par CVDS de façon incorrecte.

Pour plus de renseignements, veuillez communiquer avec le Secrétaire, Tribunal canadien du commerce extérieur, Standard Life Centre, 15^e étage, 333, avenue Laurier Ouest, Ottawa (Ontario), K1A 0G7, (613) 993-4717 (téléphone), (613) 990-2439 (télécopieur).

Ottawa, le 16 avril 2004

La secrétaire intérimaire
SUSANNE GRIMES

[18-1-o]

CANADIAN RADIO-TELEVISION AND TELECOMMUNICATIONS COMMISSION

NOTICE TO INTERESTED PARTIES

The following notices are abridged versions of the Commission's original notices bearing the same number. The original

CONSEIL DE LA RADIODIFFUSION ET DES TÉLÉCOMMUNICATIONS CANADIENNES

AVIS AUX INTÉRESSÉS

Les avis qui suivent sont des versions abrégées des avis originaux du Conseil portant le même numéro. Les avis originaux

notices contain a more detailed outline of the applications, including additional locations and addresses where the complete files may be examined. The relevant material, including the notices and applications, is available for viewing during normal business hours at the following offices of the Commission:

- Central Building, Les Terrasses de la Chaudière, Room G-5, 1 Promenade du Portage, Gatineau, Quebec K1A 0N2, (819) 997-2429 (telephone), 994-0423 (TDD), (819) 994-0218 (facsimile);
- Bank of Commerce Building, Suite 1007, 1809 Barrington Street, Halifax, Nova Scotia B3J 3K8, (902) 426-7997 (telephone), 426-6997 (TDD), (902) 426-2721 (facsimile);
- Kensington Building, Suite 1810, 275 Portage Avenue, Winnipeg, Manitoba R3B 2B3, (204) 983-6306 (telephone), 983-8274 (TDD), (204) 983-6317 (facsimile);
- 530-580 Hornby Street, Vancouver, British Columbia V6C 3B6, (604) 666-2111 (telephone), 666-0778 (TDD), (604) 666-8322 (facsimile);
- C.R.T.C. Documentation Centre, 405 De Maisonneuve Boulevard E, 2nd Floor, Suite B2300, Montréal, Quebec H2L 4J5, (514) 283-6607 (telephone), 283-8316 (TDD), (514) 283-3689 (facsimile);
- C.R.T.C. Documentation Centre, 55 St. Clair Avenue E, Suite 624, Toronto, Ontario M4T 1M2, (416) 952-9096 (telephone), (416) 954-6343 (facsimile);
- C.R.T.C. Documentation Centre, Cornwall Professional Building, Room 103, 2125 11th Avenue, Regina, Saskatchewan S4P 3X3, (306) 780-3422 (telephone), (306) 780-3319 (facsimile);
- C.R.T.C. Documentation Centre, 10405 Jasper Avenue, Suite 520, Edmonton, Alberta T5J 3N4, (780) 495-3224 (telephone), (780) 495-3214 (facsimile).

Interventions must be filed with the Secretary General, Canadian Radio-television and Telecommunications Commission, Ottawa, Ontario K1A 0N2, together with proof that a true copy of the intervention has been served upon the applicant, on or before the deadline given in the notice.

Secretary General

contiennent une description plus détaillée de chacune des demandes, y compris les lieux et adresses où l'on peut consulter les dossiers complets. Tous les documents afférents, y compris les avis et les demandes, sont disponibles pour examen durant les heures normales d'ouverture aux bureaux suivants du Conseil :

- Édifice central, Les Terrasses de la Chaudière, Pièce G5, 1, promenade du Portage, Gatineau (Québec) K1A 0N2, (819) 997-2429 (téléphone), 994-0423 (ATS), (819) 994-0218 (télécopieur);
- Édifice de la Banque de Commerce, Pièce 1007, 1809, rue Barrington, Halifax (Nouvelle-Écosse) B3J 3K8, (902) 426-7997 (téléphone), 426-6997 (ATS), (902) 426-2721 (télécopieur);
- Édifice Kensington, Pièce 1810, 275, avenue Portage, Winnipeg (Manitoba) R3B 2B3, (204) 983-6306 (téléphone), 983-8274 (ATS), (204) 983-6317 (télécopieur);
- 580, rue Hornby, Bureau 530, Vancouver (Colombie-Britannique) V6C 3B6, (604) 666-2111 (téléphone), 666-0778 (ATS), (604) 666-8322 (télécopieur);
- Centre de documentation du C.R.T.C., 405, boulevard de Maisonneuve Est, 2^e étage, Bureau B2300, Montréal (Québec) H2L 4J5, (514) 283-6607 (téléphone), 283-8316 (ATS), (514) 283-3689 (télécopieur);
- Centre de documentation du C.R.T.C., 55, avenue St. Clair Est, Bureau 624, Toronto (Ontario) M4T 1M2, (416) 952-9096 (téléphone), (416) 954-6343 (télécopieur);
- Centre de documentation du C.R.T.C., Édifice Cornwall Professionnel, Pièce 103, 2125, 11^e Avenue, Regina (Saskatchewan) S4P 3X3, (306) 780-3422 (téléphone), (306) 780-3319 (télécopieur);
- Centre de documentation du C.R.T.C., 10405, avenue Jasper, Bureau 520, Edmonton (Alberta) T5J 3N4, (780) 495-3224 (téléphone), (780) 495-3214 (télécopieur).

Les interventions doivent parvenir au Secrétaire général, Conseil de la radiodiffusion et des télécommunications canadiennes, Ottawa (Ontario) K1A 0N2, avec preuve qu'une copie conforme a été envoyée à la requérante, avant la date limite d'intervention mentionnée dans l'avis.

Secrétaire général

CANADIAN RADIO-TELEVISION AND TELECOMMUNICATIONS COMMISSION

DECISIONS

The complete texts of the decisions summarized below are available from the offices of the CRTC.

2004-149

April 19, 2004

Sask-Alta Broadcasters Limited
Lloydminster, Alberta

The Commission revokes the broadcasting licence issued to Sask-Alta Broadcasters Limited for CKSA Lloydminster.

2004-150

April 19, 2004

Various licensees
Across Canada

Revocation of the licences for exempted small cable distribution undertakings, as noted in the appendix to the decision.

CONSEIL DE LA RADIODIFFUSION ET DES TÉLÉCOMMUNICATIONS CANADIENNES

DÉCISIONS

On peut se procurer le texte complet des décisions résumées ci-après en s'adressant au CRTC.

2004-149

Le 19 avril 2004

Sask-Alta Broadcasters Limited
Lloydminster (Alberta)

Le Conseil révoque la licence de radiodiffusion attribuée à Sask-Alta Broadcasters Limited pour CKSA Lloydminster.

2004-150

Le 19 avril 2004

Diverses titulaires
L'ensemble du Canada

Révocation des licences de petites entreprises de câblodistribution exemptées, telle qu'elle est énoncée dans l'annexe de la décision.

<p>2004-151 <i>April 19, 2004</i></p> <p>Maritime Broadcasting System Limited Kentville, Nova Scotia</p> <p>The Commission revokes the broadcasting licence issued to Maritime Broadcasting System Limited for CKEN Kentville.</p>	<p>2004-151 <i>Le 19 avril 2004</i></p> <p>Maritime Broadcasting System Limited Kentville (Nouvelle-Écosse)</p> <p>Le Conseil révoque la licence de radiodiffusion attribuée à Maritime Broadcasting System Limited pour CKEN Kentville.</p>
<p>2004-152 <i>April 19, 2004</i></p> <p>Craig Wireless B.C. Inc. Vancouver, British Columbia</p> <p>Approved — Change of the authorized contours of the multipoint distribution system, authorized to serve Vancouver.</p>	<p>2004-152 <i>Le 19 avril 2004</i></p> <p>Craig Wireless B.C. Inc. Vancouver (Colombie-Britannique)</p> <p>Approuvé — Modification du périmètre de rayonnement autorisé du système de distribution multipoint autorisé à desservir Vancouver.</p>
<p>2004-153 <i>April 23, 2004</i></p> <p>Compton Cable T.V. Limited Utica, Port Perry, Uxbridge, Goodwood, Epsom, Prince Albert and Coppins Corners, Ontario</p> <p>Approved — New English-language general interest video-on-demand service consisting primarily of feature films. The licence will expire August 31, 2010.</p>	<p>2004-153 <i>Le 23 avril 2004</i></p> <p>Compton Cable T.V. Limited Utico, Port Perry, Uxbridge, Goodwood, Epsom, Prince Albert et Coppins Corners (Ontario)</p> <p>Approuvé — Exploitation d'un service de vidéo sur demande d'intérêt général, en langue anglaise, dont la programmation sera essentiellement composée de longs métrages. La licence expirera le 31 août 2010.</p>
<p>2004-154 <i>April 23, 2004</i></p> <p>CHRS Broadcasting, Inc. Fredericton, New Brunswick</p> <p>Approved — Increase of the effective radiated power from 50 watts to 250 watts and an increase of the antenna height from 28.5 metres to 48 metres of the authorized contours of CHSR-FM Fredericton.</p>	<p>2004-154 <i>Le 23 avril 2004</i></p> <p>CHSR Broadcasting, Inc. Fredericton (Nouveau-Brunswick)</p> <p>Approuvé — Augmentation de la puissance apparente rayonnée de 50 watts à 250 watts et une augmentation de la hauteur de l'antenne de 28,5 mètres à 48 mètres des périmètres de rayonnement autorisés de CHSR-FM Fredericton.</p>
<p>2004-155 <i>April 23, 2004</i></p> <p>James K. Langille, Chief Administrative Officer, Town of Truro, and his successors Truro, Nova Scotia</p> <p>Approved — New low-power English-language FM radio programming undertaking to provide a tourist information service in Truro. The licence will expire August 31, 2010.</p>	<p>2004-155 <i>Le 23 avril 2004</i></p> <p>James K. Langille, directeur général, ville de Truro, et ses successeurs Truro (Nouvelle-Écosse)</p> <p>Approuvé — Exploitation d'une entreprise de programmation de radio FM de faible puissance de langue anglaise qui offrira un service d'information touristique à Truro. La licence expirera le 31 août 2010.</p>
<p>2004-156 <i>April 23, 2004</i></p> <p>3077457 Nova Scotia Limited St. Stephen, New Brunswick</p> <p>Approved — New low-power English-language FM radio programming undertaking to provide a tourist information service in St. Stephen. The licence will expire August 31, 2010.</p>	<p>2004-156 <i>Le 23 avril 2004</i></p> <p>3077457 Nova Scotia Limited St. Stephen (Nouveau-Brunswick)</p> <p>Approuvé — Exploitation d'une entreprise de programmation de radio FM de faible puissance de langue anglaise qui offrira un service d'information touristique à St. Stephen. La licence expirera le 31 août 2010.</p>
<p>2004-157 <i>April 23, 2004</i></p> <p>Global Television Network Inc. and TVA Group Inc., partners in the general partnership known as Mystery General Partnership Across Canada</p> <p>Approved — Authorization to acquire the 9.9 percent partnership interest currently held by Rogers Broadcasting Limited. The licence expire August 31, 2007.</p>	<p>2004-157 <i>Le 23 avril 2004</i></p> <p>Réseau de télévision Global inc. et Groupe TVA inc., associés dans une société en nom collectif faisant affaires sous le nom Mystery L'ensemble du Canada</p> <p>Approuvé — Autorisation d'acquérir la participation de 9,9 p. 100 actuellement détenue par Rogers Broadcasting Limited. La licence expirera le 31 août 2007.</p>
<p>2004-158 <i>April 23, 2004</i></p> <p>Radio communautaire de Radisson Radisson, Quebec</p>	<p>2004-158 <i>Le 23 avril 2004</i></p> <p>Radio communautaire de Radisson Radisson (Québec)</p>

Approved — Authority to acquire the assets of CIAU-FM Radisson and for a broadcasting licence to continue the operation of this undertaking. The new licence will expire August 31, 2010.

2004-159 April 23, 2004

1225520 Ontario Inc.
Across Canada

Approved — Authority to acquire the assets of The Short Film Channel, The Love Channel, and The Horror Channel/The Creep Show and for broadcasting licences to operate the undertakings. The licences will expire August 31, 2007.

2004-160 April 23, 2004

Vision TV: Canada's Faith Network/Réseau religieux canadien,
on behalf of a not-for-profit corporation to be incorporated
Across Canada

Approved — Transfer of assets of Vision's specialty undertakings to a not-for-profit corporation to be incorporated, and for a broadcasting licence to operate Vision TV. The licence will expire August 31, 2004.

2004-161 April 23, 2004

Standard Radio Inc.
Summerland, British Columbia

Denied — Conversion of its radio programming undertaking CHOR Summerland to the FM band.

2004-162 April 23, 2004

Cogeco Radio Television Inc., TVA Group Inc., TQS inc. and
Viewer's Choice Canada Inc., partners in a general partnership
known as Canal Indigo
Across Canada

Approved — Amendment to the broadcasting licences of the pay-per-view and the direct-to-home pay-per-view programming undertakings known as Canal Indigo, in order to change the condition of licence relating to closed captioning as noted in the decision.

2004-163 April 23, 2004

CHUM Limited
Toronto, Ontario

Approved — Increase of the average effective radiated power from 600 watts to 1 300 watts of the authorized contour of the transitional digital television undertaking CITY-DT Toronto.

2004-164 April 23, 2004

Canadian Broadcasting Corporation
Saskatoon, Saskatchewan

Approved — Extension of the time limit to commence the operation of the new transmitter at Saskatoon, until April 30, 2005.

2004-165 April 23, 2004

Kemano Community Association
Kemano, British Columbia

The Commission revokes the broadcasting licence issued to Kemano Community Association.

Approuvé — Acquisition de l'actif de CIAU-FM Radisson et obtention d'une licence de radiodiffusion afin de poursuivre l'exploitation de cette entreprise. La nouvelle licence expirera le 31 août 2010.

2004-159 Le 23 avril 2004

1225520 Ontario Inc.
L'ensemble du Canada

Approuvé — Autorisation d'acquérir l'actif de The Short Film Channel, The Love Channel et The Horror Channel/The Creep Show et d'obtenir des licences de radiodiffusion pour exploiter ces entreprises. Les licences expireront le 31 août 2007.

2004-160 Le 23 avril 2004

Vision TV: Canada's Faith Network/Réseau religieux canadien,
au nom d'une société sans but lucratif devant être constituée
L'ensemble du Canada

Approuvé — Transfert de l'actif des entreprises spécialisées de Vision à une société sans but lucratif devant être constituée, et obtention d'une licence de radiodiffusion afin d'exploiter Vision TV. La licence expirera le 31 août 2004.

2004-161 Le 23 avril 2004

Standard Radio Inc.
Summerland (Colombie-Britannique)

Refusé — Conversion de son entreprise de programmation de radio CHOR Summerland à la bande FM.

2004-162 Le 23 avril 2004

Cogeco Radio Télévision inc., Groupe TVA inc., TQS inc. et
Viewer's Choice Canada Inc., associés dans une société en
nom collectif connue sous le nom de Canal Indigo
L'ensemble du Canada

Approuvé — Modification des licences des entreprises de programmation de télévision à la carte et de télévision à la carte distribuée par satellite de radiodiffusion directe appelées Canal Indigo en vue de changer les conditions de licence relatives au sous-titrage codé telle qu'elle est énoncée dans la décision.

2004-163 Le 23 avril 2004

CHUM Limited
Toronto (Ontario)

Approuvé — Augmentation de la puissance apparente rayonnée moyenne de 600 watts à 1 300 watts du périmètre de rayonnement autorisé de l'entreprise de télévision numérique transitoire CITY-DT Toronto.

2004-164 Le 23 avril 2004

Société Radio-Canada
Saskatoon (Saskatchewan)

Approuvé — Prorogation de la date de mise en exploitation du nouvel émetteur à Saskatoon, jusqu'au 30 avril 2005.

2004-165 Le 23 avril 2004

Kemano Community Association
Kemano (Colombie-Britannique)

Le Conseil révoque la licence de radiodiffusion attribuée à Kemano Community Association.

2004-166

April 23, 2004

2004-166

Le 23 avril 2004

Canadian Broadcasting Corporation
Windsor, Ontario

Société Radio-Canada
Windsor (Ontario)

Approved — Extension of the time limit to commence the operation of the new transmitter at Windsor, until April 30, 2005.

Approuvé — Prorogation de la date de mise en exploitation du nouvel émetteur à Windsor, jusqu'au 30 avril 2005.

[18-1-o]

[18-1-o]

CANADIAN RADIO-TELEVISION AND TELECOMMUNICATIONS COMMISSION

CONSEIL DE LA RADIODIFFUSION ET DES TÉLÉCOMMUNICATIONS CANADIENNES

PUBLIC NOTICE 2004-26

AVIS PUBLIC 2004-26

The Commission has received the following application:

Le Conseil a été saisi de la demande suivante :

1. TV5 Québec Canada
Across Canada

1. TV5 Québec Canada
L'ensemble du Canada

To amend the licence of the specialty programming undertaking known as TV5.

En vue de modifier la licence de l'entreprise de programmation d'émissions spécialisées connue sous le nom TV5.

Deadline for intervention: May 28, 2004

Date limite d'intervention : le 28 mai 2004

April 23, 2004

Le 23 avril 2004

[18-1-o]

[18-1-o]

NATIONAL ENERGY BOARD

OFFICE NATIONAL DE L'ÉNERGIE

PUBLIC HEARING

AUDIENCE PUBLIQUE

TransCanada PipeLines Limited — North Bay Junction

TransCanada PipeLines Limited — Jonction North Bay

The National Energy Board has scheduled an oral public hearing on an application from TransCanada PipeLines Limited (TransCanada) under the *National Energy Board Act* for approval to establish a new receipt and delivery point, the North Bay Junction (NBJ), and the corresponding tolls for services to and from the point and to remove North Bay from the existing Northern Delivery Area described in TransCanada's Mainline Transportation Tariff General Terms and Conditions, all effective November 1, 2004. Copies of the application are available for viewing on the Board's Internet site at www.neb-one.gc.ca (click on "Regulatory Documents" then "Quick Links" and scroll down to "TransCanada PipeLines Limited — North Bay Junction"), at TransCanada's offices (450 First Street SW, Calgary, Alberta, or 55 Yonge Street, 8th Floor, Toronto, Ontario), and the Board's library (444 Seventh Avenue SW, 1st Floor, Calgary, Alberta).

L'Office national de l'énergie a convoqué une audience publique orale pour examiner une demande que TransCanada PipeLines Limited (TransCanada) a présentée aux termes de la *Loi sur l'Office national de l'énergie* pour faire approuver l'établissement d'un nouveau point de réception et de livraison, soit la jonction North Bay (JNB), et les droits exigibles pour les services de transport offerts à destination et à partir de ce point, ainsi que le retrait de North Bay de l'actuelle zone de livraison du Nord, telle qu'elle est décrite dans les Conditions générales du Tarif de transport du réseau principal de TransCanada (Mainline Transportation Tariff General Terms and Conditions), le tout devant entrer en vigueur le 1^{er} novembre 2004. On peut consulter la demande sur le site Internet de l'Office au www.neb-one.gc.ca (cliquer sur « Documents de réglementation » puis sur « Liens rapides » et faire défiler vers le bas jusqu'à « TransCanada PipeLines Limited — Jonction North Bay »), aux bureaux de TransCanada (450, Première Rue Sud-Ouest, Calgary [Alberta], ou 55, rue Yonge, 8^e étage, Toronto [Ontario]), ainsi qu'à la bibliothèque de l'Office (444, Septième Avenue Sud-Ouest, rez-de-chaussée, Calgary [Alberta]).

Public hearing

Audience publique

The hearing will begin at 9 a.m., Eastern time, Monday, August 9, 2004, at a location, in Central Canada, to be announced at a later date. The proceeding will obtain the evidence and views of interested persons on the application. Any person interested in participating in the hearing should consult the Board's Hearing Order RH-3-2004 for further background and instructions. The deadline for filing an application to intervene is May 5, 2004, and the deadline for providing comments on the application is June 10, 2004.

L'audience débutera le lundi 9 août 2004, à 9 h (heure de l'Est), à un endroit, dans le Canada central, qui sera annoncé à une date ultérieure. L'instance visera à recueillir la preuve et les points de vue des personnes intéressées au sujet de la demande. Toute personne intéressée à participer à l'audience devrait consulter l'ordonnance d'audience RH-3-2004 de l'Office, qui fournit des précisions et des instructions concernant l'audience. Les demandes de statut d'intervenant doivent parvenir à l'Office au plus tard le 5 mai 2004; les personnes qui souhaitent déposer des lettres de commentaires doivent le faire d'ici le 10 juin 2004.

Information on hearing procedures

You may access the Hearing Order through the Board's Internet site at www.neb-one.gc.ca (click on "Regulatory Documents" then "Quick Links" and scroll down to "TransCanada PipeLines Limited — North Bay Junction"). You may obtain information on the procedures for this hearing or on the *National Energy Board Rules of Practice and Procedure, 1995* governing all hearings (available in English and French) by writing to the Secretary of the Board or by contacting Mary Lou Scharf, Regulatory Officer, at (403) 299-3988 or at 1-800-899-1265. You may also go to the Board's Internet site and click on "Acts and Regulations" to access the Board's Rules of Practice and Procedure and other legislation.

MICHEL L. MANTHA
Secretary

[18-1-o]

PUBLIC SERVICE COMMISSION OF CANADA

PUBLIC SERVICE EMPLOYMENT ACT

Leave of absence granted

The Public Service Commission of Canada, pursuant to subsection 33(4) of the *Public Service Employment Act*, hereby gives notice that it has granted leave of absence without pay, pursuant to subsection 33(3) of the said Act, to Mr. Ted Baker, Project Officer (AS-4), Aboriginal Initiative, Atlantic Regional Headquarters, Office of the Deputy Commissioner, Correctional Service of Canada, Atlantic Region, to allow him to be a candidate in the next federal election in the riding of North Nova, Nova Scotia.

April 15, 2004

MARIA BARRADOS
Interim President

[18-1-o]

Renseignements sur les procédures de l'audience

L'ordonnance d'audience est accessible sur le site Internet de l'Office au www.neb-one.gc.ca (cliquer sur « Documents de réglementation » puis sur « Liens rapides » et faire défiler vers le bas jusqu'à « TransCanada PipeLines Limited — Jonction North Bay »). Pour obtenir les instructions sur le déroulement de l'audience ou une copie des *Règles de pratique et de procédure de l'Office national de l'énergie (1995)* régissant la tenue de toutes les audiences (les deux documents sont disponibles en anglais et en français), prière d'en faire la demande par écrit au secrétaire de l'Office ou d'appeler Mary Lou Scharf, agente de réglementation, au (403) 299-3988 ou au 1 800 899-1265. On peut aussi consulter les Règles de pratique et de procédure de l'Office et les lois pertinentes sur le site Internet de l'Office (cliquer sur « Lois et règlements »).

Le secrétaire
MICHEL L. MANTHA

[18-1-o]

COMMISSION DE LA FONCTION PUBLIQUE DU CANADA

LOI SUR L'EMPLOI DANS LA FONCTION PUBLIQUE

Congé accordé

La Commission de la fonction publique du Canada, en vertu du paragraphe 33(4) de la *Loi sur l'emploi dans la fonction publique*, donne avis par la présente qu'elle a accordé à M. Ted Baker, agent de projet (AS-4), Initiative autochtone, Administration régionale de l'Atlantique, Bureau du Sous-commissaire, Service correctionnel du Canada, Région de l'Atlantique, un congé sans traitement aux termes du paragraphe 33(3) de ladite loi, pour lui permettre d'être candidat à la prochaine élection fédérale dans la circonscription électorale de Nova-Nord (Nouvelle-Écosse).

Le 15 avril 2004

La présidente intérimaire
MARIA BARRADOS

[18-1-o]

MISCELLANEOUS NOTICES**ALBERTA NEWSPRINT COMPANY****PLANS DEPOSITED**

Associated Engineering Alberta Ltd., on behalf of Alberta Newsprint Company, hereby gives notice that an application has been made to the Minister of Transport under the *Navigable Waters Protection Act* for approval of the plans and site of the work described herein. Under section 9 of the said Act, Alberta Newsprint Company has deposited with the Minister of Transport and in the office of the District Registrar of the Land Registry District of Alberta, at Edmonton, Alberta, under deposit number 042 075 255, a description of the site and plans of the proposed bridge from the northwest bank to the southeast bank of Horse Creek, in the northeast quarter of Section 09, Township 58, Range 26, west of the Fifth Meridian, in the county of Greenview.

Comments may be directed to the Superintendent, Navigable Waters Protection Program, Transport Canada, 201 Front Street N, Suite 703, Sarnia, Ontario N7T 8B1. However, comments will be considered only if they are in writing, are received not later than 30 days after the date of publication of this notice and are related to the effects of this work on marine navigation. Although all comments conforming to the above will be considered, no individual response will be sent.

Edmonton, February 26, 2004

ASSOCIATED ENGINEERING ALBERTA LTD.
STEVE CROXFORD
Professional Engineer

[18-1-o]

ALLNORTH CONSULTANTS LIMITED**PLANS DEPOSITED**

Allnorth Consultants Limited hereby gives notice that an application has been made to the Minister of Transport under the *Navigable Waters Protection Act* for approval of the plans and site of the work described herein. Under section 9 of the said Act, Allnorth Consultants Limited has deposited with the Minister of Transport, at Vancouver, British Columbia, and in the office of the Government Agent at Prince George, British Columbia, under deposit number 1000198, a description of the site and plans of the bridge over Jackknife Creek, located at kilometre 18+082, West Prophet Summer Access Road.

Comments regarding the effect of this work on marine navigation may be directed to the Superintendent, Navigable Waters Protection Program, Transport Canada, 401 Burrard Street, Suite 200, Vancouver, British Columbia V6C 3S4. However, comments will be considered only if they are in writing and are received not later than 30 days after the date of publication of this notice. Although all comments conforming to the above will be considered, no individual response will be sent.

Prince George, April 20, 2004

ALLNORTH CONSULTANTS LIMITED
BRIAN KOLODY

[18-1-o]

AVIS DIVERS**ALBERTA NEWSPRINT COMPANY****DÉPÔT DE PLANS**

La société Associated Engineering Alberta Ltd., au nom de la Alberta Newsprint Company, donne avis, par les présentes, qu'une demande a été déposée auprès du ministre des Transports en vertu de la *Loi sur la protection des eaux navigables*, pour l'approbation des plans et de l'emplacement de l'ouvrage décrit ci-après. La Alberta Newsprint Company a, en vertu de l'article 9 de ladite loi, déposé auprès du ministre des Transports et au bureau de la publicité des droits du district d'enregistrement d'Alberta, à Edmonton (Alberta), sous le numéro de dépôt 042 075 255, une description de l'emplacement et les plans du pont que l'on propose de construire de la rive nord-ouest à la rive sud-est du ruisseau Horse, dans le quart nord-est de la section 09, canton 58, rang 26, à l'ouest du cinquième méridien, dans le comté de Greenview.

Les commentaires éventuels doivent être adressés au Surintendant, Programme de protection des eaux navigables, Transports Canada, 201, rue Front Nord, Bureau 703, Sarnia (Ontario) N7T 8B1. Veuillez noter que seuls les commentaires faits par écrit, reçus au plus tard 30 jours suivant la date de publication de cet avis et relatifs à l'effet de l'ouvrage sur la navigation maritime seront considérés. Même si tous les commentaires répondant à ces exigences seront considérés, aucune réponse individuelle ne sera envoyée.

Edmonton, le 26 février 2004

ASSOCIATED ENGINEERING ALBERTA LTD.
L'ingénieur
STEVE CROXFORD

[18-1]

ALLNORTH CONSULTANTS LIMITED**DÉPÔT DE PLANS**

La société Allnorth Consultants Limited donne avis, par les présentes, qu'une demande a été déposée auprès du ministre des Transports en vertu de la *Loi sur la protection des eaux navigables*, pour l'approbation des plans et de l'emplacement de l'ouvrage décrit ci-après. La Allnorth Consultants Limited a, en vertu de l'article 9 de ladite loi, déposé auprès du ministre des Transports, à Vancouver (Colombie-Britannique), et au bureau de l'agent du gouvernement à Prince George (Colombie-Britannique), sous le numéro de dépôt 1000198, une description de l'emplacement et les plans du pont au-dessus du ruisseau Jackknife, situé à la borne kilométrique 18+082, sur la route praticable l'été West Prophet.

Les commentaires relatifs à l'effet de l'ouvrage sur la navigation maritime peuvent être adressés au Surintendant, Programme de protection des eaux navigables, Transports Canada, 401, rue Burrard, Bureau 200, Vancouver (Colombie-Britannique) V6C 3S4. Veuillez noter que seuls les commentaires faits par écrit et reçus au plus tard 30 jours suivant la date de publication de cet avis seront considérés. Même si tous les commentaires répondant à ces exigences seront considérés, aucune réponse individuelle ne sera envoyée.

Prince George, le 20 avril 2004

ALLNORTH CONSULTANTS LIMITED
BRIAN KOLODY

[18-1-o]

ALLNORTH CONSULTANTS LIMITED**PLANS DEPOSITED**

Allnorth Consultants Limited hereby gives notice that an application has been made to the Minister of Transport under the *Navigable Waters Protection Act* for approval of the plans and site of the work described herein. Under section 9 of the said Act, Allnorth Consultants Limited has deposited with the Minister of Transport, at Vancouver, British Columbia, and in the office of the Government Agent at Prince George, British Columbia, under deposit number 1000199, a description of the site and plans of the bridge over an unnamed creek, located at kilometre 4+990, West Prophet Summer Access Road.

Comments regarding the effect of this work on marine navigation may be directed to the Superintendent, Navigable Waters Protection Program, Transport Canada, 401 Burrard Street, Suite 200, Vancouver, British Columbia V6C 3S4. However, comments will be considered only if they are in writing and are received not later than 30 days after the date of publication of this notice. Although all comments conforming to the above will be considered, no individual response will be sent.

Prince George, April 20, 2004

ALLNORTH CONSULTANTS LIMITED
BRIAN KOLODY

[18-1-o]

B2B TRUST**LBC ACQUISITIONCO INC.****LETTERS PATENT OF AMALGAMATION**

Notice is hereby given of the intention of B2B Trust and LBC AcquisitionCo Inc. to make a joint application to the Minister of Finance, in accordance with section 233 of the *Trust and Loan Companies Act* (Canada) [the "Act"], for the issuance of letters patent of amalgamation continuing them as one company under the Act, for the purpose of carrying on the business of a federal trust company. The amalgamated company shall operate under the name "B2B Trust." The head office of B2B Trust will be located in Toronto, Ontario.

Toronto, April 24, 2004

OGILVY RENAULT
Attorneys

[17-4-o]

CANADIAN NATIONAL RAILWAY COMPANY**DOCUMENTS DEPOSITED**

Notice is hereby given, pursuant to section 105 of the *Canada Transportation Act*, that on April 20, 2004, the following documents were deposited in the Office of the Registrar General of Canada:

1. Memorandum of Lease Termination and Equipment Disposition (SLX/CN Lease No. 31) dated as of April 1, 2004, between Royal Bank of Canada and Canadian National Railway Company; and

ALLNORTH CONSULTANTS LIMITED**DÉPÔT DE PLANS**

La société Allnorth Consultants Limited donne avis, par les présentes, qu'une demande a été déposée auprès du ministre des Transports en vertu de la *Loi sur la protection des eaux navigables*, pour l'approbation des plans et de l'emplacement de l'ouvrage décrit ci-après. La Allnorth Consultants Limited a, en vertu de l'article 9 de ladite loi, déposé auprès du ministre des Transports, à Vancouver (Colombie-Britannique), et au bureau de l'agent du gouvernement à Prince George (Colombie-Britannique), sous le numéro de dépôt 1000199, une description de l'emplacement et les plans du pont au-dessus d'un ruisseau non désigné, situé à la borne kilométrique 4+990, sur la route praticable l'été West Prophet.

Les commentaires relatifs à l'effet de l'ouvrage sur la navigation maritime peuvent être adressés au Surintendant, Programme de protection des eaux navigables, Transports Canada, 401, rue Burrard, Bureau 200, Vancouver (Colombie-Britannique) V6C 3S4. Veuillez noter que seuls les commentaires faits par écrit et reçus au plus tard 30 jours suivant la date de publication de cet avis seront considérés. Même si tous les commentaires répondant à ces exigences seront considérés, aucune réponse individuelle ne sera envoyée.

Prince George, le 20 avril 2004

ALLNORTH CONSULTANTS LIMITED
BRIAN KOLODY

[18-1-o]

B2B TRUST**SOCIÉTÉ D'ACQUISITION BLC INC.****LETTRES PATENTES DE FUSION**

Avis est par les présentes donné que la B2B Trust et la Société d'acquisition BLC inc. ont l'intention de présenter une demande au ministre des Finances, conformément à l'article 233 de la *Loi sur les sociétés de fiducie et les sociétés de prêt* (Canada) [la « Loi »], pour l'émission de lettres patentes de fusion continuant celles-ci en une seule société sous la Loi aux fins d'exercer des activités comme société de fiducie fédérale. La société résultant de la fusion exercera ses activités sous la dénomination sociale « B2B Trust ». Le siège sociale de la B2B Trust sera situé à Toronto, Ontario.

Toronto, le 24 avril 2004

Les conseillers juridiques
OGILVY RENAULT

[17-4-o]

CANADIAN NATIONAL RAILWAY COMPANY**DÉPÔT DE DOCUMENTS**

Avis est par les présentes donné, conformément à l'article 105 de la *Loi sur les transports au Canada*, que le 20 avril 2004 les documents suivants ont été déposés au Bureau du registraire général du Canada :

1. Résumé de résiliation du contrat de location et disposition d'équipement (SLX/CN Lease No. 31) en date du 1^{er} avril 2004 entre la Royal Bank of Canada et la Canadian National Railway Company;

2. Memorandum of Lease Termination and Equipment Disposition (SLX/CN Lease No. 32) dated as of April 1, 2004, between Royal Bank of Canada and Canadian National Railway Company.

April 23, 2004

MCCARTHY TÉTRAULT LLP
Solicitors

[18-1-o]

2. Résumé de résiliation du contrat de location et disposition d'équipement (SLX/CN Lease No. 32) en date du 1^{er} avril 2004 entre la Royal Bank of Canada et la Canadian National Railway Company.

Le 23 avril 2004

Les conseillers juridiques
MCCARTHY TÉTRAULT s.r.l.

[18-1-o]

CANADIAN NATIONAL RAILWAY COMPANY

DOCUMENTS DEPOSITED

Notice is hereby given, pursuant to section 105 of the *Canada Transportation Act*, that on April 7, 2004, the following documents were deposited in the Office of the Registrar General of Canada:

1. Memorandum of Lease Termination and Equipment Disposition (SLX/CN Lease No. 6) dated as of April 1, 2004, between Sun Life Assurance Company of Canada and Canadian National Railway Company; and
2. Memorandum of Lease Termination and Equipment Disposition (SLX/CN Lease No. 8) dated as of April 1, 2004, between Sun Life Assurance Company of Canada and Canadian National Railway Company.

April 23, 2004

MCCARTHY TÉTRAULT LLP
Solicitors

[18-1-o]

CANADIAN NATIONAL RAILWAY COMPANY

DÉPÔT DE DOCUMENTS

Avis est par les présentes donné, conformément à l'article 105 de la *Loi sur les transports au Canada*, que le 7 avril 2004 les documents suivants ont été déposés au Bureau du registraire général du Canada :

1. Résumé de résiliation du contrat de location et disposition d'équipement (SLX/CN Lease No. 6) en date du 1^{er} avril 2004 entre la Sun Life Assurance Company of Canada et la Canadian National Railway Company;
2. Résumé de résiliation du contrat de location et disposition d'équipement (SLX/CN Lease No. 8) en date du 1^{er} avril 2004 entre la Sun Life Assurance Company of Canada et la Canadian National Railway Company.

Le 23 avril 2004

Les conseillers juridiques
MCCARTHY TÉTRAULT s.r.l.

[18-1-o]

CANADIAN RACE COMMUNICATIONS ASSOCIATION

RELOCATION OF HEAD OFFICE

Notice is hereby given that Canadian Race Communications Association has changed the location of its head office to the Township of Tyendenaga, Province of Ontario.

April 20, 2004

MARTY COOPER
President

[18-1-o]

CANADIAN RACE COMMUNICATIONS ASSOCIATION

CHANGEMENT DE LIEU DU SIÈGE SOCIAL

Avis est par les présentes donné que Canadian Race Communications Association a changé le lieu de son siège social qui est maintenant situé dans le canton de Tyendenaga, province d'Ontario.

Le 20 avril 2004

Le président
MARTY COOPER

[18-1-o]

CORPORATION DU CONGRÈS INTERNATIONAL DES ARCHIVES 1992

SURRENDER OF CHARTER

Notice is hereby given that CORPORATION DU CONGRÈS INTERNATIONAL DES ARCHIVES 1992 intends to apply to the Minister of Industry for leave to surrender its charter, pursuant to the *Canada Corporations Act*.

March 30, 2004

CLAUDE MINOTTO
Secretary

[18-1-o]

CORPORATION DU CONGRÈS INTERNATIONAL DES ARCHIVES 1992

ABANDON DE CHARTE

Avis est par les présentes donné que CORPORATION DU CONGRÈS INTERNATIONAL DES ARCHIVES 1992 demandera à la ministre de l'Industrie la permission d'abandonner sa charte en vertu de la *Loi sur les corporations canadiennes*.

Le 30 mars 2004

Le secrétaire
CLAUDE MINOTTO

[18-1-o]

THE CORPORATION OF THE CITY OF LONDON**PLANS DEPOSITED**

The Corporation of the City of London hereby gives notice that an application has been made to the Minister of Transport under the *Navigable Waters Protection Act* for approval of the plans and site of the work described herein. Under section 9 of the said Act, The Corporation of the City of London has deposited with the Minister of Transport and in the office of the District Registrar of the Land Registry District of Middlesex County, at London, Ontario, under deposit number 950842, a description of the site and plans of the proposed construction of a new bridge to be twinned with the existing bridge carrying Airport Road (formerly Highway 100) traffic over the South Thames River, in the City of London, Township of North Dorchester, in part of Lot 1 S/S Gore, Concession A.

Comments may be directed to the Superintendent, Navigable Waters Protection Program, Transport Canada, 201 Front Street N, Suite 703, Sarnia, Ontario N7T 8B1. However, comments will be considered only if they are in writing, are received not later than 30 days after the date of publication of this notice and are related to the effects of this work on marine navigation. Although all comments conforming to the above will be considered, no individual response will be sent.

London, April 19, 2004

THE CORPORATION OF THE CITY OF LONDON

[18-1-o]

THE CORPORATION OF THE TOWNSHIP OF CENTRAL FRONTENAC**PLANS DEPOSITED**

The Corporation of the Township of Central Frontenac hereby gives notice that an application has been made to the Minister of Transport under the *Navigable Waters Protection Act* for approval of the plans and site of the work described herein. Under section 9 of the said Act, The Corporation of the Township of Central Frontenac has deposited with the Minister of Transport and in the office of the District Registrar of the Land Registry District of the County of Frontenac, at Kingston, Ontario, under deposit number 733235, a description of the site and plans of the replacement of the existing timber Stone's Bridge with a new single-span concrete bridge, over Stone's Creek, on Brewer Road, in front of Lot 11, Concession 10, in the former Olden Township, County of Frontenac.

Comments may be directed to the Superintendent, Navigable Waters Protection Program, Transport Canada, 201 Front Street N, Suite 703, Sarnia, Ontario N7T 8B1. However, comments will be considered only if they are in writing, are received not later than 30 days after the date of publication of this notice and are related to the effects of this work on marine navigation. Although all comments conforming to the above will be considered, no individual response will be sent.

Sharbot Lake, April 19, 2004

THE CORPORATION OF THE TOWNSHIP OF
CENTRAL FRONTENAC

[18-1-o]

THE CORPORATION OF THE CITY OF LONDON**DÉPÔT DE PLANS**

The Corporation of the City of London donne avis, par les présentes, qu'une demande a été déposée auprès du ministre des Transports en vertu de la *Loi sur la protection des eaux navigables*, pour l'approbation des plans et de l'emplacement de l'ouvrage décrit ci-après. The Corporation of the City of London a, en vertu de l'article 9 de ladite loi, déposé auprès du ministre des Transports et au bureau de la publicité des droits du district d'enregistrement du comté de Middlesex, à London (Ontario), sous le numéro de dépôt 950842, une description de l'emplacement et les plans du nouveau pont que l'on propose de construire et de jumeler au pont actuel au-dessus de la rivière Thames sud, sur le chemin Airport (anciennement la route 100), à London, canton de North Dorchester, dans la partie de lot n° 1 S/S Gore, concession A.

Les commentaires éventuels doivent être adressés au Surintendant, Programme de protection des eaux navigables, Transports Canada, 201, rue Front Nord, Bureau 703, Sarnia (Ontario) N7T 8B1. Veuillez noter que seuls les commentaires faits par écrit, reçus au plus tard 30 jours suivant la date de publication de cet avis et relatifs à l'effet de l'ouvrage sur la navigation maritime seront considérés. Même si tous les commentaires répondant à ces exigences seront considérés, aucune réponse individuelle ne sera envoyée.

London, le 19 avril 2004

THE CORPORATION OF THE CITY OF LONDON

[18-1-o]

THE CORPORATION OF THE TOWNSHIP OF CENTRAL FRONTENAC**DÉPÔT DE PLANS**

The Corporation of the Township of Central Frontenac donne avis, par les présentes, qu'une demande a été déposée auprès du ministre des Transports en vertu de la *Loi sur la protection des eaux navigables*, pour l'approbation des plans et de l'emplacement de l'ouvrage décrit ci-après. The Corporation of the Township of Central Frontenac a, en vertu de l'article 9 de ladite loi, déposé auprès du ministre des Transports et au bureau de la publicité des droits du district d'enregistrement du comté de Frontenac, à Kingston (Ontario), sous le numéro de dépôt 733235, une description de l'emplacement et les plans du remplacement du pont Stone's actuel en bois d'œuvre par un nouveau pont en béton à travée unique, au-dessus du ruisseau Stone's, sur le chemin Brewer, en face du lot 11, concession 10, dans l'ancien canton d'Olden, comté de Frontenac.

Les commentaires éventuels doivent être adressés au Surintendant, Programme de protection des eaux navigables, Transports Canada, 201, rue Front Nord, Bureau 703, Sarnia (Ontario) N7T 8B1. Veuillez noter que seuls les commentaires faits par écrit, reçus au plus tard 30 jours suivant la date de publication de cet avis et relatifs à l'effet de l'ouvrage sur la navigation maritime seront considérés. Même si tous les commentaires répondant à ces exigences seront considérés, aucune réponse individuelle ne sera envoyée.

Sharbot Lake, le 19 avril 2004

THE CORPORATION OF THE TOWNSHIP OF
CENTRAL FRONTENAC

[18-1]

COUNTY OF SIMCOE**PLANS DEPOSITED**

The County of Simcoe hereby gives notice that an application has been made to the Minister of Transport under the *Navigable Waters Protection Act* for approval of the plans and site of the work described herein. Under section 9 of the said Act, the County of Simcoe has deposited with the Minister of Transport and in the office of the District Registrar of the Land Registry District of Simcoe County, at Barrie, Ontario, under deposit number R01466810, a description of the site and plans of the replacement of Sidy Bridge, over the Noisy River, at County Road 9, in the Township of Clearview, Ontario, in front of Lots 9 and 10, Concession 7, Township of Clearview.

Comments may be directed to the Superintendent, Navigable Waters Protection Program, Transport Canada, 201 Front Street N, Suite 703, Sarnia, Ontario N7T 8B1. However, comments will be considered only if they are in writing, are received not later than 30 days after the date of publication of this notice and are related to the effects of this work on marine navigation. Although all comments conforming to the above will be considered, no individual response will be sent.

Collingwood, April 19, 2004

MR. J. E. HUNTER
Professional Engineer

[18-1-o]

DEPARTMENT OF FISHERIES AND OCEANS**PLANS DEPOSITED**

Small Craft Harbours and Real Property Services of the Department of Fisheries and Oceans, Quebec Region, hereby gives notice that an application has been made to the Minister of Transport under the *Navigable Waters Protection Act* for approval of the plans and site of the work described herein. Under section 9 of the said Act, Small Craft Harbours and Real Property Services of the Department of Fisheries and Oceans, Quebec Region, has deposited with the Minister of Transport, at Québec, Québec, and in the office of the District Registrar of the Land Registry District of Gaspé, at Percé, Québec, under deposit number 11200654, a description of the site and plans of a 40-metre extension to the existing breakwater and modifications to the navigational aids system at Sainte-Thérèse-de-Gaspé Harbour, in front of an irregular deep water lot, known as block 5 of the Cadastre of the Township of Percé, Registry Division of Gaspé.

Comments regarding the effect of this work on marine navigation may be directed to the Superintendent, Navigable Waters Protection Program, Transport Canada, 101 Champlain Boulevard, Québec, Québec G1K 7Y7. However, comments will be considered only if they are in writing and are received not later than 30 days after the date of publication of this notice. Although all comments conforming to the above will be considered, no individual response will be sent.

Québec, April 19, 2004

DEPARTMENT OF FISHERIES AND OCEANS
MARC DESROSIERS, Ph.D.

[18-1-o]

COUNTY OF SIMCOE**DÉPÔT DE PLANS**

Le County of Simcoe donne avis, par les présentes, qu'une demande a été déposée auprès du ministre des Transports en vertu de la *Loi sur la protection des eaux navigables*, pour l'approbation des plans et de l'emplacement de l'ouvrage décrit ci-après. Le County of Simcoe a, en vertu de l'article 9 de ladite loi, déposé auprès du ministre des Transports et au bureau de la publicité des droits du district d'enregistrement du comté de Simcoe, à Barrie (Ontario), sous le numéro de dépôt R01466810, une description de l'emplacement et les plans du remplacement du pont Sidy, au-dessus de la rivière Noisy, au chemin de comté 9, dans le canton de Clearview (Ontario), en face des lots 9 et 10, concession 7, canton de Clearview.

Les commentaires éventuels doivent être adressés au Surintendant, Programme de protection des eaux navigables, Transports Canada, 201, rue Front Nord, Bureau 703, Sarnia (Ontario) N7T 8B1. Veuillez noter que seuls les commentaires faits par écrit, reçus au plus tard 30 jours suivant la date de publication de cet avis et relatifs à l'effet de l'ouvrage sur la navigation maritime seront considérés. Même si tous les commentaires répondant à ces exigences seront considérés, aucune réponse individuelle ne sera envoyée.

Collingwood, le 19 avril 2004

L'ingénieur
M. J. E. HUNTER

[18-1]

MINISTÈRE DES PÊCHES ET DES OCÉANS**DÉPÔT DE PLANS**

La Direction des ports pour petits bateaux et Services immobiliers du ministère des Pêches et des Océans, région du Québec, donne avis, par les présentes, qu'une demande a été déposée auprès du ministre des Transports en vertu de la *Loi sur la protection des eaux navigables*, pour l'approbation des plans et de l'emplacement de l'ouvrage décrit ci-après. La Direction des ports pour petits bateaux et Services immobiliers du ministère des Pêches et des Océans, région du Québec, a, en vertu de l'article 9 de ladite loi, déposé auprès du ministre des Transports, à Québec (Québec), et au bureau de la publicité des droits du district d'enregistrement de Gaspé, à Percé (Québec), sous le numéro de dépôt 11200654, une description de l'emplacement et les plans d'une extension de 40 mètres du brise-lames actuel et des modifications que l'on prévoit apporter au système d'aides à la navigation du havre de Sainte-Thérèse-de-Gaspé, en face d'un lot de grève en eau profonde de figure irrégulière, connu et désigné comme étant le bloc 5 du cadastre du canton de Percé, circonscription foncière de Gaspé.

Les commentaires relatifs à l'effet de l'ouvrage sur la navigation maritime peuvent être adressés au Surintendant, Programme de protection des eaux navigables, Transports Canada, 101, boulevard Champlain, Québec (Québec) G1K 7Y7. Veuillez noter que seuls les commentaires faits par écrit et reçus au plus tard 30 jours suivant la date de publication de cet avis seront considérés. Même si tous les commentaires répondant à ces exigences seront considérés, aucune réponse individuelle ne sera envoyée.

Québec, le 19 avril 2004

MINISTÈRE DES PÊCHES ET DES OCÉANS
MARC DESROSIERS, Ph.D.

[18-1-o]

L'ÉTANG RUISSEAU BAR LTÉE

PLANS DEPOSITED

L'Étang Ruisseau Bar Ltée hereby gives notice that an application has been made to the Minister of Transport under the *Navigable Waters Protection Act* for approval of the plans and site of the work described herein. Under section 9 of the said Act, L'Étang Ruisseau Bar Ltée has deposited with the Minister of Transport and in the office of the District Registrar of the Land Registry District of Gloucester County, at Bathurst, New Brunswick, under deposit number 18126491, a description of the site and plans of shellfish culture site MS-0238A, in the Bay of Shippagan, Shippagan, New Brunswick. The centre coordinates are approximately at 47°44.39' north latitude and 64°43.56' west longitude (NAD83).

Comments regarding the effect of this work on marine navigation may be directed to the Superintendent, Navigable Waters Protection Program, Transport Canada, Foot of Parker Street, P.O. Box 1000, Dartmouth, Nova Scotia B2Y 3Z8. However, comments will be considered only if they are in writing and are received not later than 30 days after the date of publication of this notice. Although all comments conforming to the above will be considered, no individual response will be sent.

Shippagan, April 15, 2004

ANDRÉ MALLET
President

[18-1-o]

L'ÉTANG RUISSEAU BAR LTÉE

DÉPÔT DE PLANS

L'Étang Ruisseau Bar Ltée donne avis, par les présentes, qu'une demande a été déposée auprès du ministre des Transports en vertu de la *Loi sur la protection des eaux navigables*, pour l'approbation des plans et de l'emplacement de l'ouvrage décrit ci-après. L'Étang Ruisseau Bar Ltée a, en vertu de l'article 9 de ladite loi, déposé auprès du ministre des Transports et au bureau de la publicité des droits du district d'enregistrement du comté de Gloucester, à Bathurst (Nouveau-Brunswick), sous le numéro de dépôt 18126491, une description de l'emplacement et les plans de l'installation de conchyliculture MS-0238A, dans la baie de Shippagan, à Shippagan, au Nouveau-Brunswick. Les coordonnées approximatives du site sont 47°44,39' de latitude nord et 64°43,56' de longitude ouest (NAD83).

Les commentaires relatifs à l'effet de l'ouvrage sur la navigation maritime peuvent être adressés au Surintendant, Programme de protection des eaux navigables, Transports Canada, Rue Parker, Case postale 1000, Dartmouth (Nouvelle-Écosse) B2Y 3Z8. Veuillez noter que seuls les commentaires faits par écrit et reçus au plus tard 30 jours suivant la date de publication de cet avis seront considérés. Même si tous les commentaires répondant à ces exigences seront considérés, aucune réponse individuelle ne sera envoyée.

Shippagan, le 15 avril 2004

Le président
ANDRÉ MALLET

[18-1-o]

EXPORT DEVELOPMENT CANADA

DOCUMENT DEPOSITED

Notice is hereby given, pursuant to section 105 of the *Canada Transportation Act*, that on April 5, 2004, the following document was deposited in the Office of the Registrar General of Canada:

Summary of Security Agreement dated as of April 5, 2004, between TTX Company and Export Development Canada.

April 23, 2004

MCCARTHY TÉTRAULT LLP
Solicitors

[18-1-o]

EXPORT DEVELOPMENT CANADA

DÉPÔT DE DOCUMENT

Avis est par les présentes donné, conformément à l'article 105 de la *Loi sur les transports au Canada*, que le 5 avril 2004 le document suivant a été déposé au Bureau du registraire général du Canada :

Sommaire du contrat de garantie en date du 5 avril 2004 entre la TTX Company et la Export Development Canada.

Le 23 avril 2004

Les conseillers juridiques
MCCARTHY TÉTRAULT s.r.l.

[18-1-o]

FONDATION SALABERRY

RELOCATION OF HEAD OFFICE

Notice is hereby given that Fondation Salaberry has changed the location of its head office to the City of Montréal, Province of Quebec.

April 1, 2004

LUC RENY
Secretary

[18-1-o]

FONDATION SALABERRY

CHANGEMENT DE LIEU DU SIÈGE SOCIAL

Avis est par les présentes donné que Fondation Salaberry a changé le lieu de son siège social qui est maintenant situé à Montréal, province de Québec.

Le 1^{er} avril 2004

Le secrétaire
LUC RENY

[18-1-o]

HSBC BANK CANADA**INTESA BANK CANADA****APPLICATION FOR LETTERS PATENT OF
AMALGAMATION**

Notice is hereby given that HSBC Bank Canada and Intesa Bank Canada intend to make a joint application to the Minister of Finance in accordance with section 228 of the *Bank Act*, S.C. 1991, c. 46, for letters patent of amalgamation continuing the applicants as one bank under the name of HSBC Bank Canada. The head office of the amalgamated bank would be situated in Vancouver, British Columbia.

Vancouver, April 10, 2004

BORDEN LADNER GERVAIS LLP
Solicitors

[15-4-o]

BANQUE HSBC CANADA**BANQUE INTESA CANADA****DEMANDE DE LETTRES PATENTES DE FUSION**

Avis est par les présentes donné que la Banque HSBC Canada et la Banque Intesa Canada ont l'intention de faire une demande conjointe auprès du ministre des Finances, conformément à l'article 228 de la *Loi sur les banques*, L.C. 1991, ch. 46, de lettres patentes de fusion prorogeant les requérants sous la dénomination de Banque HSBC Canada. Le siège social de la banque issue de la fusion serait situé à Vancouver, en Colombie-Britannique.

Vancouver, le 10 avril 2004

Les avocats
BORDEN LADNER GERVAIS s.r.l.

[15-4-o]

HSBC BANK USA**CHANGE OF NAME**

Notice is hereby given that HSBC Bank USA intends to make an application to the Minister of Finance under subsection 528(1) of the *Bank Act*, S.C. 1991, c. 46, to change its name to HSBC Bank USA, National Association.

The principal office in Canada of HSBC Bank USA, National Association will continue to be situated in Toronto, Ontario.

Toronto, April 24, 2004

J. BRADLEY MEREDITH
Principal Officer

[17-4-o]

HSBC BANK USA**CHANGEMENT DE DÉNOMINATION SOCIALE**

Avis est par la présente donné que HSBC Bank USA a l'intention de demander au ministre des Finances, conformément au paragraphe 528(1) de la *Loi sur les banques*, L.C. 1991, ch. 46, de changer son nom pour celui de HSBC Bank USA, National Association.

Le bureau principal de HSBC Bank USA, National Association au Canada sera toujours situé à Toronto, en Ontario.

Toronto, le 24 avril 2004

L'administrateur principal
J. BRADLEY MEREDITH

[17-4-o]

INVESTORS GROUP TRUST CO. LTD.**LETTERS PATENT OF CONTINUANCE**

Notice is hereby given that Investors Group Trust Co. Ltd. intends to apply to the Minister of Finance (Canada) for the issuance of letters patent continuing it as a company pursuant to subsection 31(2) of the *Trust and Loan Companies Act* (Canada) with the name "Investors Group Trust Co. Ltd." in English and "La Compagnie de fiducie du Groupe Investors Ltée" in French.

Any person who objects to the issuance of the proposed letters patent may submit an objection in writing to the Superintendent of Financial Institutions, 255 Albert Street, Ottawa, Ontario K1A 0H2, on or before June 22, 2004.

Winnipeg, April 20, 2004

INVESTORS GROUP TRUST CO. LTD.

[18-4-o]

**LA COMPAGNIE DE FIDUCIE DU GROUPE
INVESTORS LTÉE****LETTRES PATENTES DE PROROGATION**

Avis est par la présente donné que La Compagnie de fiducie du Groupe Investors Ltée prévoit demander au ministre des Finances du Canada l'émission de lettres patentes afin de continuer son incorporation en vertu du paragraphe 2 de l'article 31 de la *Loi sur les sociétés de fiducie et de prêt* (Canada) sous le nom « La Compagnie de fiducie du Groupe Investors Ltée » en français et « Investors Group Trust Co. Ltd. » en anglais.

Toute personne ayant une objection à l'émission de ces lettres patentes peut soumettre une objection par écrit au Surintendant des institutions financières, 255, rue Albert, Ottawa Ontario K1A 0H2, le ou avant le 22 juin 2004.

Winnipeg, le 20 avril 2004

**LA COMPAGNIE DE FIDUCIE DU GROUPE
INVESTORS LTÉE**

[18-4-o]

KIMBERLY-LLOYD DEVELOPMENTS LTD.**PLANS DEPOSITED**

Kimberly-Lloyd Developments Ltd. hereby gives notice that an application has been made to the Minister of Transport under the *Navigable Waters Protection Act* for approval of the plans and

KIMBERLY-LLOYD DEVELOPMENTS LTD.**DÉPÔT DE PLANS**

La société Kimberly-Lloyd Developments Ltd. donne avis, par les présentes, qu'une demande a été déposée auprès du ministre des Transports en vertu de la *Loi sur la protection des eaux*

site of the work described herein. Under section 9 of the said Act, Kimberly-Lloyd Developments Ltd. has deposited with the Minister of Transport and in the office of the Registrar of Deeds of Halifax County, located at 5151 Terminal Road, Halifax, Nova Scotia, under deposit number Exp. 3115, a description of the site and plans of a proposed bridge over McIntosh Run, in front of Drysdale Road, at Spryfield, Halifax County, Nova Scotia.

Comments regarding the effect of this work on marine navigation may be directed to the Superintendent, Navigable Waters Protection Program, Transport Canada, Foot of Parker Street, P.O. Box 1000, Dartmouth, Nova Scotia B2Y 3Z8. However, comments will be considered only if they are in writing and are received not later than 30 days after the date of publication of this notice. Although all comments conforming to the above will be considered, no individual response will be sent.

Halifax, April 23, 2004

ROBERT MACPHERSON
General Manager, Development

[18-1-o]

navigables, pour l'approbation des plans et de l'emplacement de l'ouvrage décrit ci-après. La Kimberly-Lloyd Developments Ltd. a, en vertu de l'article 9 de ladite loi, déposé auprès du ministre des Transports et au bureau du conservateur des titres de propriété du comté de Halifax, situé au 5151, chemin Terminal, Halifax (Nouvelle-Écosse), sous le numéro de dépôt Exp. 3115, une description de l'emplacement et les plans d'un pont que l'on propose de construire au-dessus des rapides McIntosh, en face du chemin Drysdale, à Spryfield, comté de Halifax, en Nouvelle-Écosse.

Les commentaires relatifs à l'effet de l'ouvrage sur la navigation maritime peuvent être adressés au Surintendant, Programme de protection des eaux navigables, Transports Canada, Rue Parker, Case postale 1000, Dartmouth (Nouvelle-Écosse) B2Y 3Z8. Veuillez noter que seuls les commentaires faits par écrit et reçus au plus tard 30 jours suivant la date de publication de cet avis seront considérés. Même si tous les commentaires répondant à ces exigences seront considérés, aucune réponse individuelle ne sera envoyée.

Halifax, le 23 avril 2004

Le directeur général, développement
ROBERT MACPHERSON

[18-1]

THE LAKE ERIE AND DETROIT RIVER RAILWAY COMPANY

ANNUAL GENERAL MEETING

Notice is hereby given that the Annual General Meeting of shareholders of The Lake Erie and Detroit River Railway Company for the election of directors and other general purposes will be held on Tuesday, May 4, 2004, at 11 a.m., Eastern Daylight Time, at the head office of the Company, in the City of Windsor, Province of Ontario.

Windsor, March 22, 2004

RACHEL GEIERSBACK
Secretary

[15-4-o]

THE LAKE ERIE AND DETROIT RIVER RAILWAY COMPANY

ASSEMBLÉE GÉNÉRALE ANNUELLE

Avis est par les présentes donné que l'assemblée générale annuelle des actionnaires de The Lake Erie and Detroit River Railway Company pour l'élection des directeurs et l'examen de questions générales se tiendra le mardi 4 mai 2004, à 11 h (heure avancée de l'Est), au siège social de la société, dans la ville de Windsor, en Ontario.

Windsor, le 22 mars 2004

La secrétaire
RACHEL GEIERSBACK

[15-4-o]

MINISTRY OF TRANSPORTATION OF ONTARIO

PLANS DEPOSITED

The Ministry of Transportation of Ontario hereby gives notice that an application has been made to the Minister of Transport under the *Navigable Waters Protection Act* for approval of the plans and site of the work described herein. Under section 9 of the said Act, the Ministry of Transportation of Ontario has deposited with the Minister of Transport and in the office of the District Registrar of the Land Registry District of Durham Region, at 590 Rossland Road, Whitby, Ontario, under deposit number D549066, a description of the site and plans of the replacement of the existing Beaver River Bridge structure over the Beaver River, on Highway 7/12, in Blackwater, Ontario, in part of Lot 12, Concession 3, in the Township of Brock.

Comments may be directed to the Superintendent, Navigable Waters Protection Program, Transport Canada, 201 Front Street N, Suite 703, Sarnia, Ontario N7T 8B1. However, comments will be considered only if they are in writing, are received not later than 30 days after the date of publication of this notice and are related to the effects of this work on marine navigation. Although all

MINISTÈRE DES TRANSPORTS DE L'ONTARIO

DÉPÔT DE PLANS

Le ministère des Transports de l'Ontario donne avis, par les présentes, qu'une demande a été déposée auprès du ministre des Transports en vertu de la *Loi sur la protection des eaux navigables*, pour l'approbation des plans et de l'emplacement de l'ouvrage décrit ci-après. Le ministère des Transports de l'Ontario a, en vertu de l'article 9 de ladite loi, déposé auprès du ministre des Transports et au bureau de la publicité des droits du district d'enregistrement de la région de Durham, au 590, chemin Rossland, Whitby (Ontario), sous le numéro de dépôt D549066, une description de l'emplacement et les plans de réfection du pont Beaver River au-dessus de la rivière Beaver, sur la route 7/12, à Blackwater (Ontario), dans une partie du lot 12, concession 3, dans le canton de Brock.

Les commentaires éventuels doivent être adressés au Surintendant, Programme de protection des eaux navigables, Transports Canada, 201, rue Front Nord, Bureau 703, Sarnia (Ontario) N7T 8B1. Veuillez noter que seuls les commentaires faits par écrit, reçus au plus tard 30 jours suivant la date de publication de cet avis et relatifs à l'effet de l'ouvrage sur la navigation maritime

comments conforming to the above will be considered, no individual response will be sent.

Thornhill, April 15, 2004

ROBERT BURDETT
Senior Environmental Planner

[18-1-o]

MOUNTAIN VIEW COUNTY

PLANS DEPOSITED

Mountain View County hereby gives notice that an application has been made to the Minister of Transport under the *Navigable Waters Protection Act* for approval of the plans and site of the work described herein. Under section 9 of the said Act, Mountain View County has deposited with the Minister of Transport and in the office of the District Registrar of the Land Registry District of Southern Alberta, at Calgary, Alberta, under deposit number 0411259, a description of the site and plans of the construction of a proposed bridge (Bridge File No. 13078) to carry a local road over the Little Red Deer River, at approximately 4 km north of Water Valley, Alberta, located at WSW 02-30-05-W5M.

Comments may be directed to the Superintendent, Navigable Waters Protection Program, Transport Canada, 201 Front Street N, Suite 703, Sarnia, Ontario N7T 8B1. However, comments will be considered only if they are in writing, are received not later than 30 days after the date of publication of this notice and are related to the effects of this work on marine navigation. Although all comments conforming to the above will be considered, no individual response will be sent.

Calgary, April 20, 2004

AMEC INFRASTRUCTURE LIMITED
TREVIS HANSON
Certified Engineering Technician

[18-1-o]

THE MUNICIPAL DISTRICT OF FOOTHILLS NUMBER 31

PLANS DEPOSITED

The Municipal District of Foothills Number 31 hereby gives notice that an application has been made to the Minister of Transport under the *Navigable Waters Protection Act* for approval of the plans and site of the work described herein. Under section 9 of the said Act, The Municipal District of Foothills Number 31 has deposited with the Minister of Transport and in the office of the District Registrar of the Land Registry District of Southern Alberta, at Calgary, Alberta, under deposit number 0411258, a description of the site and plans of the proposed construction of a bridge (Bridge File No. 01331) to carry a local road over Mosquito Creek, at approximately 7 km south of Cayley, Alberta, located in the south-southeast quarter of Section 02, Township 17, Range 29, west of the Fourth Meridian.

Comments may be directed to the Superintendent, Navigable Waters Protection Program, Transport Canada, 201 Front Street N,

seront considérés. Même si tous les commentaires répondant à ces exigences seront considérés, aucune réponse individuelle ne sera envoyée.

Thornhill, le 15 avril 2004

L'urbaniste en environnement principal
ROBERT BURDETT

[18-1]

MOUNTAIN VIEW COUNTY

DÉPÔT DE PLANS

Le Mountain View County donne avis, par les présentes, qu'une demande a été déposée auprès du ministre des Transports en vertu de la *Loi sur la protection des eaux navigables*, pour l'approbation des plans et de l'emplacement de l'ouvrage décrit ci-après. Le Mountain View County a, en vertu de l'article 9 de ladite loi, déposé auprès du ministre des Transports et au bureau de la publicité des droits du district d'enregistrement du sud de l'Alberta, à Calgary (Alberta), sous le numéro de dépôt 0411259, une description de l'emplacement et les plans de la construction d'un pont (dossier n° 13078) au-dessus de la rivière Little Red Deer, sur un chemin local, situé à environ 4 km au nord de Water Valley, en Alberta, aux coordonnées ouest-sud-ouest, section 2, canton 30, rang 5, à l'ouest du cinquième méridien.

Les commentaires éventuels doivent être adressés au Surintendant, Programme de protection des eaux navigables, Transports Canada, 201, rue Front Nord, Bureau 703, Sarnia (Ontario) N7T 8B1. Veuillez noter que seuls les commentaires faits par écrit, reçus au plus tard 30 jours suivant la date de publication de cet avis et relatifs à l'effet de l'ouvrage sur la navigation maritime seront considérés. Même si tous les commentaires répondant à ces exigences seront considérés, aucune réponse individuelle ne sera envoyée.

Calgary, le 20 avril 2004

AMEC INFRASTRUCTURE LIMITED
Le technicien agréé en ingénierie
TREVIS HANSON

[18-1]

THE MUNICIPAL DISTRICT OF FOOTHILLS NUMBER 31

DÉPÔT DE PLANS

The Municipal District of Foothills Number 31 donne avis, par les présentes, qu'une demande a été déposée auprès du ministre des Transports en vertu de la *Loi sur la protection des eaux navigables*, pour l'approbation des plans et de l'emplacement de l'ouvrage décrit ci-après. The Municipal District of Foothills Number 31 a, en vertu de l'article 9 de ladite loi, déposé auprès du ministre des Transports et au bureau de la publicité des droits du district d'enregistrement du sud de l'Alberta, à Calgary (Alberta), sous le numéro de dépôt 0411258, une description de l'emplacement et les plans d'un pont (dossier n° 01331) que l'on propose de construire au-dessus du ruisseau Mosquito, sur un chemin local, à environ 7 km au sud de Cayley, en Alberta, dans le quart sud-sud-est de la section 02, canton 17, rang 29, à l'ouest du quatrième méridien.

Les commentaires éventuels doivent être adressés au Surintendant, Programme de protection des eaux navigables, Transports

Suite 703, Sarnia, Ontario N7T 8B1. However, comments will be considered only if they are in writing, are received not later than 30 days after the date of publication of this notice and are related to the effects of this work on marine navigation. Although all comments conforming to the above will be considered, no individual response will be sent.

Calgary, April 20, 2004

AMEC INFRASTRUCTURE LIMITED
TREVIS HANSON
Certified Engineering Technician

[18-1-o]

TOWN OF BARRHEAD

PLANS DEPOSITED

The Town of Barrhead hereby gives notice that an application has been made to the Minister of Transport under the *Navigable Waters Protection Act* for approval of the plans and site of the work described herein. Under section 9 of the said Act, the Town of Barrhead has deposited with the Minister of Transport and in the office of the District Registrar of the Land Registry District of Northern Alberta, at Edmonton, Alberta, under deposit number 0421862 042129263, a description of the site and plans of a weir across the Paddle River, at Barrhead, Alberta, in the north-east quarter of Section 20-59-3-5.

Comments may be directed to the Superintendent, Navigable Waters Protection Program, Transport Canada, 201 Front Street N, Suite 703, Sarnia, Ontario N7T 8B1. However, comments will be considered only if they are in writing, are received not later than 30 days after the date of publication of this notice and are related to the effects of this work on marine navigation. Although all comments conforming to the above will be considered, no individual response will be sent.

Edmonton, April 23, 2004

SAMENG INC.

[18-1-o]

TOWN OF MILTON

PLANS DEPOSITED

The Town of Milton hereby gives notice that an application has been made to the Minister of Transport under the *Navigable Waters Protection Act* for approval of the plans and site of the work described herein. Under section 9 of the said Act, the Town of Milton has deposited with the Minister of Transport and in the office of the District Registrar of the Land Registry District of Halton, Region of Halton, at 491 Steeles Avenue E, Milton, Ontario L9T 1Y7, under deposit number G52, a description of the site and plans of the replacement of the existing Bailey Bridge over East Sixteen Mile Creek, on Sixth Line, in front of Lots 1, 2 and 3, Concessions 6 and 7, Town of Milton, Region of Halton.

Comments may be directed to the Superintendent, Navigable Waters Protection Program, Transport Canada, 201 Front Street N, Suite 703, Sarnia, Ontario N7T 8B1. However, comments will be considered only if they are in writing, are received not later

Canada, 201, rue Front Nord, Bureau 703, Sarnia (Ontario) N7T 8B1. Veuillez noter que seuls les commentaires faits par écrit, reçus au plus tard 30 jours suivant la date de publication de cet avis et relatifs à l'effet de l'ouvrage sur la navigation maritime seront considérés. Même si tous les commentaires répondant à ces exigences seront considérés, aucune réponse individuelle ne sera envoyée.

Calgary, le 20 avril 2004

AMEC INFRASTRUCTURE LIMITED
Le technicien agréé en ingénierie
TREVIS HANSON

[18-1]

TOWN OF BARRHEAD

DÉPÔT DE PLANS

La Town of Barrhead donne avis, par les présentes, qu'une demande a été déposée auprès du ministre des Transports en vertu de la *Loi sur la protection des eaux navigables*, pour l'approbation des plans et de l'emplacement de l'ouvrage décrit ci-après. La Town of Barrhead a, en vertu de l'article 9 de ladite loi, déposé auprès du ministre des Transports et au bureau de la publicité des droits du district d'enregistrement du nord de l'Alberta, à Edmonton (Alberta), sous le numéro de dépôt 0421862 042129263, une description de l'emplacement et les plans d'un déversoir traversant la rivière Paddle, à Barrhead, en Alberta, dans le quart nord-est de la section 20-59-3-5.

Les commentaires éventuels doivent être adressés au Surintendant, Programme de protection des eaux navigables, Transports Canada, 201, rue Front Nord, Bureau 703, Sarnia (Ontario) N7T 8B1. Veuillez noter que seuls les commentaires faits par écrit, reçus au plus tard 30 jours suivant la date de publication de cet avis et relatifs à l'effet de l'ouvrage sur la navigation maritime seront considérés. Même si tous les commentaires répondant à ces exigences seront considérés, aucune réponse individuelle ne sera envoyée.

Edmonton, le 23 avril 2004

SAMENG INC.

[18-1]

VILLE DE MILTON

DÉPÔT DE PLANS

La Ville de Milton donne avis, par les présentes, qu'une demande a été déposée auprès du ministre des Transports en vertu de la *Loi sur la protection des eaux navigables*, pour l'approbation des plans et de l'emplacement de l'ouvrage décrit ci-après. La Ville de Milton a, en vertu de l'article 9 de ladite loi, déposé auprès du ministre des Transports et au bureau de la publicité des droits du district d'enregistrement de Halton, région de Halton, au 491, avenue Steeles Est, Milton (Ontario) L9T 1Y7, sous le numéro de dépôt G52, une description de l'emplacement et les plans du pont Bailey existant que l'on propose de remplacer, au-dessus du ruisseau East Sixteen Mile, sur la route Sixth Line, en face des lots 1, 2 et 3, concessions 6 et 7, ville de Milton, région de Halton.

Les commentaires éventuels doivent être adressés au Surintendant, Programme de protection des eaux navigables, Transports Canada, 201, rue Front Nord, Bureau 703, Sarnia (Ontario) N7T 8B1. Veuillez noter que seuls les commentaires faits par

than 30 days after the date of publication of this notice and are related to the effects of this work on marine navigation. Although all comments conforming to the above will be considered, no individual response will be sent.

King City, April 30, 2004

LGL LIMITED
GRANT N. KAUFFMAN
Vice-President, Environmental Planning

[18-1-o]

THE TOWN OF RIVERVIEW

PLANS DEPOSITED

The Town of Riverview hereby gives notice that an application has been made to the Minister of Transport under the *Navigable Waters Protection Act* for approval of the plans and site of the work described herein. Under section 9 of the said Act, The Town of Riverview has deposited with the Minister of Transport and in the Service New Brunswick/Westmorland-Albert Registry Office, at 633 Main Street, Moncton, New Brunswick, under deposit number 18181538, a description of the site and plans of an existing floating dock to accommodate approximately 25 boats, in Petitcodiac River, at the Tri Community Marina, in front of the lot bearing the parcel identifier number 00667899.

Comments regarding the effect of this work on marine navigation may be directed to the Superintendent, Navigable Waters Protection Program, Transport Canada, Foot of Parker Street, P.O. Box 1000, Dartmouth, Nova Scotia B2Y 3Z8. However, comments will be considered only if they are in writing and are received not later than 30 days after the date of publication of this notice. Although all comments conforming to the above will be considered, no individual response will be sent.

Riverview, April 16, 2004

DAVID M. MUIR
Town Administrator and Clerk

[18-1-o]

SONS OF SCOTLAND BENEVOLENT ASSOCIATION

WORKERS BENEVOLENT ASSOCIATION OF CANADA

TRANSFER AND ASSUMPTION AGREEMENT

Notice is hereby given, pursuant to section 254 of the *Insurance Companies Act* (Canada), that Sons of Scotland Benevolent Association (Sons of Scotland) and Workers Benevolent Association of Canada (Workers Benevolent Association) intend to make application to the Minister of Finance on or after May 30, 2004, for the Minister's approval for Workers Benevolent Association to transfer to Sons of Scotland and for Sons of Scotland to assume all of Workers Benevolent Association's insurance policies and policy liabilities pertaining to the Workers Benevolent Association's insurance business pursuant to a transfer and assumption agreement, to be effective January 1, 2004.

écrit, reçus au plus tard 30 jours suivant la date de publication de cet avis et relatifs à l'effet de l'ouvrage sur la navigation maritime seront considérés. Même si tous les commentaires répondant à ces exigences seront considérés, aucune réponse individuelle ne sera envoyée.

King City, le 30 avril 2004

LGL LIMITED
Le vice-président, urbaniste en environnement
GRANT N. KAUFFMAN

[18-1-o]

THE TOWN OF RIVERVIEW

DÉPÔT DE PLANS

The Town of Riverview donne avis, par les présentes, qu'une demande a été déposée auprès du ministre des Transports en vertu de la *Loi sur la protection des eaux navigables*, pour l'approbation des plans et de l'emplacement de l'ouvrage décrit ci-après. The Town of Riverview a, en vertu de l'article 9 de ladite loi, déposé auprès du ministre des Transports et au bureau de la publicité des droits de Westmorland-Albert, situé au 633, rue Main, Moncton (Nouveau-Brunswick), sous le numéro de dépôt 18181538, une description de l'emplacement et les plans d'un quai flottant en place, pouvant permettre à environ 25 bateaux de s'y amarrer, dans la rivière Petitcodiac, à la Tri Community Marina, devant le lot portant le numéro d'identification 00667899.

Les commentaires relatifs à l'effet de l'ouvrage sur la navigation maritime peuvent être adressés au Surintendant, Programme de protection des eaux navigables, Transports Canada, Rue Parker, Case postale 1000, Dartmouth (Nouvelle-Écosse) B2Y 3Z8. Veuillez noter que seuls les commentaires faits par écrit et reçus au plus tard 30 jours suivant la date de publication de cet avis seront considérés. Même si tous les commentaires répondant à ces exigences seront considérés, aucune réponse individuelle ne sera envoyée.

Riverview, le 16 avril 2004

L'administrateur et secrétaire municipal
DAVID M. MUIR

[18-1]

L'ASSOCIATION BÉNÉVOLE DES FILS DE L'ÉCOSSE

L'ASSOCIATION DE SECOURS MUTUELS DES TRAVAILLEURS DU CANADA

CONVENTION DE CESSION ET DE PRISE EN CHARGE

Avis est par les présentes donné que, conformément aux dispositions de l'article 254 de la *Loi sur les sociétés d'assurances* (Canada), L'Association Bénévole des Fils de l'Écosse (Fils de l'Écosse) et L'Association de Secours Mutuels des Travailleurs du Canada ont l'intention de présenter, le 30 mai 2004 ou ultérieurement, une requête auprès du ministre des Finances visant à autoriser, à compter du 1^{er} janvier 2004 et conformément à une convention de cession et de prise en charge, la cession par L'Association de Secours Mutuels des Travailleurs du Canada et la prise en charge par les Fils de l'Écosse de toutes les polices d'assurance canadiennes ainsi que les obligations aux termes des polices d'assurance canadiennes se rapportant au commerce d'assurance de L'Association de Secours Mutuels des Travailleurs du Canada.

Copies of the proposed transfer and assumption agreement and the report of the independent actuary will be available for inspection by the policyholders of Sons of Scotland and Workers Benevolent Association during regular business hours at the Workers Benevolent Association offices at 595 Pritchard Avenue, Winnipeg, Manitoba R2W 2K4, and at the head office of the Sons of Scotland at 40 Eglinton Avenue E, Suite 202, Toronto, Ontario M4P 3A2, for a period of 30 days following publication of this notice.

Toronto, May 1, 2004

SONS OF SCOTLAND BENEVOLENT ASSOCIATION
WORKERS BENEVOLENT ASSOCIATION OF CANADA

[18-1-o]

VOISEY'S BAY NICKEL COMPANY LIMITED

PLANS DEPOSITED

Voisey's Bay Nickel Company Limited hereby gives notice that an application has been made to the Minister of Transport under the *Navigable Waters Protection Act* for approval of the plans and site of the work described herein. Under section 9 of the said Act, Voisey's Bay Nickel Company Limited has deposited with the Minister of Transport and in the Town Office of Nain, the Town Office of Happy Valley-Goose Bay, the Innu Nation Office in Sheshatshiu, and the Band Council Office in Natuashish, Newfoundland and Labrador, a description of the site and plans of a tailings and mineralized mine rock storage facility in Headwater Pond, at the Voisey's Bay project site.

Comments regarding the effect of this work on marine navigation may be directed to the Superintendent, Navigable Waters Protection Program, Transport Canada, P.O. Box 5667, St. John's, Newfoundland and Labrador A1C 5X1. However, comments will be considered only if they are in writing and are received not later than 30 days after the date of publication of this notice. Although all comments conforming to the above will be considered, no individual response will be sent.

St. John's, April 7, 2004

VOISEY'S BAY NICKEL COMPANY LIMITED

[18-1-o]

Une copie de la convention de cession et de prise en charge proposée, ainsi que le rapport de l'actuaire indépendant seront mis à la disposition des titulaires de polices des Fils de l'Écosse et de L'Association de Secours Mutuels des Travailleurs du Canada pour une période de 30 jours suivant la publication du présent avis. Les titulaires de polices pourront les examiner durant les heures normales d'ouverture, au bureau de L'Association de Secours Mutuels des Travailleurs du Canada, situé au 595, avenue Pritchard, Winnipeg (Manitoba) R2W 2K4, ainsi qu'au siège social de L'Association Bénévole des Fils de l'Écosse, situé au 40, avenue Eglinton Est, Bureau 202, Toronto (Ontario) M4P 3A2.

Toronto, le 1^{er} mai 2004

L'ASSOCIATION BÉNÉVOLE DES FILS DE L'ÉCOSSE
L'ASSOCIATION DE SECOURS MUTUELS DES
TRAVAILLEURS DU CANADA

[18-1-o]

VOISEY'S BAY NICKEL COMPANY LIMITED

DÉPÔT DE PLANS

La Voisey's Bay Nickel Company Limited donne avis, par les présentes, qu'une demande a été déposée auprès du ministre des Transports en vertu de la *Loi sur la protection des eaux navigables*, pour l'approbation des plans et de l'emplacement de l'ouvrage décrit ci-après. La Voisey's Bay Nickel Company Limited a, en vertu de l'article 9 de ladite loi, déposé auprès du ministre des Transports ainsi qu'à la mairie de Nain, à la mairie de Happy Valley-Goose Bay, au bureau de la nation innue de Sheshatshiu et au bureau du conseil de bande de Natuashish (Terre-Neuve-et-Labrador), une description de l'emplacement et les plans d'une aire de stockage des résidus et des stériles minéralisés dans le bassin Headwater, sur le site du projet de Voisey's Bay.

Les commentaires relatifs à l'effet de l'ouvrage sur la navigation maritime peuvent être adressés au Surintendant, Programme de protection des eaux navigables, Transports Canada, Case postale 5667, St. John's (Terre-Neuve-et-Labrador) A1C 5X1. Veuillez noter que seuls les commentaires faits par écrit et reçus au plus tard 30 jours suivant la date de publication de cet avis seront considérés. Même si tous les commentaires répondant à ces exigences seront considérés, aucune réponse individuelle ne sera envoyée.

St. John's, le 7 avril 2004

VOISEY'S BAY NICKEL COMPANY LIMITED

[18-1-o]

PROPOSED REGULATIONS**RÈGLEMENTS PROJETÉS***Table of Contents**Table des matières*

	<i>Page</i>		<i>Page</i>
Finance, Dept. of		Finances, min. des	
Bank Holding Company Proposal Regulations.....	1355	Règlement sur les propositions de sociétés de portefeuille bancaires.....	1355
Health, Dept. of		Santé, min. de la	
Cigarette Ignition Propensity Regulations	1386	Règlement sur le potentiel d'allumage des cigarettes ..	1386
Cribs and Cradles Regulations.....	1363	Règlement sur les lits d'enfant et berceaux.....	1363
Order Amending Schedule I to the Hazardous Products Act (Cribs and Cradles)	1384	Décret modifiant l'annexe I de la Loi sur les produits dangereux (lits d'enfant et berceaux).....	1384
Regulations Amending the Tobacco Reporting Regulations	1404	Règlement modifiant le Règlement sur les rapports relatifs au tabac	1404

Bank Holding Company Proposal Regulations

Statutory Authority

Bank Act

Sponsoring Department

Department of Finance

REGULATORY IMPACT ANALYSIS STATEMENT

Description

The Canadian financial services sector has been undergoing rapid change for the better part of a decade. In 1996, the federal government created the Task Force on the Future of the Canadian Financial Services Sector to review and advise on the nature of change taking place in the sector. In 1998, the Task Force issued a report which included numerous conclusions and recommendations. These findings were carefully reviewed by committees of both the House of Commons and the Senate. These committees largely endorsed the findings of the Task Force. Based on the work of the Task Force and the parliamentary committees, the federal government issued a policy paper in June 1999 entitled *Reforming Canada's Financial Services Sector: A Framework for the Future*. This document served as the policy foundation for Bill C-8, *An Act to Establish the Financial Consumer Agency of Canada and to Amend Certain Acts in Relation to Financial Institutions* (FCA Act). Bill C-8 received Royal Assent on June 14, 2001.

The FCA Act provides for significant amendments to the laws governing federal financial institutions. As an integrated package, the amendments brought about by the FCA Act promote efficiency and growth in the financial services sector, foster domestic competition, empower and protect consumers of financial services, and improve the regulatory environment for financial institutions.

A key characteristic of the FCA Act is the use of regulations to provide for a more flexible regulatory framework for the financial sector. This allows the Government to make modest policy adjustments to the framework in response to significant changes taking place in the global environment in which financial institutions operate. Many regulations are being proposed or modified in order to achieve this policy objective of creating a more flexible regulatory regime.

The remaining amendments bring existing regulations in line with changes made to the financial institutions statutes under the FCA Act.

This is the thirteenth package of regulations that has been brought forward to complete the policy intent of the FCA Act. The first twelve packages of regulations were published in the *Canada Gazette*, Part II on October 24, 2001, November 21, 2001, March 13, 2002, April 10, 2002, July 31, 2002, June 19,

Règlement sur les propositions de sociétés de portefeuille bancaires

Fondement législatif

Loi sur les banques

Ministère responsable

Ministère des Finances

RÉSUMÉ DE L'ÉTUDE D'IMPACT DE LA RÉGLEMENTATION

Description

Le secteur des services financiers canadien subit des changements constants depuis près de dix ans. En 1996, le gouvernement fédéral a créé le Groupe de travail sur l'avenir du secteur des services financiers canadien en lui confiant le mandat de se pencher sur la nature des changements en cours dans le secteur et de formuler des avis à ce sujet. En 1998, le Groupe de travail a publié un rapport qui renfermait un grand nombre de conclusions et de recommandations. Les conclusions du Groupe de travail ont reçu un large appui de la part des comités de la Chambre des communes et du Sénat qui ont fait un examen minutieux du rapport. S'inspirant des travaux du Groupe de travail et des comités parlementaires, le gouvernement fédéral a publié un document d'orientation en juin 1999 intitulé *La réforme du secteur des services financiers canadiens : Un cadre pour l'avenir*, qui a servi de fondement au projet de loi C-8, *Loi constituant l'Agence de la consommation en matière financière du Canada et modifiant certaines lois relatives aux institutions financières* (Loi sur l'ACF). Le projet de loi a reçu la sanction royale le 14 juin 2001.

La Loi sur l'ACF prévoit des modifications importantes aux lois qui régissent les institutions financières sous réglementation fédérale. Globalement, ces modifications préconisent l'efficacité et la croissance du secteur des services financiers, favorisent la concurrence au pays, protègent et accroissent le pouvoir des consommateurs de services financiers et améliorent la réglementation des institutions financières.

L'une des principales caractéristiques de la Loi sur l'ACF réside en l'utilisation de règlements afin d'assouplir le cadre de réglementation du secteur financier. Cette mesure permet au Gouvernement d'apporter des ajustements de politique modestes au cadre de réglementation pour tenir compte des changements importants qui se produisent dans le contexte mondial dans lequel évoluent les institutions financières. Un grand nombre de règlements sont proposés ou modifiés pour atteindre l'objectif du Gouvernement qui consiste à créer un régime de réglementation plus souple.

Le reste des modifications vise à harmoniser les règlements en vigueur avec les changements apportés à la législation des institutions financières dans le cadre de la Loi sur l'ACF.

Il s'agit de la treizième série de règlements qui seront proposés pour réaliser les objectifs visés par la Loi sur l'ACF. Les douze premiers ensembles de règlements ont été publiés dans la Partie II de la *Gazette du Canada* le 24 octobre 2001, le 21 novembre 2001, le 13 mars 2002, le 10 avril 2002, le 31 juillet 2002, le

2002, July 31, 2002, October 9, 2002, June 18, 2003, February 26, 2003, July 2, 2003, and August 27, 2003, respectively.

This document discusses the regulatory impact of the following proposed new regulations:

Bank Holding Company Proposal Regulations

Currently, a bank may set up a regulated non-operating holding company via a share-for-share exchange. The *Bank Act* also contains a regulatory authority to develop a second and more flexible mechanism for a bank to set up a bank holding company and to undertake a series of related restructurings.

The Regulations are key to providing this necessary flexibility. The Regulations set out the requirements for the contents of a bank's restructuring proposal, the process for shareholders' approval and the process for Minister's approval.

The Regulations allow a bank to bundle a number of transactions into a proposal and request a single Ministerial approval. The proposal may include transactions that establish a holding company, set up subsidiaries of the holding company, transfer assets between subsidiaries, and bring in outside investment into non-bank subsidiaries. However, major transactions, such as a change in ultimate ownership of a bank or bank holding company, would not be part of any proposal and would need to be brought to the Minister under the normal *Bank Act* rules.

If the Minister gives effect to the proposal, no additional Ministerial approvals under the *Bank Act* would be required. Superintendent approvals and any approvals under other federal financial institutions statutes would still be necessary, but would be reviewed concurrently and administratively streamlined.

To fully understand the Regulations, they should be examined concurrently with the broader administrative and procedural requirements that would have to be followed for a restructuring proposal.

Administrative and Procedural Requirements for Restructuring Proposal

Superintendent authorization

A bank intending to convert to a bank holding company must have a resolution passed by the board directing management to prepare a proposal for conversion. The bank must then obtain the Superintendent's authorization to distribute the proposal to the bank's shareholders. The Office of the Superintendent of Financial Institutions' (OSFI's) initial authorization to permit distribution of the proposal to shareholders does not prejudice any recommendation that the Superintendent may make to the Minister regarding the merits of the proposal or any Superintendent approvals associated with the proposal.

The primary focus of the interaction between OSFI and the bank will be to ensure that OSFI can assess the impact of the proposal on the financial position and risk profile of the bank and all other federally regulated financial institutions in the holding company group. The bank will be expected to provide OSFI with

19 juin 2002, le 31 juillet 2002, le 9 octobre 2002, le 18 juin 2003, le 26 février 2003, le 2 juillet 2003 et le 27 août 2003 respectivement.

Le présent document traite de l'impact des nouveaux projets de règlements suivants sur les réglementations :

Règlement sur les propositions de sociétés de portefeuille bancaires

À l'heure actuelle, une banque peut établir une société de portefeuille inactive réglementée, par le biais d'un échange d'actions. La *Loi sur les banques* prévoit aussi le pouvoir réglementaire d'établir un autre mécanisme, plus souple, en vertu duquel une banque peut établir une société de portefeuille et entreprendre diverses restructurations connexes.

Le *Règlement sur les propositions de sociétés de portefeuille bancaires* constitue un élément fondamental de cette souplesse nécessaire. Le Règlement précise les exigences concernant les éléments que doit contenir la proposition de restructuration de la banque, le processus à suivre pour obtenir l'approbation des actionnaires ainsi que le processus d'approbation par le ministre.

Le Règlement permet à une banque de regrouper un certain nombre de transactions dans une même proposition soumise à l'approbation du ministre. Une telle proposition peut inclure des transactions établissant une société de portefeuille ou des filiales d'une société de portefeuille, cédant des actifs entre filiales ou prévoyant des placements de l'extérieur dans les filiales non bancaires. Cependant, toute transaction d'importance, telle qu'une modification de la propriété ultime d'une banque ou d'une société de portefeuille bancaire, ne peut figurer dans la proposition mentionnée et doit être soumise au ministre suivant les règles habituelles prévues dans la *Loi sur les banques*.

Lorsque le ministre met en œuvre la proposition, aucune autre approbation ministérielle n'est nécessaire en vertu de la *Loi sur les banques*. Les approbations du surintendant, de même que toute autre approbation prévue dans une loi fédérale régissant les institutions financières, seraient néanmoins requises mais pourraient être étudiées en même temps que la proposition, rationalisant ainsi le processus administratif.

Pour bien comprendre la portée du Règlement, il convient d'étudier celui-ci en tenant compte du contexte plus vaste des exigences administratives et des formalités devant être respectées dans le cas d'une proposition de restructuration.

Processus applicable à une proposition de restructuration

Autorisation du surintendant

La banque qui a l'intention de se convertir en société de portefeuille bancaire doit faire adopter une résolution par son conseil d'administration demandant aux dirigeants de la banque d'établir une proposition de conversion. La banque doit par la suite obtenir l'autorisation du surintendant d'envoyer la proposition aux actionnaires. Cette autorisation initiale du Bureau du surintendant des institutions financières (BSIF) de présenter la proposition aux actionnaires ne saurait préjuger de toute recommandation que le surintendant pourrait formuler au ministre concernant le mérite de la proposition ou encore de toute approbation du surintendant se rapportant à la proposition.

Le principal objet des échanges entre le BSIF et la banque sera d'assurer que le BSIF puisse évaluer l'impact de la proposition sur la position financière et le profil de risque de la banque et des autres institutions financières réglementées comprises dans le groupe de la société de portefeuille. On s'attend que la banque

sufficient information to allow OSFI to perform this assessment. This would include:

- a) the information required under subsection 11(2) of the Regulations;
- b) information on asset mix, capital, income and liquidity position; and
- c) any other information that would allow OSFI to ascertain:
 - (i) that the overall soundness of the federally regulated entities will not be threatened,
 - (ii) that the bank holding company will be able to provide adequate financial support to its regulated financial institution subsidiaries, and
 - (iii) the soundness and feasibility of the business strategy.

The bank should also raise at this time any policy issues or other salient matters relating to the proposal.

Amendments

Every proposal must indicate that any material amendment to the proposal will require shareholders' approval.

If an amendment is brought forward that has a material effect on the proposal, then the materially amended proposal must follow the same process as a new proposal.

Timing

The Minister will require that the first transaction or other action in the proposal begin within six months of the Minister's approval.

Shareholders' voting on fundamental changes

Where an entity is undertaking a fundamental change (e.g. continuance) governed by the *Bank Act*, the shareholders of the entity are entitled under the *Bank Act* to vote on that fundamental change.

If a proposal contains such a fundamental change, then the Minister will require that the shareholders of the affected entity approve the fundamental change. However, if the bank making the proposal wholly owns the affected entity, no separate vote will be required under the *Bank Act*.

Alternatives

The enclosed regulations are required in order to bring the policy intent underlying the FCA Act into effect. They are required to round out the implementation of the new policy framework, as outlined in the description. As such, no alternatives to the regulations were considered.

Benefits and costs

The enclosed regulations are integral to the overall policy objectives of the FCA Act. As such, their cost-benefit justification cannot be separated from the overall costs and benefits of the legislative package itself.

The FCA Act provides an improved regulatory structure that balances the competing interests of stakeholders. While individual legislative measures may impose some burden on a particular stakeholder group, there are overall net benefits for all stakeholders. For example,

- Consumers benefit from strengthened consumer protection measures, a more transparent complaints handling process, and the advantages brought about by increased competition.
- Financial institutions face modestly increased regulation through enhanced regulatory rules and a strengthened

fournisse au BSIF suffisamment d'information pour lui permettre d'effectuer l'évaluation mentionnée. Ces renseignements devraient notamment comprendre :

- a) les renseignements indiqués au paragraphe 11(2) du *Règlement sur les propositions de sociétés de portefeuille bancaires*;
- b) des renseignements au sujet de la composition de l'actif, du capital, des revenus et des liquidités;
- c) tout autre renseignement qui permettrait au BSIF d'établir :
 - (i) que la santé financière globale des entités sous réglementation fédérale ne sera pas menacée,
 - (ii) que la société de portefeuille bancaire sera en mesure de fournir un soutien financier adéquat aux filiales de l'institution financière réglementée,
 - (iii) le bien-fondé et la faisabilité de la stratégie commerciale.

Le banque devrait aussi renseigner le BSIF à ce moment sur toute question stratégique ou autre question d'intérêt se rapportant à la proposition.

Modifications

La proposition doit indiquer que toute modification substantielle de celle-ci requerra l'approbation des actionnaires.

Lorsqu'une modification ayant un effet important sur la proposition est présentée, la proposition ainsi modifiée doit suivre le même processus qu'une nouvelle proposition.

Échéancier

Le ministre exigera que la première transaction ou autre action visée par la proposition soit entreprise dans un délai de six mois de l'approbation ministérielle.

Vote des actionnaires au sujet de changements fondamentaux

Lorsqu'une entité envisage un changement fondamental (par exemple, prorogation) régi par la *Loi sur les banques*, les actionnaires de l'entité ont le droit, en vertu de la *Loi sur les banques*, de voter sur un tel changement.

Si une proposition contient un changement fondamental, alors le ministre demandera que celui-ci soit approuvé par les actionnaires de l'entité concernée, sauf si la banque présentant la proposition détient en propriété exclusive l'entité concernée, auquel cas aucun vote distinct n'est requis en vertu de la *Loi sur les banques*.

Solutions envisagées

Il est nécessaire d'adopter les règlements ci-joints pour que les intentions de la politique soutenant la Loi sur l'ACF prennent effet. Ils serviront à mener à bien la mise en œuvre du nouveau cadre de réglementation, conformément à ce qui est dit dans la description. À ce titre, aucune autre solution que les règlements n'a été envisagée.

Avantages et coûts

Les règlements ci-joints font partie intégrante des objectifs généraux de la Loi sur l'ACF. À ce titre, on ne peut pas séparer la justification de ses coûts et avantages de celle de l'ensemble des coûts et avantages de la loi elle-même.

La Loi sur l'ACF fournit un cadre de réglementation amélioré qui tient compte des intérêts différents des intervenants. Il est possible que certaines mesures législatives individuelles imposent un fardeau à un groupe d'intervenants donné, mais dans l'ensemble tous les intervenants en tireront parti. Par exemple,

- Les consommateurs profiteront de mesures de protection renforcées, d'un processus de traitement des réclamations plus transparent et des avantages issus d'une concurrence accrue.
- Les institutions financières sont soumises à une réglementation un peu plus importante à la suite de l'amélioration du

consumer protection regime. However, they benefit from greater organizational flexibility and broader powers. The creation of the Financial Consumer Agency of Canada (FCAC) has an annual budget of about \$7 million, the cost of which is passed on to financial institutions in the form of allocated assessment.

- The Office of the Superintendent of Financial Institutions (OSFI) faces moderately increased regulatory challenges as a result of provisions intended to encourage new entrants, but the cost is offset by improved prudential regulatory powers and increased competition. The exact cost implications for OSFI of the legislative package are not easily calculable. The transfer of responsibility for administering the consumer provisions of the financial institutions legislation to the FCAC reduces OSFI's costs. The relaxed new entrant requirements have increased OSFI's workload and costs, some of which are borne by the new entrants. However, the streamlined approval process has reduced the cost of regulation and cost burden directly borne by financial institutions. In all, it is expected that the improved regulatory structure, once fully implemented, will not have increased OSFI's cost of regulation substantially.

Each of the regulations included in this and other packages is intended to implement a specific aspect of the overall policy structure introduced by the FCA Act. The regulations may either be beneficial, cost/benefit neutral, or impose a burden on one or more relevant stakeholder groups. Since the weighing of costs and benefits has been done at the legislative level, the regulations must be examined in light of their contribution to the balance of the overall policy framework that was approved in the FCA Act.

While most regulations merely round out the policy intention of a provision in the legislation, in a few cases the scope of the burden borne by a stakeholder group is at least partially determined by the regulations. In respect of the *Bank Holding Company Proposal Regulations*, the purpose of the Regulations is to create a more streamlined process for financial institutions to create a bank holding company, which should result in lower costs of the reorganization.

Consultation

The FCA Act and its related regulations are part of a policy development process dating back to 1996. At every stage of the process, stakeholders have been consulted. More recently, working drafts of the enclosed regulation were shared with stakeholders from the banking and insurance industry.

Compliance and enforcement

The Office of the Superintendent of Financial Institutions will be responsible for ensuring compliance with prudential aspects of the Regulations. The Financial Consumer Agency of Canada will be responsible for ensuring compliance with consumer-related Regulations.

cadre de réglementation et du renforcement des mesures de protection des consommateurs, mais en revanche elles bénéficient d'une plus grande souplesse organisationnelle et de pouvoirs plus étendus. L'Agence de la consommation en matière financière du Canada (ACFC), à savoir le nouvel organisme qui sera créé, dispose d'un budget annuel d'environ 7 millions de dollars. Ce coût est transmis aux institutions financières sous la forme d'une cotisation individuelle.

- Le Bureau du surintendant des institutions financières (BSIF) doit faire face à davantage de défis sur le plan de la réglementation à cause des dispositions qui visent à encourager l'arrivée de nouveaux participants, mais le coût supplémentaire qui en découle est compensé par l'amélioration des pouvoirs de réglementation prudentielle et par l'augmentation de la concurrence. Il est difficile de calculer les coûts exacts de l'ensemble de la législation pour le BSIF. Le transfert à l'ACFC de la responsabilité de l'administration des dispositions de la législation des institutions financières ayant trait aux consommateurs a réduit les coûts assumés par le BSIF. L'assouplissement des critères d'admissibilité pour les nouveaux participants a contribué à accroître la charge de travail et les coûts du BSIF (une partie des coûts sera assumée par les nouveaux participants). Toutefois, la rationalisation du processus d'approbation a réduit le coût de la réglementation et le fardeau des coûts assumés directement par les institutions financières. Dans l'ensemble, on ne prévoit pas que le cadre de réglementation amélioré, une fois mis en vigueur, aura augmenté considérablement les coûts de réglementation assumés par le BSIF.

Chacun des règlements inclus dans la présente série et dans les autres séries vise à mettre en œuvre un aspect précis du cadre de réglementation global instauré par la Loi sur l'ACF. Les règlements peuvent être avantageux, ou peuvent n'avoir aucun effet sur le plan des coûts et avantages, ou peuvent imposer un fardeau à un ou plusieurs groupes d'intervenants pertinents. Puisque l'évaluation des coûts et avantages a été effectuée au niveau législatif, il faut examiner les règlements à la lumière de leur contribution à l'équilibre du cadre de réglementation global qui a été approuvé dans la Loi sur l'ACF.

Bien que la plupart des règlements visent simplement à préciser l'orientation d'une disposition de la loi, dans quelques cas, l'étendue du fardeau qui échoit à un groupe d'intervenants est déterminée au moins en partie par les règlements. En ce qui concerne le *Règlement sur les propositions de sociétés de portefeuille bancaires*, le but du règlement est de rationaliser le processus de réglementation pour les institutions financières qui désirent adopter une structure de société de portefeuille bancaire, ce qui devrait réduire les frais associés à cette réorganisation.

Consultations

La Loi sur l'ACF et les règlements pris en application de la loi font partie d'un processus d'élaboration de politiques qui remonte à 1996. Les intervenants concernés ont été consultés à toutes les étapes du processus. Plus récemment, des ébauches du règlement ci-joint ont été portées à l'attention des participants de l'industrie bancaire et des assurances.

Respect et exécution

Le Bureau du surintendant des institutions financières veillera à l'observation des aspects prudentiels des règlements. L'Agence de la consommation en matière financière du Canada assurera l'observation des règlements relatifs aux consommateurs.

Contact

Gerry Salembier, Director, Financial Institutions Division, Financial Sector Policy Branch, Department of Finance, L'Esplanade Laurier, East Tower, 15th Floor, 140 O'Connor Street, Ottawa, Ontario K1A 0G5, (613) 992-1631 (telephone), (613) 943-1334 (facsimile).

Personne-ressource

Monsieur Gerry Salembier, Directeur, Division des institutions financières, Direction de la politique du secteur financier, Ministère des Finances, L'Esplanade Laurier, Tour Est, 15^e étage, 140, rue O'Connor, Ottawa (Ontario) K1A 0G5, (613) 992-1631 (téléphone), (613) 943-1334 (télécopieur).

PROPOSED REGULATORY TEXT

Notice is hereby given that the Governor in Council, pursuant to section 678^a of the *Bank Act*^b, proposes to make the annexed *Bank Holding Company Proposal Regulations*.

Interested persons may make representations with respect to the proposed Regulations within 30 days after the date of publication of this notice. All such representations must cite the *Canada Gazette*, Part I, and the date of publication of this notice, and be addressed to Mr. Gerry Salembier, Financial Sector Policy Branch, Department of Finance, 140 O'Connor Street, Ottawa, Ontario K1A 0G5.

Persons making representations should identify any of those representations the disclosure of which should be refused under the *Access to Information Act*, in particular under sections 19 and 20 of that Act, and should indicate the reasons why and the period during which the representations should not be disclosed. They should also identify any representations for which there is consent to disclosure for the purposes of that Act.

Ottawa, April 21, 2004

EILEEN BOYD
Assistant Clerk of the Privy Council

BANK HOLDING COMPANY PROPOSAL REGULATIONS**INTERPRETATION**

1. The following definitions apply in these Regulations.

“Act” means the *Bank Act*. (*Loi*)

“bank” means a bank that is widely held, within the meaning of section 2.3 of the Act, and that makes an application under subsection 678(1) of the Act. (*banque*)

“proposal” means a proposal described in subsection 678(1) of the Act. (*proposition*)

CONTENTS OF A PROPOSAL

2. A proposal shall contain

(a) a description of the transactions and any actions that would require approval within the meaning of subsection 973(1) of the Act, by which the bank proposes to establish a bank holding company;

(b) a description of the transactions and any actions that would require approval within the meaning of subsection 973(1) of the Act, by which shares of the bank holding company are proposed to be exchanged for shares of the bank;

^a S.C. 2001, c. 9, s. 183

^b S.C. 1991, c. 46

PROJET DE RÉGLEMENTATION

Avis est donné que la gouverneure en conseil, en vertu de l'article 678^a de la *Loi sur les banques*^b, se propose de prendre le *Règlement sur les propositions de sociétés de portefeuille bancaires*, ci-après.

Les intéressés peuvent présenter leurs observations au sujet du projet de règlement dans les trente jours suivant la date de publication du présent avis. Ils sont priés d'y citer la *Gazette du Canada* Partie I, ainsi que la date de publication, et d'envoyer le tout à M. Gerry Salembier, Direction de la politique du secteur financier, Ministère des Finances, 140, rue O'Connor, Ottawa (Ontario), K1A 0G5.

Ils sont également priés d'indiquer, d'une part, celles de ces observations dont la communication devrait être refusée aux termes de la *Loi sur l'accès à l'information* notamment des articles 19 et 20, en précisant les motifs et la période de non-communication et, d'autre part, celles dont la communication fait l'objet d'un consentement pour l'application de cette loi.

Ottawa, le 21 avril 2004

La greffière adjointe du Conseil privé,
EILEEN BOYD

RÈGLEMENT SUR LES PROPOSITIONS DE SOCIÉTÉS DE PORTEFEUILLE BANCAIRES**DÉFINITIONS**

1. Les définitions qui suivent s'appliquent au présent règlement.

« banque » S'entend d'une banque qui est à participation multiple au sens de l'article 2.3 de la Loi et qui présente une demande visée au paragraphe 678(1) de la Loi. (*bank*)

« Loi » La *Loi sur les banques*. (*Act*)

« proposition » Proposition visée au paragraphe 678(1) de la Loi. (*proposal*)

CONTENU DE LA PROPOSITION

2. La proposition contient les renseignements suivants :

a) une description des opérations ou autres mesures qui requièrent un agrément au sens du paragraphe 973(1) de la Loi et au moyen desquelles la banque entend établir une société de portefeuille bancaire;

b) une description des opérations ou autres mesures qui requièrent un agrément au sens du paragraphe 973(1) de la Loi et au moyen desquelles il est proposé d'échanger les actions de la société de portefeuille bancaire pour des actions de la banque;

^a L.C. 2001, ch. 9, art. 183

^b L.C. 1991, ch. 46

- (c) a description of any other transactions and any actions that would require approval within the meaning of subsection 973(1) of the Act, that the bank or the bank holding company proposes to undertake in relation to the proposal;
- (d) the proposed timing of the transactions and actions referred to in paragraphs (a) to (c); and
- (e) a description of the manner and circumstances in which the bank would seek the approval of shareholders with respect to any amendments to the proposal.

DISTRIBUTION OF PROPOSAL

3. The bank shall send the proposal and the independent advisor's report described in paragraph 11(1)(d) to all of its shareholders, together with information about the proposed transactions and actions referred to in section 2 in sufficient detail to permit a shareholder of the bank to form a reasoned judgment about the proposal.

SPECIAL MEETING AND APPROVAL BY BANK'S SHAREHOLDERS

4. The bank shall hold a special meeting of the shareholders of the bank in order to obtain their approval of the proposal.

5. Each share of a bank entitles the shareholder to one vote at the special meeting, whether or not the share otherwise carries the right to vote.

6. Subject to section 9, the holders of shares of a class are entitled to vote separately as a class, if the proposal would

- (a) increase or decrease any maximum number of authorized shares of that class, or increase any maximum number of authorized shares of a class having rights or privileges equal or superior to the shares of that class;
- (b) effect an exchange, reclassification or cancellation of all or part of the shares of that class;
- (c) add, change or remove the rights, privileges, restrictions or conditions attached to the shares of that class and, without limiting the generality of the foregoing,
- (i) remove or change prejudicially rights to accrued dividends or rights to cumulative dividends,
- (ii) add, remove or change prejudicially redemption rights,
- (iii) reduce or remove a dividend preference or a liquidation preference, or
- (iv) add, remove or change prejudicially conversion privileges, options, voting, transfer or pre-emptive rights, or rights to acquire securities of the bank, or sinking fund provisions;
- (d) increase the rights or privileges of any class of shares having rights or privileges equal or superior to the shares of that class;
- (e) create a new class of shares equal or superior to the shares of that class;
- (f) make any class of shares having rights or privileges inferior to the shares of that class equal or superior to the shares of that class; or
- (g) effect an exchange or create a right of exchange of all or part of the shares of another class into the shares of that class.

c) une description des autres opérations ou autres mesures qui requièrent un agrément au sens du paragraphe 973(1) de la Loi et qu'entend réaliser la banque ou la société de portefeuille bancaire concernant la proposition;

d) l'échéancier proposé pour la réalisation des opérations ou autres mesures visées aux alinéas a) à c);

e) un description de la façon dont la banque compte obtenir l'approbation des actionnaires advenant toute modification à la proposition et des circonstances dans lesquelles elle compte le faire.

PRÉSENTATION DE LA PROPOSITION

3. La banque envoie à tous ses actionnaires la proposition et le rapport du conseiller indépendant prévu à l'alinéa 11(1)d), accompagnés de renseignements relatifs aux opérations ou mesures visées à l'article 2 suffisamment détaillés pour permettre aux actionnaires de se former un jugement éclairé sur la proposition.

ASSEMBLÉE EXTRAORDINAIRE ET APPROBATION DES ACTIONNAIRES DE LA BANQUE

4. La banque tient une assemblée extraordinaire de ses actionnaires pour obtenir leur approbation de la proposition.

5. Chaque action de la banque, assortie ou non du droit de vote, donne à l'actionnaire le droit à un vote à l'assemblée extraordinaire.

6. Sous réserve de l'article 9, les détenteurs d'actions d'une catégorie ont le droit de voter séparément si la proposition vise, selon le cas :

- a) à changer le nombre maximal d'actions autorisées de cette catégorie ou à augmenter le nombre maximal d'actions autorisées d'une autre catégorie conférant des droits ou des privilèges égaux ou supérieurs;
- b) à faire échanger, reclasser ou annuler tout ou partie des actions de cette catégorie;
- c) à étendre, modifier ou supprimer les droits, privilèges, restrictions ou conditions dont sont assorties les actions de cette catégorie, notamment :
- (i) en supprimant ou modifiant, de manière préjudiciable, le droit aux dividendes accumulés ou cumulatifs,
- (ii) en étendant, supprimant ou modifiant, de manière préjudiciable, les droits de rachat,
- (iii) en réduisant ou supprimant une préférence en matière de dividende ou de liquidation,
- (iv) en étendant, supprimant ou modifiant, de manière préjudiciable, les privilèges de conversion, options, droits de vote, de transfert, de préemption ou d'acquisition de valeurs mobilières de la banque ou les dispositions relatives aux fonds d'amortissement;
- d) à accroître les droits ou privilèges des actions d'une autre catégorie, conférant des droits ou des privilèges égaux ou supérieurs à ceux de cette catégorie;
- e) à créer une catégorie d'actions égales ou supérieures à celles de cette catégorie;
- f) à rendre égales ou supérieures aux actions de cette catégorie les actions d'une catégorie conférant des droits ou des privilèges inférieurs;
- g) à faire échanger, contre celles de cette catégorie, tout ou partie des actions d'une autre catégorie ou créer un droit à cette fin.

7. Subject to section 9, the holders of a series of shares of a class are entitled to vote separately as a series if the proposal includes anything described in section 6 that would affect the series in a manner different from other shares of the same class.

8. In addition to the right to vote separately that is described in sections 6 and 7, the holders of shares of a class or series are entitled to vote separately as a class or series, as the case may be, if the proposal involves the bank selling all or substantially all of its assets, and the shares of the particular class or series are affected by the sale in a manner different from the shares of another class or series.

9. (1) If the by-laws of a bank provide that, in the case of an amendment to the by-laws referred to in paragraph 218(1)(a), (b) or (e) of the Act, the holders of shares of a class or series are not entitled to vote separately as a class or series on the amendment, and if the proposal deals exclusively with matters in the corresponding provision of these Regulations and does not deal with other matters referred to in section 6, the holders of shares of a class or series are not entitled to vote separately as a class or series on the proposal.

(2) In this section, “corresponding provision” means paragraph 6(a), (b) or (e) of these Regulations in relation to paragraph 218(1)(a), (b) or (e), respectively, of the Act.

10. The proposal is approved by the shareholders of the bank when the shareholders, and the holders of each class or series of shares who are entitled to vote separately as a class or series, have approved the proposal by special resolution.

APPLICATION TO MINISTER

11. (1) Subject to section 13, an application to the Minister to give effect to a proposal shall include

- (a) a copy of the proposal referred to in section 2;
- (b) the resolution of the bank’s board of directors instructing the management of the bank to prepare the proposal;
- (c) the notice of the special meeting referred to in section 4 and the form of proxy and the management proxy circular sent with the notice;
- (d) an independent advisor’s report that states that, with respect to the bank’s shareholders, the consideration, or lack thereof, provided in the proposal is fair from a financial point of view;
- (e) *pro forma* financial statements and capital adequacy calculations of the bank holding company and all its subsidiaries that are Canadian financial institutions that are referred to in any of paragraphs (a) to (d) of the definition “financial institution” in section 2 of the Act;
- (f) a business plan of the bank holding company and all its subsidiaries that are referred to in paragraph (e); and
- (g) the special resolution referred to in section 10, accompanied by a certificate of the bank indicating the results of the votes held in respect of the resolution.

(2) The application shall also include an explanation of the reasons why the transactions or other actions referred to in section 2 that would require an approval within the meaning of subsection 973(1) of the Act are necessary or desirable to give effect to the proposal.

(3) The application shall also include a list of any provisions referred to in section 14 despite which the bank seeks approval in order to give effect to the proposal and, with respect to any of those provisions that are referred to in paragraph 14(b), an explanation of the reasons why the bank seeks to proceed despite that provision.

7. Sous réserve de l’article 9, les détenteurs d’actions d’une série n’ont toutefois le droit de voter séparément que si l’un des objets de la proposition prévus à l’article 6 a un effet particulier sur la série.

8. En sus du droit de voter séparément prévu aux articles 6 et 7, les détenteurs d’actions d’une catégorie ou d’une série ont le droit de voter séparément si dans la proposition la banque vend la totalité ou la quasi-totalité de ses éléments d’actif et si la vente a un effet particulier sur la catégorie ou série.

9. (1) Si les règlements administratifs de la banque prévoient qu’en cas de modifications visées aux alinéas 218(1)a), b) ou e) de la Loi les détenteurs d’actions d’une catégorie ou d’une série n’ont pas le droit de voter séparément sur les modifications et si la proposition porte exclusivement sur un objet prévu dans une disposition correspondante du présent règlement et ne porte pas sur un autre objet prévu à l’article 6, les détenteurs d’actions d’une catégorie ou d’une série n’ont pas le droit de voter séparément sur la proposition.

(2) Au présent article, « disposition correspondante » s’entend des alinéas 6a), b) ou e) du présent règlement qui correspondent respectivement aux alinéas 218(1)a), b) ou e) de la Loi.

10. La proposition est approuvée par les actionnaires de la banque si les actionnaires et les détenteurs d’actions d’une catégorie ou d’une série habiles à voter séparément approuvent la proposition par résolution extraordinaire.

DEMANDE AU MINISTRE

11. (1) Sous réserve de l’article 13, la demande présentée au ministre pour mettre en œuvre une proposition comprend :

- a) une copie de la proposition prévue à l’article 2;
- b) la résolution du conseil d’administration demandant aux dirigeants de la banque d’établir la proposition;
- c) l’avis de l’assemblée extraordinaire visée à l’article 4 ainsi que le formulaire de procuration et la circulaire de la direction sollicitant les procurations qui y ont été joints;
- d) le rapport d’un conseiller indépendant démontrant que la contrepartie — ou l’absence de contrepartie — prévue par la proposition est équitable financièrement à l’égard des actionnaires de la banque;
- e) les états financiers *pro forma* et les calculs de la suffisance de fonds propres de la société de portefeuille bancaire et de toutes ses filiales qui sont des institutions financières canadiennes visées à l’un des alinéas a) à d) de la définition de « institution financière » à l’article 2 de la Loi;
- f) le plan d’affaires de la société de portefeuille bancaire et de toutes ses filiales visées à l’alinéa e);
- g) la résolution extraordinaire mentionnée à l’article 10 accompagnée d’un certificat de la banque indiquant les résultats du vote tenu à l’égard de cette résolution.

(2) La demande comprend également les raisons pour lesquelles les opérations ou autres mesures visées à l’article 2 qui requièrent un agrément au sens du paragraphe 973(1) de la Loi sont nécessaires ou souhaitables pour mettre en œuvre la proposition.

(3) La demande comprend également la liste des dispositions prévues à l’article 14 auxquelles entend déroger la banque et si les dispositions sont prévues à l’alinéa 14b) les raisons pour lesquelles la banque entend déroger à celles-ci.

12. The Minister may request, in relation to an application made in accordance with section 11, any additional information that the Minister considers necessary for considering the application.

13. No application made in accordance with section 11 is valid unless

(a) a notice of intention to make an application under that section has been published at least once a week for a period of four consecutive weeks before the application in the *Canada Gazette* and in a newspaper in general circulation at or near the place where the head office of the bank holding company is to be situated; and

(b) the application is made to the Minister within three months after approval of the proposal by the bank's shareholders.

14. For the purposes of paragraph 678(1)(b) of the Act, the provisions of the Act are

(a) subsections 12(3) and 25(2), section 30, subsection 34(1) as it applies to subsection 25(2), subsections 37(2), 56(1) to (3), 75(5), 228(2), 229(3) and 236(2), section 679 and subsections 686(2), 808(2) and 809(3); and

(b) subsections 34(2) and (3) and 61(2) and (3), sections 70, 215, and 225, subsections 226(1) to (5), 228(1) and 232(1) to (3), section 233, subsections 234(1) to (4), section 235, subsections 236(1), (3) and (4), 398(1) and (2), 399(1) to (4), 400(1) and (2) and 401(1) and (2), section 401.1, subsections 683(2) and (3) and 705(2) and (3), section 714, section 802 as it applies to section 215, section 805, subsections 806(1) to (5), 808(1), 813(1) to (7), 908(1) and (2), 909(1) to (4), 910(1) and (2) and 911(1) and (2), section 912 and subsections 976(2) to (5).

15. After the Minister has given effect to a proposal under section 678 of the Act, the Superintendent shall cause a notice to that effect to be published in the *Canada Gazette*.

AMENDMENT

16. Any amendment to a proposal must be submitted to the Minister for approval.

COMPLETION OF TRANSACTIONS

17. Subject to section 18, all transactions and actions referred to in section 2 in relation to a proposal shall be done within two years after the day on which the first transaction or action is completed.

EXTENSION

18. (1) The Minister may, on request, before the end of the period specified in section 17, extend that period on any terms and conditions that the Minister considers necessary.

(2) In a request for an extension, there shall be a description of why it is impracticable to complete all transactions and actions referred to in section 2 in relation to a proposal within the period referred to in section 17.

COMING INTO FORCE

19. These Regulations come into force on the day on which they are registered.

12. Le ministre peut exiger, relativement à la demande prévue à l'article 11, tout autre renseignement qu'il estime nécessaire à l'examen de la demande.

13. La demande prévue à l'article 11 est recevable seulement si :

a) au moins une fois par semaine pendant quatre semaines consécutives, un avis d'intention de présenter une demande aux termes de cet article a été publié dans la *Gazette du Canada* et dans un journal à grand tirage au lieu ou près du lieu prévu pour le siège de la société de portefeuille bancaire;

b) elle est présentée au ministre dans les trois mois suivant l'approbation de la proposition par les actionnaires de la banque.

14. Pour l'application de l'alinéa 678(1)b) de la Loi, les dispositions de la Loi sont les suivantes :

a) les paragraphes 12(3) et 25(2), l'article 30, le paragraphe 34(1) dans la mesure où il s'applique au paragraphe 25(2), les paragraphes 37(2), 56(1) à (3), 75(5), 228(2), 229(3) et 236(2), l'article 679 et les paragraphes 686(2), 808(2) et 809(3);

b) les paragraphes 34(2) et (3) et 61(2) et (3), les articles 70, 215 et 225, les paragraphes 226(1) à (5), 228(1) et 232(1) à (3), l'article 233, les paragraphes 234(1) à (4), l'article 235, les paragraphes 236(1), (3) et (4), 398(1) et (2), 399(1) à (4), 400(1) et (2) et 401(1) et (2), l'article 401.1, les paragraphes 683(2) et (3) et 705(2) et (3), l'article 714, l'article 802 dans la mesure où il s'applique à l'article 215, l'article 805, les paragraphes 806(1) à (5), 808(1), 813(1) à (7), 908(1) et (2), 909(1) à (4), 910(1) et (2) et 911(1) et (2), l'article 912 et les paragraphes 976(2) à (5).

15. Après que le ministre a mis en œuvre la proposition conformément à l'article 678 de la Loi, le surintendant fait publier dans la *Gazette du Canada* un avis à cet effet.

MODIFICATION

16. Toute modification à la proposition est soumise au ministre pour approbation.

RÉALISATION DES OPÉRATIONS

17. Sous réserve de l'article 18, toute opération ou autre mesure visée à l'article 2 est réalisée dans les deux ans suivant la date à laquelle la première opération ou mesure a été réalisée.

PROLONGATION

18. (1) Le ministre peut, sur demande, avant la fin du délai prévu à l'article 17, prolonger le délai selon les conditions qu'il estime nécessaires.

(2) La demande de prolongation fait mention des raisons pour lesquelles les opérations ou autres mesures visées à l'article 2 ne peuvent être réalisées dans le délai prévu à l'article 17.

ENTRÉE EN VIGUEUR

19. Le présent règlement entre en vigueur à la date de son enregistrement.

Cribs and Cradles Regulations

Statutory Authority

Hazardous Products Act

Sponsoring Department

Department of Health

REGULATORY IMPACT ANALYSIS STATEMENT

Description

The purpose of this regulatory initiative is to improve the protection of the health and safety of the Canadian public, especially children, when using cribs and cradles. This is accomplished by amending the current *Hazardous Products (Cribs and Cradles) Regulations*, as well as Item 25 of Schedule I to the *Hazardous Products Act* (HPA).

The proposed amendment to the current *Cribs and Cradles Regulations* and to Schedule I of the HPA seek to

1. eliminate toeholds that could enable a child to climb out of a crib and fall to the floor with a risk of injury;
2. increase the side-height requirements from 560 mm to 660 mm for rigid folding and rigid portable cribs to make them similar to the requirement for standard cribs; and
3. update the Regulations, which includes amending Item 25 of Part II, Schedule I, to the HPA, from "Standard cribs, portable cribs and cradles" to "Cribs and cradles" thereby broadening the definition of a crib.

In response to industry requests, the proposed amendment also seeks to

1. clarify the definitions of the various types of sides in cribs;
2. continue the exclusion of fabric or soft-sided portable cribs from the scope of the Regulations; and
3. harmonize Canadian requirements with those of the United States concerning the safety of crib corner posts.

The HPA prohibits or restricts the advertisement, sale or importation of products which are or are likely to be a danger to the health or safety of the Canadian public. Under the authority of the HPA, the *Cribs and Cradles Regulations* were introduced in 1974 as a measure to reduce deaths and injuries associated with the use of these consumer products.

During 1994, a proposed amendment to the *Cribs and Cradles Regulations* was published in Part I of the *Canada Gazette*. However, this proposed amendment was ultimately withdrawn and, accordingly, was never published in Part II of the *Canada Gazette*. In 1994, it was proposed to separate safety requirements for cribs from those of cradles and, therefore, two distinct regulations were considered. In due course, this proposal was deemed unnecessary and never entered into force. The current proposed regulatory amendment not only continues to contain merged

Règlement sur les lits d'enfant et berceaux

Fondement législatif

Loi sur les produits dangereux

Ministère responsable

Ministère de la Santé

RÉSUMÉ DE L'ÉTUDE D'IMPACT DE LA RÉGLEMENTATION

Description

La présente initiative de réglementation vise à accroître la protection de la santé et de la sécurité du public canadien, les enfants tout particulièrement, lors de l'utilisation de lits d'enfant et de berceaux, par l'entremise de la modification du *Règlement sur les produits dangereux (lits d'enfant et berceaux)* actuel et de l'article 25 de l'annexe I de la *Loi sur les produits dangereux* (LPD).

La modification proposée du *Règlement sur les lits d'enfant et berceaux* actuel et de l'annexe I de la LPD a pour but :

1. d'éliminer les prises pour les pieds qui pourraient permettre à un enfant de sortir de son lit, de tomber sur le plancher et de se blesser;
2. d'augmenter la hauteur minimale requise des côtés, la faisant passer de 560 mm à 660 mm pour les lits d'enfant rigides pliables et les lits d'enfant rigides portatifs afin de la faire concorder avec l'exigence visant les lits d'enfant ordinaires;
3. de mettre le Règlement à jour, y compris de modifier l'article 25 de la partie II de l'annexe I de la LPD, en remplaçant « Lits d'enfant ordinaires, lits d'enfant portatifs et berceaux » par « Lits d'enfant et berceaux », élargissant ainsi la définition de lit d'enfant.

Pour donner suite aux demandes de l'industrie, la modification proposée vise également à :

1. préciser les définitions des différents types de côtés des lits d'enfant;
2. maintenir l'exclusion des lits portatifs à côtés souples ou en tissu de la portée du Règlement;
3. harmoniser les exigences canadiennes avec celles des États-Unis en ce qui touche la sécurité des poteaux d'angle des lits d'enfant.

La LPD interdit ou restreint la publicité, la vente ou l'importation de produits qui constituent ou pouvant constituer un danger pour la santé ou la sécurité du public canadien. En vertu de la LPD, le *Règlement sur les lits d'enfant et berceaux* a été mis en œuvre en 1974 afin de réduire le nombre de décès et de blessures découlant de l'utilisation de ces produits de consommation.

En 1994, une modification proposée du *Règlement sur les lits d'enfant et berceaux* a fait l'objet d'une publication dans la Partie I de la *Gazette du Canada*. Cette modification proposée a toutefois été retirée et n'a donc jamais été publiée dans la Partie II de la *Gazette du Canada*. En 1994, il a été proposé de scinder les exigences en matière de sécurité visant les lits d'enfant et celles relatives aux berceaux; l'élaboration de deux règlements distincts a donc été envisagée. En fin de compte, cette proposition a été jugée superflue et n'est jamais entrée en vigueur. Non seulement

safety requirements for both cribs and cradles, but also harmonizes Canadian requirements with those of the United States (concerning the safety of crib corner posts).

Cribs and cradles are intended to be used for children without adult supervision. Children constitute a particularly vulnerable segment of the population because they cannot recognize potentially hazardous conditions and, therefore, require a high degree of safety. The *Cribs and Cradles Regulations* specify the minimum safety requirements that these products must meet in order to limit the risk of death and injury to users.

Between 1972 and 1986, a total of 74 deaths directly involving cribs were reported to Health Canada. An amendment was brought to the Regulations in 1986 and, since then, no deaths involving a crib (that met the requirements of the Regulations) have been reported to Health Canada. Each year however, falls from cribs continue to be the primary cause of injuries. Data from Health Canada's *Canadian Hospital Injury Reporting and Prevention Program* indicate that 75 percent of crib injuries reported in ten pediatric and five general hospitals between 1990 and April 2002 were the result of falls, two thirds of which occurred when the child climbed over the rail and out of the crib. The same set of data also indicates that approximately 56 percent of crib-related injuries involved the head, face and neck, hence the potential for serious injury. Given the high incidence of head injuries to children who climb out of their crib, it is unacceptable to permit the sale of a class of cribs with less stringent safeguards such as a lower side-height requirement for rigid-sided portable cribs to protect climbing children. The high rate of falls associated with cribs also underscores the need to eliminate toeholds that enable a child to climb out of the crib.

Folding and portable rigid cribs are less common than standard cribs. Folding cribs are used mainly for travel, including in hotel establishments, as they can be folded for storage without disassembly. Health Canada has received complaints about the safety of these cribs. The current Regulations have different side height requirements for portable and standard cribs. The height requirements are 560 mm and 660 mm respectively. With the exception of mechanisms that control the folding of some rigid cribs, the proposed amendment will require the same side height requirements for standard non-folding rigid cribs and for folding and portable rigid cribs. The similar side height requirements will provide the same level of safety, regardless of the type of rigid crib.

The revised Regulations will prohibit the sale, advertisement and importation of both new and used rigid cribs and cradles which do not meet the requirements and will permit only those that meet the requirements of the Regulations to be sold, advertised, and imported.

Alternatives

Status quo

This alternative has been rejected, as it has been determined that the proposed regulatory changes are required in order to

la modification réglementaire proposée actuelle présente encore des exigences fusionnées en matière de sécurité pour les lits d'enfant et les berceaux, mais elle harmonise aussi les exigences canadiennes avec celles des États-Unis (relativement à la sécurité des poteaux d'angle des lits).

Les lits d'enfant et berceaux sont destinés à être utilisés par des enfants sans la surveillance d'un adulte. Les enfants représentent un groupe particulièrement vulnérable de la population, car ils sont incapables de reconnaître les conditions potentiellement dangereuses; ils requièrent donc un degré élevé de sécurité. Le *Règlement sur les lits d'enfant et berceaux* précise les exigences minimales en matière de sécurité que doivent respecter ces produits afin de réduire les risques de décès et de blessures chez les utilisateurs.

Entre 1972 et 1986, un total de 74 décès impliquant directement des lits d'enfant ont été signalés à Santé Canada. Le Règlement a été modifié en 1986 et, depuis ce temps, aucun décès mettant en cause un lit d'enfant (conforme aux exigences du Règlement) n'a été signalé à Santé Canada. Cependant, tous les ans, les chutes à partir de lits d'enfant demeurent la principale cause de blessures. Des données tirées du *Système canadien hospitalier d'information et de recherche en prévention des traumatismes* de Santé Canada révèlent que 75 p. 100 des blessures occasionnées par des lits d'enfant signalées dans dix hôpitaux pour enfants et dans cinq hôpitaux généraux entre 1990 et avril 2002 découlent de chutes, dont les deux tiers se sont produites parce que l'enfant a franchi la barrière et est sorti du lit d'enfant. Ces mêmes données indiquent qu'environ 56 p. 100 des blessures se rapportant à des lits d'enfant touchaient la tête, le visage et le cou et représentaient donc un risque de blessures graves. Étant donné la fréquence élevée de traumatismes crâniens chez les enfants qui sortent de leur lit, il est inacceptable d'autoriser la vente d'une classe de lits d'enfant offrant des mesures de protection moins strictes, notamment une hauteur minimale requise des côtés plus basse pour les lits d'enfant portatifs à côtés rigides, car il en va de la protection des enfants qui essaient d'en sortir. Le taux élevé de chutes associées aux lits d'enfant fait aussi ressortir la nécessité d'éliminer les prises pour les pieds qui permettent à l'enfant de sortir du lit.

Les lits d'enfant portatifs rigides et pliables sont moins courants que les lits d'enfant ordinaires. Les lits d'enfant pliables sont principalement utilisés pour les déplacements, y compris dans les établissements hôteliers, car ils peuvent être entreposés sans démontage. Santé Canada a reçu des plaintes au sujet de la sécurité de ces lits d'enfant. Le règlement actuel prévoit des exigences différentes pour les lits d'enfant portatifs et les lits d'enfant ordinaires en ce qui a trait à la hauteur des côtés. Les exigences respectives en matière de hauteur sont de 560 mm et de 660 mm. Selon la modification proposée, la hauteur minimale requise pour les côtés sera la même pour les lits d'enfant rigides ordinaires non pliables et les lits d'enfant rigides portatifs et pliables, sauf lorsque le mécanisme de pliage de ces derniers est enclenché. La même exigence visant la hauteur des côtés assurera un niveau de sécurité uniforme, sans égard au type de lit d'enfant rigide.

Le règlement révisé interdira la vente, la publicité et l'importation des lits d'enfant rigides et des berceaux neufs et usagés non conformes aux exigences et autorisera uniquement la vente, la publicité et l'importation des lits d'enfant et berceaux qui respectent les exigences du Règlement.

Solutions envisagées

Le statu quo

Cette option a été rejetée, car il a été établi que les modifications réglementaires proposées sont nécessaires pour assurer aux

afford children in Canada an enhanced level of safety with respect to crib and cradle products. Should the proposed amendments not be made to the Regulations, the result would be that unsafe cribs and cradles would be available to Canadian caregivers.

Adoption of the proposed amended Regulations

This is the preferred method of ensuring that crib and cradle products that are available to the Canadian public afford children an adequate level of safety. The proposed regulatory amendment merely aims to clarify certain aspects of the existing Regulations, in addition to putting in place more stringent safety requirements concerning toeholds as well as increased side height requirements.

The clarifications to the definitions will facilitate compliance from various stakeholders, including the manufacturing industry, with the Regulations. Conversely, if the clarifications are not made, the current ambiguities could (as in the past) result in confusion for crib manufacturers concerning the requirements that apply to their particular crib and cradle products.

The requirement to eliminate crib toeholds is intended to help eliminate the means by which a child can climb out of a crib and risk injury. The industry is currently complying voluntarily and toeholds are essentially not present in cribs on the Canadian marketplace.

The current requirements for rigid portable cribs, folding or not, are less stringent for those pertaining to standard cribs, thus resulting in an increased risk of falls. In the proposed amendment, the safety of these cribs is enhanced by requiring that they have the same side height as rigid standard cribs. The alternative would be to continue with two levels of safety for products that are essentially similar and designed to provide sleeping accommodation for unattended children.

Benefits and costs

The primary benefit of the proposed amendment will be enhanced safety for children placed in rigid-sided cribs. In addition, the amendment will clarify warning statements regarding the proper use of cradles.

The amendment is enacted to decrease child injuries (primarily head injuries), and this should ultimately lead to a decrease in health care costs. Over the last nine years, toeholds have gradually been eliminated from crib and cradle design. Given that manufacturers modify crib designs on a regular basis, the elimination of toeholds should involve no manufacturing cost increases.

Stakeholders have expressed confusion regarding the types of cribs that fall within the scope of the existing Regulations and, accordingly, industry will benefit as a result of the proposed clearer definitions. Furthermore, greater harmonization of the Regulations with the requirements in the United States will facilitate stakeholders compliance.

Consultation

On February 26, 1994, a proposed amendment to the *Cribs and Cradles Regulations* was pre-published in Part I of the *Canada Gazette*. However, this proposed amendment was ultimately withdrawn and, accordingly, was never published in Part II of the *Canada Gazette*. In 1994, it was proposed to separate safety

enfants canadiens un niveau de sécurité accru en ce qui concerne les lits d'enfant et les berceaux. Si les modifications proposées ne sont pas apportées au Règlement, des lits d'enfant et des berceaux dangereux seront accessibles aux fournisseurs de soins du Canada.

Adoption du règlement modifié proposé

Il s'agit de la méthode privilégiée pour assurer que les lits d'enfant et les berceaux accessibles au public canadien offrent un niveau de sécurité adéquat aux enfants. La modification réglementaire proposée vise simplement à préciser certains aspects du règlement actuel, en plus de mettre en œuvre des exigences en matière de sécurité plus rigoureuses en ce qui concerne les prises pour les pieds et la hauteur des côtés.

La clarification des définitions facilitera la conformité de différents intervenants, notamment l'industrie de la fabrication, au Règlement. Réciproquement, si les définitions ne sont pas précisées, les ambiguïtés actuelles pourraient (comme par le passé) embrouiller les fabricants de lits d'enfant qui ne sauraient plus exactement quelles exigences visent leurs lits d'enfant et leurs berceaux.

L'exigence visant à éliminer les prises pour les pieds dans les lits d'enfant a pour but d'aider à supprimer les moyens par lesquels un enfant peut sortir d'un lit et risquer de se blesser. À l'heure actuelle, l'industrie se conforme volontairement aux exigences; la presque totalité des lits d'enfant sur le marché canadien ne possèdent pas de prises pour les pieds.

Les exigences actuelles visant les lits d'enfant rigides portatifs, pliables ou non, sont moins strictes que celles applicables aux lits d'enfant ordinaires, augmentant ainsi les risques de chute. Dans la modification proposée, la sécurité de ces lits d'enfant est accrue, car leurs côtés doivent avoir la même hauteur que ceux des lits d'enfant rigides ordinaires. L'autre choix serait de maintenir deux niveaux de sécurité pour des produits essentiellement pareils qui sont destinés à fournir une installation de couchage aux enfants sans surveillance.

Avantages et coûts

Le principal avantage de la modification proposée sera la sécurité accrue des enfants placés dans des lits d'enfant à côtés rigides. De plus, cette modification éclaircira les mises en garde au sujet de l'utilisation adéquate des berceaux.

La modification est adoptée pour réduire le nombre de blessures chez les enfants (principalement les traumatismes crâniens), ce qui devrait en bout de ligne résulter en la diminution des coûts liés aux soins de santé. Au cours des neuf dernières années, les prises pour les pieds ont graduellement été retirées des modèles de lits d'enfant et de berceaux. Étant donné que les fabricants modifient régulièrement la conception des lits d'enfant, l'élimination des prises pour les pieds ne devrait pas entraîner d'augmentation du coût de fabrication.

Les intervenants ont fait part de leur confusion en ce qui concerne les types de lits d'enfant visés par le règlement actuel; l'industrie profitera donc des définitions clarifiées proposées. Par ailleurs, une plus grande harmonisation du Règlement avec les exigences des États-Unis facilitera la conformité des intervenants.

Consultations

Le 26 février 1994, une modification proposée du *Règlement sur les lits d'enfant et berceaux* a fait l'objet d'une publication préalable dans la Partie I de la *Gazette du Canada*. Cette modification proposée a toutefois été retirée et n'a jamais été publiée dans la Partie II de la *Gazette du Canada*. En 1994, il a été

requirements for cribs from those of cradles and, therefore, two distinct regulations were considered. An information package and letter seeking comments on the proposed amendment was sent to 146 interested parties, including industry (manufacturers, retailers, importers and the industry association), the Consumers' Association of Canada, as well as other organizations such as the Canadian Paediatric Society and the Canadian Institute of Child Health. Since no concerns regarding cradles were raised by stakeholders, appropriate modifications were brought to the proposed amendment only with respect to the requirements for cribs. The 2004 proposed amendment to the *Cribs and Cradles Regulations* takes into account comments received in 1994 and recombines cribs and cradles into one regulation.

Compliance and enforcement

The proposed amendment will not result in any changes to Health Canada's enforcement activities, with the exception that compliance enforcement will be facilitated by the clear Regulations laid out by the amendment.

Compliance and enforcement will continue to follow Departmental policy and procedures, including inspection at retail, and follow-up on the Canadian public and trade complaints. Action taken for non-compliance will range from negotiation with stakeholders, including traders, for the voluntary withdrawal of products from the market to prosecution under the HPA.

Contact

Mr. Jonathan Williams, Product Safety Programme, Healthy Environments and Consumer Safety Branch, Department of Health, Address Locator: 3504D, Ottawa, Ontario K1A 0K9, (613) 948-4671 (telephone), (613) 952-3039 (facsimile), jonathan_williams@hc-sc.gc.ca (electronic mail).

proposé de scinder les exigences en matière de sécurité visant les lits d'enfant et celles relatives aux berceaux; l'élaboration de deux règlements distincts a donc été envisagée. Une trousse d'information et une lettre sollicitant des commentaires sur la modification proposée ont été envoyées à 146 parties intéressées, notamment l'industrie (fabricants, détaillants, importateurs et l'association industrielle), l'Association des consommateurs du Canada de même qu'à d'autres organismes comme la Société canadienne de pédiatrie et l'Institut canadien de la santé infantile. Étant donné que les intervenants n'ont formulé aucune préoccupation au sujet des berceaux, les changements pertinents ont été apportés à la modification proposée uniquement en ce qui touche les exigences relatives aux lits d'enfant. La modification proposée de 2004 du *Règlement sur les lits d'enfant et berceaux* tient compte des commentaires reçus en 1994 et fusionne les lits d'enfant et les berceaux en un seul règlement.

Respect et exécution

La modification proposée n'entraînera aucun changement aux activités d'application de la loi de Santé Canada mis à part le fait que l'application de la conformité sera facilitée par la clarté du règlement prévu par la modification.

Les services de conformité et d'application de la loi continueront de respecter les politiques et procédures ministérielles, notamment l'inspection chez les détaillants et le suivi des plaintes du public canadien et de l'industrie. Les mesures prises en cas de non-conformité iront de la négociation avec les intervenants, y compris les commerçants, pour le retrait volontaire des produits du marché aux poursuites judiciaires en vertu de la LPD.

Personne-ressource

Monsieur Jonathan Williams, Programme de la sécurité des produits, Direction générale de la santé environnementale et de la sécurité des consommateurs, Ministère de la Santé, Indice d'adresse : 3504D, Ottawa (Ontario) K1A 0K9, (613) 948-4671 (téléphone), (613) 952-3039 (télécopieur), jonathan_williams@hc-sc.gc.ca (courriel).

PROPOSED REGULATORY TEXT

Notice is hereby given that the Governor in Council, pursuant to section 5^a of the *Hazardous Products Act*, proposes to make the annexed *Cribs and Cradles Regulations*.

Interested persons may make representations with respect to the proposed Regulations within 75 days after the date of publication of this notice. All such representations must cite the *Canada Gazette*, Part I, and the date of publication of this notice, and be addressed to Jonathan Williams, Manager, Mechanical and Electrical Division, Product Safety Programme, Healthy Environments and Consumer Safety Branch, Department of Health, MacDonald Building, Address Locator 3504D, 123 Slater Street, Ottawa, Ontario K1A 0K9 (fax: (613) 952-3039; e-mail: jonathan_williams@hc-sc.gc.ca).

Persons making representations should identify any of those representations the disclosure of which should be refused under the *Access to Information Act*, in particular under sections 19 and 20 of that Act, and should indicate the reasons why and the period

^a R.S., c. 24 (3rd Supp.), s. 1

PROJET DE RÉGLEMENTATION

Avis est donné que la gouverneure en conseil, en vertu de l'article 5^a de la *Loi sur les produits dangereux*, se propose de prendre le *Règlement sur les lits d'enfant et berceaux*, ci-après.

Les intéressés peuvent présenter leurs observations au sujet du projet de règlement dans les soixante-quinze jours suivant la date de publication du présent avis. Ils sont priés d'y citer la *Gazette du Canada* Partie I, ainsi que la date de publication, et d'envoyer le tout à Jonathan Williams, gestionnaire, Division de la mécanique et de l'électricité, Programme de la sécurité des produits, Direction générale de la santé environnementale et de la sécurité des consommateurs, ministère de la Santé, Immeuble MacDonald, indice d'adresse 3504D, 123, rue Slater, Ottawa (Ontario) K1A 0K9 (téléc. : (613) 952-3039; courriel : jonathan_williams@hc-sc.gc.ca).

Ils sont également priés d'indiquer, d'une part, celles de ces observations dont la communication devrait être refusée aux termes de la *Loi sur l'accès à l'information*, notamment des articles 19 et 20, en précisant les motifs et la période de

^a L.R., ch. 24 (3^e suppl.), art. 1

during which the representations should not be disclosed. They should also identify any representations for which there is consent to disclosure for the purposes of that Act.

Ottawa, April 26, 2004

EILEEN BOYD
Assistant Clerk of the Privy Council

CRIBS AND CRADLES REGULATIONS

INTERPRETATION

Definitions	1. The following definitions apply in these Regulations.
“Act” « <i>Loi</i> »	“Act” means the <i>Hazardous Products Act</i> .
“adjustment position” « <i>position de réglage</i> »	“adjustment position” means a position of a movable side in which the side latches or locks and from which the side cannot be moved without unlatching or unlocking.
“cradle” « <i>berceau</i> »	“cradle” means a rigid cradle.
“crib” « <i>lit d’enfant</i> »	“crib” means a rigid crib and includes a portable crib with rigid sides, but does not include a portable crib with sides made of fabric or a cradle.
“movable side” « <i>côté mobile</i> »	“movable side” means a side of a crib that has more than one position, at least one of which is an adjustment position, and includes a move-under side, a move-above side, a move-sideways side and a rotating side.
“move-above side” « <i>côté relevable</i> »	“move-above side” means a movable side of a crib that can be moved upwards in such a way that the lower surface of the side is above the upper surface of the mattress support when the mattress support is in its lowest position.
“move-sideways side” « <i>côté à glissement latéral</i> »	“move-sideways side” means a movable side of a crib that can be moved sideways in whole, or in part as follows: (a) with the mattress support in any position, either or both of the left and right portions of the side can move in a way that creates an opening above the mattress support and between the two adjacent corner posts; or (b) with the mattress support in its highest position, only the upper portion of the side can move in a way that creates an opening between the two adjacent corner posts, delimited on the bottom by the fixed portion of the side, whose upper surface is less than 230 mm above the upper surface of the mattress support.
“move-under side” « <i>côté abaissable</i> »	“move-under side” means a movable side of a crib that can be moved downwards in such a way that there is less than 230 mm between the upper surface of the side and the upper surface of the mattress support when the mattress support is in its highest position.
“rotating side” « <i>côté pivotant</i> »	“rotating side” means a movable side of a crib that can be rotated around a vertical axis in whole, or in part as follows: (a) with the mattress support in any position, either or both of the left and right portions of the side can move in a way that creates an

non-communication et, d’autre part, celles dont la communication fait l’objet d’un consentement pour l’application de cette loi.

Ottawa, le 26 avril 2004

La greffière adjointe du Conseil privé,
EILEEN BOYD

RÈGLEMENT SUR LES LITS D’ENFANT ET BERCEAUX

DÉFINITIONS

	1. Les définitions qui suivent s’appliquent au présent règlement.	Définitions
« barreau »	Sont assimilés à un barreau un poteau d’angle, une barre, une tige, un panneau et toute autre pièce semblable d’un lit d’enfant ou d’un berceau.	« barreau » “ <i>slat</i> ”
« berceau »	Berceau rigide.	« berceau » “ <i>cradle</i> ”
« côté »	Le côté, la tête ou le pied d’un lit d’enfant ou d’un berceau.	« côté » “ <i>side</i> ”
« côté abaissable »	Côté mobile d’un lit d’enfant qui peut être abaissé jusqu’à ce qu’il y ait moins de 230 mm entre le dessus du côté et la face supérieure du support du matelas, ce dernier étant dans sa position la plus haute.	« côté abaissable » “ <i>move-under side</i> ”
« côté à glissement latéral »	Côté mobile d’un lit d’enfant qui peut être déplacé latéralement soit complètement, soit en partie de l’une des manières suivantes : a) ses parties de gauche et de droite ou l’une des deux se déplacent de façon à créer entre les poteaux d’angle qui lui sont contigus une ouverture au-dessus du support du matelas, quelque soit la position du support; b) la partie supérieure seulement se déplace de façon à créer entre les poteaux d’angle qui lui sont contigus une ouverture, délimitée au bas par le dessus de la partie immobile du côté, lequel dessus se trouve à moins de 230 mm de la face supérieure du support du matelas, dans sa position la plus haute.	« côté à glissement latéral » “ <i>move-sideways side</i> ”
« côté fixe »	Côté d’un lit d’enfant qui n’a qu’une seule position.	« côté fixe » “ <i>stationary side</i> ”
« côté mobile »	Tout côté d’un lit d’enfant qui a plus d’une position, dont au moins une est une position de réglage. S’entend notamment du côté abaissable, du côté relevable, du côté à glissement latéral et du côté pivotant.	« côté mobile » “ <i>movable side</i> ”
« côté pivotant »	Côté mobile d’un lit d’enfant qui peut pivoter selon un axe vertical soit complètement, soit en partie de l’une des manières suivantes : a) ses parties de gauche et de droite ou l’une des deux se déplacent de façon à créer entre les poteaux d’angle qui lui sont contigus une ouverture au-dessus du support du matelas, quelque soit la position du support; b) sa partie supérieure seulement pivote de façon à créer entre les poteaux d’angle qui lui	« côté pivotant » “ <i>rotating side</i> ”

opening above the mattress support and between the two adjacent corner posts; or
 (b) with the mattress support in its highest position, only the upper portion of the side can move in a way that creates an opening between the two adjacent corner posts, delimited on the bottom by the fixed portion of the side, whose upper surface is less than 230 mm above the upper surface of the mattress support.

“side”
 « côté »

“side” means a side, the head or the foot of a crib or cradle.

“slat”
 « barreau »

“slat” includes a corner post, bar, rod, panel or other similar part of a crib or cradle.

“stationary side”
 « côté fixe »

“stationary side” means a side of a crib that has only one position.

sont contigus une ouverture, délimitée au bas par le dessus de la partie immobile du côté, lequel dessus se trouve à moins de 230 mm de la face supérieure du support du matelas, dans sa position la plus haute.

« côté relevable » Côté mobile d’un lit d’enfant qui peut être relevé de façon que son dessous soit plus haut que la face supérieure du support du matelas, ce dernier étant dans sa position la plus basse.

« côté relevable »
 “move-above side”

« lit d’enfant » Lit d’enfant rigide, y compris le lit d’enfant portatif à côtés rigides. Sont exclus de la présente définition le lit portatif dont les côtés sont en tissu et le berceau.

« lit d’enfant »
 “crib”

« Loi » La Loi sur les produits dangereux.

« Loi »
 “Act”

« position de réglage » Position d’un côté mobile à laquelle le côté s’enclenche ou se verrouille et d’où il ne peut être délogé sans déclenchement ou déverrouillage.

« position de réglage »
 “adjustment position”

ADVERTISING, SALE AND IMPORTATION

Authorized advertising, sale and importation

2. The advertising, sale and importation of a crib or cradle is permitted only if the crib or cradle meets all the applicable requirements of these Regulations.

VENTE, IMPORTATION ET PUBLICITÉ

2. La vente, l’importation et la publicité des lits d’enfant et des berceaux ne sont autorisées que si ceux-ci satisfont aux exigences applicables du présent règlement.

Vente, importation et publicité autorisées

REQUIRED INFORMATION

General Provisions

Prohibition — reference to Act or Regulations

3. Any reference, direct or indirect, to the Act or to these Regulations must not be made in any information that is applied to or that accompanies a crib or cradle, or in any advertisement of a crib or cradle.

Information

4. Every crib and cradle, as well as any packaging in which a crib or cradle is displayed to the consumer, must have indelibly printed on it or on a label permanently affixed to it the following information:

- (a) the name and principal place of business in Canada of the importer of the crib or cradle or of the person by or for whom the crib or cradle was made;
- (b) the model name or model number of the crib or cradle; and
- (c) the word “DATE :” followed immediately by words or numerals indicating when the crib or cradle was manufactured, consisting of the year and either the month or week, listed in that order.

Assembly and use

5. (1) Every crib and cradle must have indelibly printed on it or have in or on a pouch that is permanently affixed to it the following information, which must be clearly stated and must include drawings or photographs that illustrate the sequence of steps if necessary:

- (a) instructions as to how to assemble the crib or cradle and a quantitative list of its parts, if it is sold not fully assembled;
- (b) instructions as to how to fold and unfold the crib or cradle, if it can be folded;

RENSEIGNEMENTS EXIGÉS

Dispositions générales

3. Les renseignements joints au lit d’enfant ou au berceau, apposés sur celui-ci ou communiqués dans toute publicité relative à celui-ci ne peuvent porter aucune mention, directe ou indirecte, de la Loi ou du présent règlement.

4. Le lit d’enfant ou le berceau ainsi que l’emballage dans lequel ceux-ci sont présentés aux consommateurs portent, soit sous forme d’une inscription indélébile, soit sous forme d’une étiquette fixée à eux en permanence, les renseignements suivants :

- a) le nom et le principal établissement au Canada de l’importateur du lit d’enfant ou du berceau ou de la personne par qui ou pour qui celui-ci a été fabriqué;
- b) le nom ou le numéro de modèle du lit d’enfant ou du berceau;
- c) le mot « DATE : » suivi immédiatement de mots ou de chiffres indiquant le moment où le lit d’enfant ou le berceau a été fabriqué, à commencer par l’année suivie du mois ou de la semaine.

Interdiction — mention de la Loi ou du Règlement

Renseignements

5. (1) Le lit d’enfant ou le berceau porte, sous forme d’une inscription indélébile, marquée sur celui-ci ou présentée sur une pochette qui y est fixée en permanence, ou contient à l’intérieur de la pochette, les renseignements ci-après énoncés clairement, avec dessins ou photographies illustrant la marche à suivre, s’il y a lieu :

- a) s’il est vendu en pièces détachées, les instructions de montage et la liste quantitative des pièces;
- b) s’il est pliant, la façon de le plier et de le déplier;

Montage et utilisation

(c) if the product is a crib, instructions as to how to adjust the height of the mattress support if the height is adjustable; and

(d) a warning stating that parents or other caregivers should ensure that the crib or cradle is safe by checking regularly, before placing the child in it, that every part is properly and securely in place.

Pouches —
warning

(2) If the information required by subsection (1) is contained in or on a pouch, it must be accompanied by the warning statement set out in section 6 or 9, as the case may be.

Cribs

Warning —
general

6. Every crib must have indelibly printed on it or on a label permanently affixed to it the following warning statement:

“WARNING

Do not use this crib if you cannot strictly follow the enclosed or attached instructions. Do not use this crib for a child who can climb out unaided or who is taller than 90 cm. Do not place cords, straps or similar items that could become wound around a child’s neck, in or near this crib. Ensure that the sides are properly latched or locked in the appropriate position for an unattended child when the crib is occupied. Use a mattress with this crib that is not more than 15 cm thick and that is long enough and wide enough so that the gap between the mattress and either or both of the two sides forming one corner of the crib is not more than 3 cm when the mattress is pushed into the diagonally opposite corner of the crib.

MISE EN GARDE

Ne pas utiliser le lit d’enfant à moins d’être en mesure de suivre rigoureusement les instructions ci-jointes ou apposées sur le lit. Ne pas utiliser le lit si l’enfant est capable d’en sortir sans aide ou mesure plus de 90 cm. Ne pas mettre dans le lit, ou à proximité de celui-ci, des cordes, courroies ou objets semblables qui risqueraient de s’enrouler autour du cou de l’enfant. S’assurer que les côtés du lit sont bien enclenchés ou verrouillés à la position permettant d’y laisser l’enfant sans surveillance. Utiliser un matelas d’une épaisseur maximale de 15 cm. La longueur et la largeur du matelas doivent être telles qu’il n’y ait pas plus de 3 cm entre celui-ci et l’un ou l’autre des deux côtés du lit formant un coin lorsque le matelas est poussé dans le coin diagonalement opposé.”

Warning —
movable sides

7. Every movable side of a crib must have indelibly printed on it or on a label permanently affixed to it the following warning statement:

“WARNING

A child must never be left unattended in the crib when this side is not in the adjustment position designed to provide accommodation for an unattended child.

c) dans le cas du lit d’enfant, si la hauteur du support du matelas est réglable, la façon de la régler;

d) une mise en garde selon laquelle la mère, le père ou toute autre personne s’occupant de l’enfant doivent s’assurer que le lit d’enfant ou le berceau ne présente aucun risque, en vérifiant régulièrement, avant d’y déposer l’enfant, que toutes ses pièces sont correctement et solidement en place.

(2) Si les renseignements visés au paragraphe (1) figurent dans une pochette ou sur celle-ci, ils sont accompagnés de la mise en garde prévue aux articles 6 ou 9, selon le cas.

Pochette —
mise en garde

Lits d’enfant

6. Le lit d’enfant porte, sous forme d’une inscription indélébile ou sous forme d’une étiquette qui y est fixée en permanence, la mise en garde suivante :

Mise en garde
— général

« MISE EN GARDE

Ne pas utiliser le lit d’enfant à moins d’être en mesure de suivre rigoureusement les instructions ci-jointes ou apposées sur le lit. Ne pas utiliser le lit si l’enfant est capable d’en sortir sans aide ou mesure plus de 90 cm. Ne pas mettre dans le lit, ou à proximité de celui-ci, des cordes, courroies ou objets semblables qui risqueraient de s’enrouler autour du cou de l’enfant. S’assurer que les côtés du lit sont bien enclenchés ou verrouillés à la position permettant d’y laisser l’enfant sans surveillance. Utiliser un matelas d’une épaisseur maximale de 15 cm. La longueur et la largeur du matelas doivent être telles qu’il n’y ait pas plus de 3 cm entre celui-ci et l’un ou l’autre des deux côtés du lit formant un coin lorsque le matelas est poussé dans le coin diagonalement opposé.

WARNING

Do not use this crib if you cannot strictly follow the enclosed or attached instructions. Do not use this crib for a child who can climb out unaided or who is taller than 90 cm. Do not place cords, straps or similar items that could become wound around a child’s neck, in or near this crib. Ensure that the sides are properly latched or locked in the appropriate position for an unattended child when the crib is occupied. Use a mattress with this crib that is not more than 15 cm thick and that is long enough and wide enough so that the gap between the mattress and either or both of the two sides forming one corner of the crib is not more than 3 cm when the mattress is pushed into the diagonally opposite corner of the crib. »

7. Tout côté mobile d’un lit d’enfant porte, sous forme d’une inscription indélébile ou sous forme d’une étiquette qui y est fixée en permanence, la mise en garde suivante :

Mise en garde
— côté mobile

« MISE EN GARDE

Ne jamais laisser l’enfant sans surveillance dans le lit d’enfant lorsque ce côté n’est pas à la position de réglage prévue pour y laisser un enfant sans surveillance.

MISE EN GARDE

Ne jamais laisser l'enfant sans surveillance dans le lit d'enfant lorsque ce côté n'est pas à la position de réglage prévue pour y laisser un enfant sans surveillance."

Advertising

8. In any advertisement, the movable side of a crib that is occupied by a child must be in the adjustment position designed to provide accommodation for an unattended child.

Cradles

Warning — general

9. Every cradle must have indelibly printed on it or on a label permanently affixed to it the following warning statement:

“WARNING

Do not use this cradle if you cannot strictly follow the enclosed or attached instructions. Do not use this cradle for a child who can sit up. Do not place cords, straps or similar items that could become wound around a child's neck, in or near this cradle. Use a mattress with this cradle that is not more than 8 cm thick and that is long enough and wide enough so that the gap between the mattress and either or both of the two sides forming one corner of the cradle is not more than 3 cm when the mattress is pushed into the diagonally opposite corner of the cradle.

MISE EN GARDE

Ne pas utiliser le berceau à moins d'être en mesure de suivre rigoureusement les instructions ci-jointes ou apposées sur le berceau. Ne pas utiliser le berceau si l'enfant peut se tenir assis. Ne pas mettre dans le berceau, ou à proximité de celui-ci, des cordes, courroies ou objets semblables qui risqueraient de s'enrouler autour du cou de l'enfant. Utiliser un matelas d'une épaisseur maximale de 8 cm. La longueur et la largeur du matelas doivent être telles qu'il n'y ait pas plus de 3 cm entre le matelas et l'un ou l'autre des deux côtés du berceau formant un coin lorsque le matelas est poussé dans le coin diagonalement opposé."

*Presentation of Information —
Technical Specifications*

Languages, prominence, legibility and durability

10. The information required by these Regulations to be displayed must be

- (a) displayed in both official languages;
- (b) prominently displayed; and
- (c) set out in a manner that is clear and legible and sufficiently durable to remain legible throughout the useful life of the crib or cradle under normal conditions of transportation, storage, sale and use.

Colour contrast

11. The colour contrast between the information and the background must be equivalent to at least a 70 % screen of black on white.

Print — general rules

12. (1) The information must be printed in a standard sans-serif type that

- (a) is not compressed, expanded or decorative; and

WARNING

A child must never be left unattended in the crib when this side is not in the adjustment position designed to provide accommodation for an unattended child. »

Publicité

8. Dans toute publicité, le côté mobile d'un lit d'enfant qui est occupé par un enfant est à la position de réglage prévue pour laisser un enfant sans surveillance.

Berceaux

9. Le berceau porte sous forme d'une inscription indélébile ou sous forme d'une étiquette qui y est fixée en permanence, la mise en garde suivante :

« MISE EN GARDE

Ne pas utiliser le berceau à moins d'être en mesure de suivre rigoureusement les instructions ci-jointes ou apposées sur le berceau. Ne pas utiliser le berceau si l'enfant peut se tenir assis. Ne pas mettre dans le berceau, ou à proximité de celui-ci, des cordes, courroies ou objets semblables qui risqueraient de s'enrouler autour du cou de l'enfant. Utiliser un matelas d'une épaisseur maximale de 8 cm. La longueur et la largeur du matelas doivent être telles qu'il n'y ait pas plus de 3 cm entre le matelas et l'un ou l'autre des deux côtés du berceau formant un coin lorsque le matelas est poussé dans le coin diagonalement opposé.

WARNING

Do not use this cradle if you cannot strictly follow the enclosed or attached instructions. Do not use this cradle for a child who can sit up. Do not place cords, straps or similar items that could become wound around a child's neck, in or near this cradle. Use a mattress with this cradle that is not more than 8 cm thick and that is long enough and wide enough so that the gap between the mattress and either or both of the two sides forming one corner of the cradle is not more than 3 cm when the mattress is pushed into the diagonally opposite corner of the cradle. »

*Présentation des renseignements —
exigences techniques*

10. Les renseignements exigés aux termes du présent règlement sont :

- a) présentés dans les deux langues officielles;
- b) placés bien en évidence;
- c) clairs, lisibles et suffisamment durables pour demeurer lisibles pendant la vie utile du lit d'enfant ou du berceau, dans les conditions normales de transport, d'entreposage, de vente et d'utilisation.

Langues, mise en évidence, lisibilité et durabilité

11. Le contraste entre la couleur utilisée pour les renseignements et celle utilisée pour le fond équivaut à au moins un écran de 70 % de noir sur blanc.

Couleurs contrastantes

12. (1) Les renseignements sont imprimés en lettres linéales standard qui :

- a) ne sont ni resserrées, ni élargies, ni décoratives;

Caractères typographiques — normes générales

	(b) as illustrated in Schedule 1, has a large body size or "x-Height" relative to the ascender or descender of the type.	b) ont une hauteur « x » supérieure au jambage ascendant ou descendant, comme il est illustré à l'annexe 1.	
Measurement of height of type	(2) The height of the type referred to in subsection (1) is determined by measuring an upper-case letter or a lower-case letter that has an ascender or descender, such as "b" or "p".	(2) La détermination de la hauteur des caractères visés au paragraphe (1) se fait par la mesure d'une lettre majuscule ou d'une lettre minuscule qui possède un jambage ascendant ou descendant, tel un « b » ou un « p ».	Détermination de la hauteur des caractères
Signal word — characteristics	13. (1) The signal words " WARNING " and " MISE EN GARDE " must be displayed in bold-faced, upper-case type not less than 5 mm in height.	13. (1) Les mots indicateurs « MISE EN GARDE » et « WARNING » sont en caractères gras et en lettres majuscules d'une hauteur minimale de 5 mm.	Mots indicateurs — caractéristiques
Other information — height	(2) The information must be displayed in type not less than 2.5 mm in height.	(2) Tous les renseignements sont en caractères d'une hauteur minimale de 2,5 mm.	Autres renseignements — hauteur

CONSTRUCTION AND PERFORMANCE STANDARDS

NORMES DE CONSTRUCTION ET DE RENDEMENT

General Provisions

Dispositions générales

Shearing and pinching	14. Every crib and cradle must be constructed so as to preclude injury to a child from shearing or pinching.	14. Le lit d'enfant ou le berceau est fabriqué de façon que l'enfant ne puisse se blesser par cisaillement ou par pincement.	Cisaillement et pincement
Wood, plastic or similar hard material	15. (1) Every exposed part of a crib or cradle that is made of wood, plastic or a similar hard material must be smoothly finished to eliminate sharp edges, sharp corners and points and must be free from splits, cracks and other defects.	15. (1) Toute pièce à découvert du lit d'enfant ou du berceau qui est en bois, en plastique ou en un matériau d'une rigidité semblable est exempte de fente, fissure ou autre défaut et a un fini lisse de manière à ne comporter aucun rebord acéré, coin coupant ni aucune pointe.	Bois, plastique ou matériau semblable
Metal	(2) Every exposed part of a crib or cradle that is made of metal must be smoothly finished and must be free from sharp edges, sharp corners, points and projections.	(2) Toute pièce à découvert du lit d'enfant ou du berceau qui est en métal a un fini lisse de manière à ne comporter aucun rebord acéré, coin coupant, élément saillant ni aucune pointe.	Métal
Metal tubing	(3) Every cut edge of any metal tubing that is accessible to an occupant of a crib or cradle must be (a) smoothly finished to eliminate sharp edges, sharp corners and points; or (b) protected by a cap that remains in place when subjected to a force of 90 N applied in any direction.	(3) L'extrémité coupée de tout tube métallique qui se trouve à la portée de l'occupant du lit d'enfant ou du berceau : a) soit a un fini lisse de manière à ne comporter aucun rebord acéré, coin coupant ni aucune pointe; b) soit est munie d'un embout protecteur qui reste en place lorsqu'il est soumis à une force de 90 N appliquée dans n'importe quelle direction.	Tube métallique
Bolts	(4) The threaded end of every bolt that is accessible to an occupant of a crib or cradle must be protected by an acorn nut or an equally effective device.	(4) L'extrémité filetée de tout boulon qui se trouve à la portée de l'occupant du lit d'enfant ou du berceau est recouverte d'un écrou borgne ou d'un dispositif offrant une protection équivalente.	Boulon
Open holes	16. Every open hole in a wooden, plastic, or metal part or in a part of a similar hard material of a crib or cradle that is accessible to an occupant of the crib or cradle (a) must be of such size or shape that if it admits a rod 5.5 mm in diameter it will also admit a rod 10 mm in diameter; or (b) if the minor dimension of the hole is between 5.5 and 10 mm, must have a depth that is not greater than the minor dimension.	16. Chaque trou à découvert présent dans une pièce en bois, en plastique, en métal ou en un matériau d'une rigidité semblable et à la portée de l'occupant du lit d'enfant ou du berceau a : a) soit une taille et une forme telles que s'il peut recevoir une tige d'un diamètre de 5,5 mm, il puisse également recevoir une tige d'un diamètre de 10 mm; b) soit une profondeur égale ou inférieure à la plus petite dimension de son ouverture, si cette dimension est entre 5,5 mm et 10 mm.	Trous à découvert
Coil springs	17. Every coil spring that is accessible to an occupant of a crib or cradle must be covered or constructed in such a way so as to preclude injury.	17. Les ressorts hélicoïdaux qui sont à la portée de l'occupant du lit d'enfant ou du berceau sont recouverts ou fabriqués de façon qu'ils ne puissent blesser l'enfant.	Ressorts hélicoïdaux

Mattress	<p>18. Any mattress that is supplied with a crib or cradle</p> <p>(a) must not be more than</p> <p>(i) 150 mm thick, in the case of a crib, or</p> <p>(ii) 80 mm thick, in the case of a cradle;</p> <p>(b) must be of such length and width that the gap between the mattress and either or both of the sides forming one corner of the crib or cradle is not more than 30 mm when the mattress is pushed into the diagonally opposite corner of the crib or cradle; and</p> <p>(c) must be stitched using lock stitching.</p>	<p>18. Le matelas fourni avec le lit d'enfant ou le berceau :</p> <p>a) a une épaisseur :</p> <p>(i) dans le cas d'un lit d'enfant, d'au plus 150 mm,</p> <p>(ii) dans le cas d'un berceau, d'au plus 80 mm;</p> <p>b) est d'une longueur et d'une largeur telles qu'il n'y a pas plus de 30 mm entre le matelas et l'un ou l'autre des deux côtés du lit ou du berceau formant un coin lorsque le matelas est poussé dans le coin diagonalement opposé;</p> <p>c) est cousu au moyen de points noués.</p>	Matelas
Mesh — size of openings	<p>19. (1) The size of the openings in any mesh on a crib or cradle must be such that, when tested in accordance with Schedule 2, the tip of a probe of the type shown in Figure 1 of that schedule must not be capable of passing through an opening.</p>	<p>19. (1) La taille des mailles de tout filet du lit d'enfant ou du berceau est telle qu'au cours de l'essai visé à l'annexe 2, l'extrémité de la sonde visée à la figure 1 de cette annexe ne puisse y pénétrer.</p>	Mailles du filet — taille
Mesh — strength and integrity	<p>(2) Any mesh on a crib or cradle must not, when tested in accordance with Schedule 3,</p> <p>(a) break or rupture; or</p> <p>(b) become separated from its supporting structure or attachments.</p>	<p>(2) Les mailles de tout filet du lit d'enfant ou du berceau, lorsque mises à l'essai selon l'annexe 3, ne doivent pas :</p> <p>a) se briser ou se rompre;</p> <p>b) se séparer de leurs supports ou de leurs attaches.</p>	Mailles du filet — résistance et intégrité
Small parts	<p>20. Every part of a crib or cradle that is small enough to be placed entirely in a small parts cylinder of the type shown in Figure 1 of Schedule 4 must be fitted or affixed to the crib or cradle so that the part does not become detached from the crib or cradle when subjected to a force of 90 N applied in any direction.</p>	<p>20. Toute pièce du lit d'enfant ou du berceau qui est assez petite pour entrer complètement dans le cylindre pour petites pièces illustré à la figure 1 de l'annexe 4 est chevillée ou fixée au lit d'enfant ou au berceau de façon à ne pas s'en détacher sous l'effet d'une force de 90 N appliquée dans n'importe quelle direction.</p>	Petites pièces
Flammability	<p>21. A part of a crib or cradle made in whole or in part of a textile fibre must not, when tested in accordance with the method set out in standard CAN/CGSB-4.2, No. 27.5-94 of the Canadian General Standards Board, entitled <i>Textile Test Methods, Flame Resistance-45° Angle Test-One Second Flame Impingement</i>, published in November 1994, have a time of flame spread of seven seconds or less if</p> <p>(a) the part does not have a raised fibre surface; or</p> <p>(b) the part has a raised fibre surface and exhibits ignition or fusion of its base fibres.</p>	<p>21. Toute pièce du lit d'enfant ou du berceau composée entièrement ou partiellement de fibres textiles a, lors de sa mise à l'essai selon la norme CAN/CGSB-4.2, N° 27.5-94 de l'Office des normes générales du Canada, intitulée <i>Méthodes pour épreuves textiles - Essai de résistance à l'inflammation sous un angle de 45° — Application de la flamme pendant une seconde</i>, dans sa version publiée en novembre 1994, un temps de propagation de la flamme supérieur à sept secondes :</p> <p>a) s'il s'agit d'une partie n'ayant pas de surface en fibres grattées;</p> <p>b) s'il s'agit d'une partie ayant une surface en fibres grattées et s'il y a inflammation ou fusion des fibres de fond.</p>	Inflammabilité
Rocking or swinging	<p>22. A crib or cradle that rocks or swings must not be constructed so that it can rock or swing beyond a 20° angle from the vertical.</p>	<p>22. Le lit d'enfant ou le berceau est construit de manière que son oscillation ne soit pas supérieure à 20° par rapport à la verticale.</p>	Oscillation
Coatings	<p>23. A crib or cradle must not have applied to it a surface coating that contains any of the substances referred to in paragraphs 9(b) to (d) of Part I of Schedule I to the Act.</p>	<p>23. Le lit d'enfant ou le berceau ne peut être recouvert d'un revêtement contenant l'une des substances visées aux alinéas 9b) à d) de la partie I de l'annexe I de la Loi.</p>	Revêtements
	<i>Cribs</i>	<i>Lits d'enfant</i>	
Side of more than one type	<p>24. If a side of a crib has characteristics of more than one of the types of sides defined in section 1, it must meet the requirements and standards set out in these Regulations that apply to each of those types of sides.</p>	<p>24. Le côté d'un lit d'enfant qui possède les caractéristiques de plus d'un type de côté défini à l'article 1 doit satisfaire aux exigences et normes prévues par le présent règlement pour chacun de ces types de côté.</p>	Côtés de plus d'un type

Height of stationary sides — mattress support in lowest position	<p>25. (1) The upper surface of the mattress support of a crib, when the mattress support is in its lowest position, must be</p> <p>(a) at least 660 mm lower than the upper surface of the lowest stationary side; and</p> <p>(b) not lower than the lower surface of any stationary side.</p>	<p>25. (1) La face supérieure du support du matelas du lit d'enfant, dans sa position la plus basse :</p> <p>a) se trouve au moins 660 mm plus bas que le dessus du côté fixe le plus bas;</p> <p>b) ne peut être plus basse que le dessous de tout côté fixe.</p>	<p>Hauteur du côté fixe — support du matelas dans sa position la plus basse</p>
Height of movable sides — mattress support in lowest position	<p>(2) Every movable side must have an adjustment position in which the upper surface of the mattress support, when the mattress support is in its lowest position, is</p> <p>(a) at least 660 mm lower than the upper surface of the movable side; and</p> <p>(b) not lower than the lower surface of any movable side.</p>	<p>(2) Tout côté mobile a une position de réglage où la face supérieure du support du matelas, dans sa position la plus basse :</p> <p>a) se trouve au moins 660 mm plus bas que le dessus du côté mobile;</p> <p>b) ne peut être plus basse que le dessous de tout côté mobile.</p>	<p>Hauteur du côté mobile — support du matelas dans sa position la plus basse</p>
Height of sides — mattress support in highest position	<p>26. The upper surface of the mattress support of a crib, when the mattress support is in its highest position, must be</p> <p>(a) at least 380 mm lower than the upper surface of the lowest stationary side;</p> <p>(b) if the crib has a movable side other than a move-under side, at least 230 mm lower than the upper surface of the movable side, when that side is in any adjustment position; and</p> <p>(c) if the crib has a move-under side, at least 230 mm lower than the upper surface of the move-under side, when that side is in any vertical adjustment position.</p>	<p>26. La face supérieure du support du matelas du lit d'enfant, dans sa position la plus haute :</p> <p>a) se trouve au moins 380 mm plus bas que le dessus du côté fixe le plus bas;</p> <p>b) si le lit a un côté mobile autre qu'un côté abaissable, se trouve au moins 230 mm plus bas que le dessus du côté mobile, quelle que soit sa position;</p> <p>c) si le lit a un côté abaissable, se trouve au moins 230 mm plus bas que le dessus de ce côté, quelle que soit la position de réglage vertical.</p>	<p>Hauteur des côtés — support du matelas dans sa position la plus haute</p>
Height of move-above sides	<p>27. The lower surface of each move-above side must, in every adjustment position in which that lower surface is above the upper surface of the mattress support, be at least 360 mm higher than the upper surface of the mattress support when the mattress support is in any position.</p>	<p>27. Le dessous de tout côté relevable, dans chaque position de réglage où ce dessous est plus haut que la face supérieure du support du matelas, se trouve au moins 360 mm plus haut que la face supérieure de ce support, quelle que soit la position de ce dernier.</p>	<p>Hauteur du côté relevable</p>
Latching or locking mechanism — movable sides	<p>28. (1) A movable side must be held in each of its adjustment positions by means of a mechanism that</p> <p>(a) latches or locks automatically; and</p> <p>(b) requires two separate, deliberate and simultaneous actions on the part of the user to unlatch or unlock it.</p>	<p>28. (1) Tout côté mobile se fixe en position de réglage au moyen d'un mécanisme qui :</p> <p>a) s'enclenche ou se verrouille automatiquement;</p> <p>b) exige l'exécution simultanée par l'utilisateur de deux opérations distinctes délibérées pour se déclencher ou se déverrouiller.</p>	<p>Mécanisme d'enclenchement ou de verrouillage — côté mobile</p>
Latching or locking mechanism — move-above sides in highest position	<p>(2) In addition to the requirement prescribed in paragraph (1)(b), a move-above side must, in its highest adjustment position, have a mechanism that requires a push or pull force of at least 35 N or a torque of at least 8 N·m to unlatch or unlock it.</p>	<p>(2) Outre l'exigence prévue à l'alinéa (1)b), tout côté relevable a, dans sa position de réglage la plus haute, un mécanisme qui exige, pour se déclencher ou se déverrouiller, l'application soit d'une force de poussée ou de traction d'au moins 35 N, soit d'un couple d'au moins 8 N·m.</p>	<p>Mécanisme d'enclenchement ou de verrouillage — côté relevable dans sa position la plus haute</p>
Latching or locking mechanism — move-above sides	<p>(3) A move-above side must, in every adjustment position in which the lower surface of the side is at least 360 mm above the upper surface of the mattress support when the mattress support is in any position, remain in that adjustment position when a pull force of 200 N is applied to the side along its plane, at any point along the length of the bottom rail of the side, in a direction that is perpendicular to the side.</p>	<p>(3) Tout côté relevable, dans chaque position de réglage où le dessous de ce côté se trouve au moins 360 mm plus haut que la face supérieure du support du matelas, quelle que soit la position, demeure à sa position de réglage lorsqu'une force de traction de 200 N est appliquée dans le plan du côté, à n'importe quel point situé sur la traverse inférieure de ce côté et dans une direction perpendiculaire à ce côté.</p>	<p>Mécanisme d'enclenchement ou de verrouillage — côté relevable</p>
Latching or locking mechanism — rotating sides	<p>(4) The latching or locking mechanism of every rotating side, must remain latched or locked when a force of 200 N is applied towards the exterior of the crib at any point</p> <p>(a) if the side rotates in whole, on that side or on any part of the mechanism; or</p>	<p>(4) Le mécanisme d'enclenchement ou de verrouillage de tout côté pivotant reste enclenché ou verrouillé lorsqu'une force de 200 N est appliquée de l'intérieur vers l'extérieur du lit d'enfant à n'importe quel point :</p>	<p>Mécanisme d'enclenchement ou de verrouillage — côté pivotant</p>

	(b) if the side rotates in part only, on the rotating part of that side or on any part of the mechanism.	a) du côté et de toute partie du mécanisme s'y trouvant, si tout le côté pivote; b) de la partie pivotante du côté et de toute partie du mécanisme s'y trouvant, si une partie seulement de celui-ci pivote.	
Latching or locking mechanism — move-sideways sides	(5) The latching or locking mechanism of every move-sideways side must remain latched or locked when a force of 200 N is applied in any direction to any point on that side or on any part of the mechanism.	(5) Le mécanisme d'enclenchement ou de verrouillage de tout côté à glissement latéral reste enclenché ou verrouillé lorsqu'une force de 200 N est appliquée, dans n'importe quelle direction, à n'importe quel point du côté et de toute partie du mécanisme s'y trouvant.	Mécanisme d'enclenchement ou de verrouillage — côté à glissement latéral
Portable cribs	(6) Every portable crib must have a latching or locking mechanism that prevents the crib from folding or collapsing.	(6) Le lit d'enfant portatif est muni d'un mécanisme d'enclenchement ou de verrouillage qui empêche le lit de se plier ou de s'affaisser.	Lit d'enfant portatif
Corner posts	29. (1) Subject to subsection (2), a crib must not have any corner post that extends more than 1.5 mm above the lowest point, within a radius of 76 mm from the centre line of the corner post, on the upper surface of the higher adjoining side of the crib.	29. (1) Sous réserve du paragraphe (2), aucun poteau d'angle d'un lit d'enfant ne doit dépasser de plus de 1,5 mm le point le plus bas du dessus du plus élevé des côtés contigus, dans un rayon de 76 mm de l'axe du poteau d'angle.	Poteau d'angle
Exception	(2) A crib may have a corner post that extends at least 406 mm above the highest point on the upper surface of the higher adjoining side of the crib.	(2) Tout poteau d'angle du lit d'enfant peut dépasser de plus de 406 mm le point le plus haut du dessus du plus élevé des côtés contigus.	Exception
Toeholds	30. (1) A crib must not be constructed so that the upper surface of any bar, rail, rod, projection or ledge that is capable of being used as a toehold by an occupant of the crib is located at any point from 150 mm to 510 mm above the upper surface of the mattress support, when the mattress support is in its lowest position and each movable side is in an adjustment position that meets the requirements of subsection 25(2).	30. (1) Le lit d'enfant, lorsque chaque côté mobile est à la position d'ajustement prévue au paragraphe 25(2), n'a en aucun point situé à une hauteur de 150 mm à 510 mm au-dessus de la face supérieure du support du matelas, ce dernier étant dans sa position la plus basse, de barre, traverse, tige, pièce saillante ou rebord que l'occupant du lit puisse utiliser comme point d'appui pour le pied.	Point d'appui
Presumption	(2) For the purpose of subsection (1), a bar, rail, rod, projection or ledge that has a depth of 10 mm or more is conclusively presumed to be capable of being used as a toehold by an occupant of the crib.	(2) Pour l'application du paragraphe (1), les barres, traverses, tiges, pièces saillantes ou rebords ayant 10 mm ou plus de profondeur sont réputés être des points d'appui pour le pied de l'occupant du lit d'enfant.	Présomption
Entanglement	31. A crib must not have any projection, attachment or mechanism with which the clothing or any other object worn by an occupant of the crib could become entangled.	31. Le lit d'enfant ne doit avoir ni pièces saillantes, ni accessoires, ni dispositifs auxquels pourraient se prendre les vêtements ou tout autre objet portés par l'occupant du lit.	Enchevêtrement
Solidity of mattress support	32. The mattress support of a crib must not dislodge, its latching or locking mechanisms must not unlatch, unlock or deform and its fasteners must not loosen, when tested for solidity in accordance with Schedule 5.	32. Lors de l'essai de solidité du support du matelas prévu à l'annexe 5, le support du matelas du lit d'enfant ne doit pas se détacher, aucun de ses mécanismes d'enclenchement ou de verrouillage ne doit se déclencher, se déverrouiller ou se déformer et aucune de ses attaches ne doit se desserrer.	Solidité du support du matelas
Structural integrity	33. A crib must not exhibit any damage, its latching or locking mechanisms must not unlatch, unlock or deform and its mattress support fasteners must not loosen, when tested for structural integrity in accordance with Schedule 6.	33. Lors de l'essai de solidité structurale prévu à l'annexe 6, le lit d'enfant ne doit pas être endommagé, aucun de ses mécanismes d'enclenchement ou de verrouillage ne doit se déclencher, se déverrouiller ou se déformer et aucune des attaches du support du matelas ne doit se desserrer.	Solidité structurale
Spaces	34. A space that is located above the mattress support of a crib when the mattress support is in its lowest position must not permit the passage of a rectangular block with dimensions of 60 mm × 100 mm × 100 mm in any orientation, when tested in accordance with Schedule 7.	34. Lors de l'essai de vérification des espaces prévu à l'annexe 7, aucun espace du lit d'enfant se trouvant au-dessus du support du matelas dans sa position la plus basse ne doit permettre le passage d'un gabarit rectangulaire de 60 mm sur 100 mm sur 100 mm, quelle que soit son orientation.	Espace
Strength and solidity of crib slats	35. A slat of a crib must not turn, dislodge, deform or become damaged when tested for strength and solidity in accordance with Schedule 8.	35. Lors de l'essai de résistance et de solidité des barreaux prévu à l'annexe 8, aucun barreau du lit d'enfant ne doit tourner, se détacher, se déformer ou être endommagé.	Résistance et solidité des barreaux

Cradles

Height of sides **36.** A cradle must not have the lower surface of any of its sides higher than the upper surface of the mattress support.

Solidity of mattress support **37.** The mattress support of a cradle must not dislodge, its latching or locking mechanisms must not unlatch, unlock or deform and its fasteners must not loosen, when tested for solidity in accordance with Schedule 5.

Structural integrity **38.** A cradle must not exhibit any damage and its mattress support fasteners must not loosen, when tested for structural integrity in accordance with Schedule 6.

Spaces **39.** A space that is located above the mattress support of a cradle must not permit the passage of a rectangular block with dimensions of 60 mm × 100 mm × 100 mm in any orientation, when tested in accordance with Schedule 7.

Berceaux

36. Le dessous de chacun des côtés du berceau ne doit pas être plus haut que la face supérieure du support du matelas. Hauteur des côtés

37. Lors de l'essai de solidité du support du matelas prévu à l'annexe 5, le support du matelas du berceau ne doit pas se détacher, aucun de ses mécanismes d'enclenchement ou de verrouillage ne doit se déclencher, se déverrouiller ou se déformer et aucune de ses attaches ne doit se desserrer. Solidité du support du matelas

38. Lors de l'essai de solidité structurale prévu à l'annexe 6, le berceau ne doit pas être endommagé et aucune des attaches du support du matelas ne doit se desserrer. Solidité structurale

39. Lors de l'essai de vérification des espaces prévu à l'annexe 7, aucun espace du berceau se trouvant au-dessus du support du matelas ne doit permettre le passage d'un gabarit rectangulaire de 60 mm sur 100 mm sur 100 mm, quelle que soit son orientation. Espace

REPEAL

Repeal **40. The *Cribs and Cradles Regulations*¹ are repealed.**

ABROGATION

Abrogation **40. Le *Règlement sur les lits d'enfant et berceaux*¹ est abrogé.**

COMING INTO FORCE

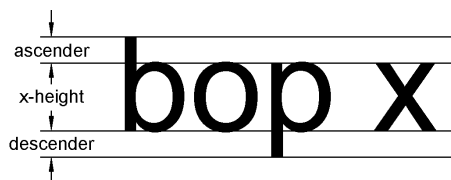
Coming into force **41. These Regulations come into force on the day on which they are registered.**

ENTRÉE EN VIGUEUR

Entrée en vigueur **41. Le présent règlement entre en vigueur à la date de son enregistrement.**

SCHEDULE 1
(Paragraph 12(b))

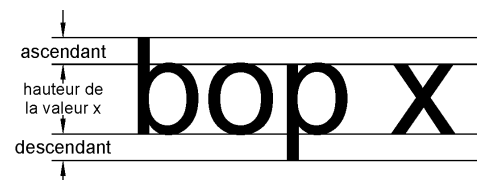
STANDARD SANS-SERIF TYPE



Note:
- Not to scale

ANNEXE 1
(alinéa 12b))

LETTRES LINÉALES STANDARD



Remarque :
- Pas à l'échelle

SCHEDULE 2
(Subsection 19(1))

TEST FOR DETERMINATION OF MESH OPENING SIZES

1. The method to be used for testing the sizes of mesh openings on a crib or cradle is as follows:
 (a) cut a sample of mesh with dimensions of 305 mm × 305 mm;
 (b) apply a uniformly distributed load of 0.15 N/mm to two opposite edges of the sample so as to induce a state of uniaxial tension in the sample;

¹ SOR/86-962

ANNEXE 2
(paragraphe 19(1))

ESSAI DE VÉRIFICATION DE LA TAILLE DES MAILLES DU FILET

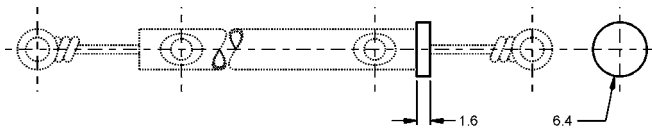
1. La méthode pour vérifier la taille des mailles du filet d'un lit d'enfant ou d'un berceau est la suivante :
 a) découper un échantillon de 305 mm sur 305 mm dans le filet;
 b) répartir uniformément un poids d'essai de 0,15 N/mm sur chacun de deux côtés opposés de l'échantillon en donnant à ce dernier une tension uniaxiale;

¹ DORS/86-962

(c) attempt to insert the tip of a probe of the type shown in Figure 1 through openings in the mesh, without cutting the fibres of the mesh, using a force not exceeding 22 N at 10 randomly selected areas in the sample; and

(d) repeat the steps set out in paragraphs (b) and (c), to the other two opposite edges of the sample.

FIGURE 1



Notes:

- Not to scale
- All dimensions in mm
- The thickness and diameter of the probe tip (disk) are the only two dimensions governed by the regulation. Other components are for illustration only.
- A handle may be used to assist with the positioning of the probe tip provided it does not interfere with the mesh being tested.
- A loop attached to the probe tip may be used to transmit the 22-N load provided it does not interfere with the mesh being tested. (String can be sufficiently flexible to pass through the mesh without interference.)

SCHEDULE 3
(Subsection 19(2))

TEST FOR STRENGTH OF MESH AND
INTEGRITY OF ATTACHMENT

1. The method to be used for testing the strength of mesh and the integrity of attachment of mesh to a crib or cradle is as follows:

(a) omitting accessories that could hinder the implementation of the test, assemble the crib or cradle according to the manufacturer's instructions;

(b) secure the crib or cradle to a horizontal surface on its side, in a manner that will not impede the test, such that a side with a panel of mesh is positioned above its opposite side;

(c) any blocking or support necessary to maintain the position described in paragraph (b) may be used if the blocking does not act directly on the frame of the side under test;

(d) apply a metal loading block, having a mass of 9.18 kg and a base with dimensions of 150 mm × 75 mm, to the mesh, with the 150 mm sides running transversely to the longest side of the crib or cradle, in the following manner:

(i) gradually apply the loading block within a period of five seconds,

(ii) allow the loading block to act for 10 seconds,

(iii) gradually remove the loading block within a period of five seconds, and

(iv) allow a 10-second recovery time;

(e) repeat the steps set out in paragraph (d) to 10 other areas of mesh; and

(f) repeat the steps set out in paragraph (d) to three areas of each panel of mesh on the crib or cradle, as follows:

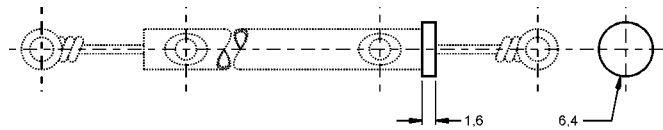
(i) at the geometrical centre of the panel of mesh or, if exterior framing interferes with the test, as close as possible to the geometric centre,

(ii) at the top portion of the panel of mesh, with the closer 75 mm edge of the loading block applied at a distance ranging from 25 mm to 50 mm from the centre of the top portion of mesh at the transverse centre line of the panel, and

c) essayer ensuite d'insérer la sonde illustrée à la figure 1 dans les mailles de l'échantillon sans en couper les fibres et en appliquant une force qui ne dépasse pas 22 N, à dix endroits choisis au hasard sur l'échantillon;

d) répéter les opérations décrites aux alinéas b) et c) sur les deux autres côtés opposés de l'échantillon.

FIGURE 1



Remarques :

- Pas à l'échelle
- Dimensions en mm
- L'épaisseur et le diamètre de la pointe de la sonde (disque) sont les seules dimensions régies par le présent règlement. Les autres composantes ne figurent qu'à titre d'illustration.
- L'ajout d'une poignée permettant de faciliter le positionnement de la pointe de la sonde est permis pourvu que la mise à l'essai du filet ne soit pas compromise.
- Une boucle attachée à la pointe de la sonde peut être utilisée pour transmettre la force de 22 N pourvu que la mise à l'essai du filet ne soit pas compromise. (Une ficelle pourrait, de par sa souplesse, traverser le filet sans le toucher.)

ANNEXE 3
(paragraphe 19(2))

ESSAI DE RÉSISTANCE DES MAILLES ET
DE SOLIDITÉ DES ATTACHES

1. La méthode pour vérifier la résistance des mailles et la solidité des attaches d'un filet d'un lit d'enfant ou d'un berceau est la suivante :

a) monter le lit d'enfant ou le berceau selon les instructions du fabricant, en mettant de côté les accessoires qui pourraient gêner le déroulement de l'essai;

b) immobiliser le lit d'enfant ou le berceau de manière que le côté ayant le filet soit placé à l'horizontale au-dessus de son côté opposé et de manière à ne pas gêner le déroulement de l'essai;

c) utiliser, au besoin, un blocage ou un support pour maintenir le lit d'enfant ou le berceau dans la position indiquée à l'alinéa b), pourvu que le blocage n'agisse pas directement sur le cadre du côté soumis à l'essai;

d) répartir uniformément un bloc de chargement métallique, ayant une masse de 9,18 kg et dont la base mesure 150 mm sur 75 mm, sur une surface du filet en orientant les côtés de 150 mm transversalement par rapport au côté le plus long du lit d'enfant ou du berceau mis à l'essai, de la façon suivante :

(i) déposer le bloc de chargement graduellement sur une période de cinq secondes,

(ii) maintenir le bloc de chargement pendant dix secondes,

(iii) enlever le bloc de chargement graduellement sur une période de cinq secondes,

(iv) laisser un temps de recouvrement de dix secondes;

e) répéter les opérations décrites à l'alinéa d) sur dix autres surfaces du filet;

f) effectuer les opérations décrites à l'alinéa d) sur les trois surfaces ci-après de chaque filet du lit d'enfant ou du berceau :

(i) au centre géométrique du filet ou, lorsque la structure externe gêne l'exécution de l'essai, le plus près possible de ce centre,

(iii) at the bottom portion of the panel of mesh with the closer 75 mm edge of the loading block applied at a distance ranging from 25 mm to 50 mm from the centre of the bottom portion of mesh at the transverse centre line of the panel.

(ii) près de la partie supérieure du filet, le côté de 75 mm du bloc de chargement devant être déposé à une distance variant de 25 mm à 50 mm du centre de cette partie, à la ligne centrale transversale du filet,

(iii) près de la partie inférieure du filet, le côté de 75 mm du bloc de chargement devant être déposé à une distance variant de 25 mm à 50 mm du centre de cette partie, à la ligne centrale transversale du filet;

SCHEDULE 4
(Section 20)

ANNEXE 4
(article 20)

SMALL PARTS CYLINDER

CYLINDRE POUR PETITES PIÈCES

1. A small parts cylinder of the dimensions shown in Figure 1 must be used to determine whether a small part of a crib or cradle meets the requirements of section 20 of these Regulations.

1. Pour déterminer si une petite pièce d'un lit d'enfant ou d'un berceau est conforme à l'article 20 du présent règlement, utiliser un cylindre pour petites pièces ayant les dimensions indiquées à la figure 1.

FIGURE 1

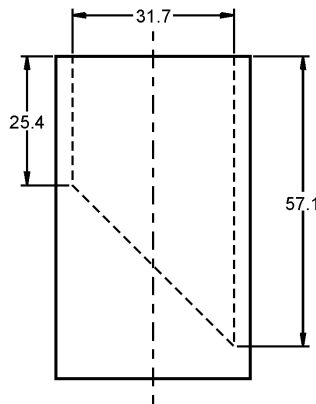
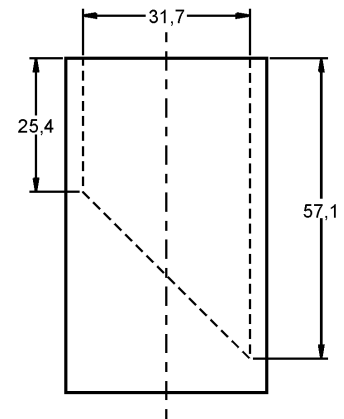


FIGURE 1



Notes:
- Not to scale
- All dimensions in mm

Remarques :
- Pas à l'échelle
- Dimensions en mm

SCHEDULE 5
(Sections 32 and 37)

ANNEXE 5
(articles 32 et 37)

TEST FOR SOLIDITY OF MATTRESS SUPPORT

ESSAI DE SOLIDITÉ DU SUPPORT DU MATELAS

Cribs

Lits d'enfant

1. The method to be used for testing the solidity of the mattress support of a crib is as follows:

1. La méthode pour vérifier la solidité du support du matelas d'un lit d'enfant est la suivante :

- (a) omitting accessories that could hinder the implementation of the test, assemble the crib according to the manufacturer's instructions;
- (b) secure the crib to a horizontal surface in its normal position in a manner that will not impede the test;
- (c) apply and maintain for one minute an upward push force of 250 N to one corner of the lower surface of the mattress

- a) monter le lit selon les instructions du fabricant, en mettant de côté les accessoires qui pourraient gêner le déroulement de l'essai;
- b) immobiliser le lit en position normale sur une surface horizontale de manière à ne pas gêner le déroulement de l'essai;
- c) appliquer le plus près possible d'un coin de la face inférieure du support du matelas, à une distance maximale de 150 mm des

support, as close as possible to the corner within 150 mm of the two sides forming the corner;

(d) note any dislodging of the mattress support, any unlatching, unlocking or deformation of its latching or locking mechanisms and any loosening of its fasteners;

(e) readjust the mattress support to its original position, if necessary;

(f) repeat the steps set out in paragraphs (c) to (e) at every other corner of the mattress support;

(g) apply simultaneously and maintain for one minute an upward push force of 250 N as close as possible to each corner of the lower surface of the mattress support within 150 mm of the two sides forming each corner;

(h) note any dislodging of the mattress support, any unlatching, unlocking or deformation of its latching or locking mechanisms and any loosening of its fasteners;

(i) readjust the mattress support to its original position, if necessary;

(j) apply a force of 200 N in any direction to one of the mattress support latching or locking mechanisms in a manner that could cause any unlatching, unlocking or deformation of the mechanisms or any loosening of the mattress support fasteners;

(k) note any dislodging of the mattress support, any unlatching, unlocking or deformation of its latching or locking mechanisms and any loosening of its fasteners;

(l) readjust the mattress support to its original position, if necessary; and

(m) repeat the steps set out in paragraphs (j) to (l) for every other mattress support latching or locking mechanism.

Cradles

2. The method to be used for testing the solidity of the mattress support of a cradle is as follows:

(a) omitting accessories that could hinder the implementation of the test, assemble the cradle according to the manufacturer's instructions;

(b) secure the cradle to a horizontal surface in its normal position in a manner that will prevent it from rocking or swinging;

(c) apply and maintain for one minute an upward push force of 250 N to one corner of the lower surface of the mattress support, as close as possible to the corner within 150 mm of the two sides forming the corner;

(d) note any dislodging of the mattress support and any loosening of its fasteners;

(e) readjust the mattress support to its original position, if necessary;

(f) repeat the steps set out in paragraphs (c) to (e) for every other corner of the mattress support;

(g) apply simultaneously and maintain for one minute an upward push force of 250 N as close as possible to each corner of the lower surface of the mattress support within 150 mm of the two sides forming each corner; and

(h) note any dislodging of the mattress support, any unlatching, unlocking or deformation of its latching or locking mechanisms and any loosening of its fasteners.

deux côtés formant ce coin, une force de poussée vers le haut de 250 N qui doit être maintenue pendant une minute;

d) vérifier si le support du matelas s'est détaché, si l'un de ses mécanismes d'enclenchement ou de verrouillage s'est déclenché, déverrouillé ou déformé, ou si l'une de ses attaches s'est desserrée;

e) remettre le support du matelas à sa position originale, le cas échéant;

f) répéter les opérations décrites aux alinéas c) à e) pour chacun des autres coins du support du matelas;

g) de façon simultanée, appliquer le plus près possible de tous les coins de la face inférieure du support du matelas, à une distance maximale de 150 mm des deux côtés formant chacun de ces coins, une force de poussée vers le haut de 250 N qui doit être maintenue pendant une minute;

h) vérifier si le support du matelas s'est détaché, si l'un de ses mécanismes d'enclenchement ou de verrouillage s'est déclenché, déverrouillé ou déformé, ou si l'une de ses attaches s'est desserrée;

i) remettre le support du matelas à sa position originale, le cas échéant;

j) appliquer, dans n'importe quelle direction, une force de 200 N à l'un des mécanismes d'enclenchement ou de verrouillage du support du matelas d'une manière qui pourrait provoquer le déclenchement, le déverrouillage ou la déformation de ces mécanismes ou le desserrage d'une des attaches du support;

k) vérifier si le support du matelas s'est détaché, si l'un de ses mécanismes d'enclenchement ou de verrouillage s'est déclenché, déverrouillé ou déformé, ou si l'une de ses attaches s'est desserrée;

l) remettre le support du matelas à sa position originale, le cas échéant;

m) répéter les opérations décrites aux alinéas j) à l) pour chacun des autres mécanismes d'enclenchement ou de verrouillage du support du matelas.

Berceaux

2. La méthode pour vérifier la solidité du support du matelas d'un berceau est la suivante :

a) monter le berceau selon les instructions du fabricant, en mettant de côté les accessoires qui pourraient gêner le déroulement de l'essai;

b) immobiliser le berceau en position normale sur une surface horizontale de manière à empêcher toute oscillation;

c) appliquer le plus près possible d'un coin de la face inférieure du support du matelas du berceau, à une distance maximale de 150 mm des deux côtés formant ce coin, une force de poussée vers le haut de 250 N qui doit être maintenue pendant une minute;

d) vérifier si le support du matelas s'est détaché ou si l'une des attaches du support s'est desserrée;

e) remettre le support du matelas à sa position originale, le cas échéant;

f) répéter les opérations décrites aux alinéas c) à e) pour chacun des autres coins du support du matelas;

g) de façon simultanée, appliquer le plus près possible de tous les coins de la face inférieure du support du matelas à une distance maximale de 150 mm des deux côtés formant chacun de ces coins, une force de poussée vers le haut de 250 N qui doit être maintenue pendant une minute;

h) vérifier si le support du matelas s'est détaché, si l'un de ses mécanismes d'enclenchement ou de verrouillage s'est

SCHEDULE 6
(Sections 33 and 38)

TESTS FOR STRUCTURAL INTEGRITY

Cribs

1. The method to be used for testing the structural integrity of a crib under dynamic conditions is as follows:

- (a) omitting accessories that could hinder the implementation of the test, assemble the crib according to the manufacturer's instructions;
- (b) secure the crib to a horizontal surface in its normal position in a manner that will not impede the test;
- (c) place on the mattress support a 100 mm thick sheet of polyurethane foam that has a density of 30 kg/m³, a 25% indentation force deflection of 144 N and a length and width that meet the requirements of paragraph 18(b) of these Regulations;
- (d) using a 20 kg test load of the dimensions shown in Figure 1, allow the test load to fall freely, from a height of 150 mm above the initial position of the upper surface of the sheet of polyurethane foam, 150 times at a rate of one impact per second at the geometric centre of the surface of the sheet, in such a manner that the surface of the test load remains parallel to the horizontal surface referred to in paragraph (b);
- (e) note any damage to the crib, any unlatching, unlocking or deformation of its latching or locking mechanisms and any loosening of its mattress support fasteners;
- (f) without readjusting the mattress support, repeat the steps set out in paragraphs (d) and (e), but at each corner of the mattress support such that the test load is allowed to fall at a point that is 150 mm from each of the innermost surfaces of the two sides forming the corner of the crib measured at the level of the upper surface of the sheet of polyurethane foam; and
- (g) repeat the steps set out in paragraphs (d) and (e), but at the mid-point along the edge of the mattress support beside each movable side such that the test load is allowed to fall at a point that is 150 mm from that side measured at the level of the upper surface of the sheet of polyurethane foam.

2. The method to be used for testing the structural integrity of a crib under horizontal force conditions is as follows:

- (a) omitting accessories that could hinder the implementation of the test, assemble the crib according to the manufacturer's instructions;
- (b) secure the crib to a horizontal surface in its normal position in a manner that will not impede the test;
- (c) with any movable sides of the crib in the adjustment position designed to provide accommodation for an unattended child and using a point that is midway along the length of one of the sides, but not more than 50 mm from the upper edge of the side as the point of contact, apply a horizontal force of 120 N perpendicularly to the side in a back-and-forth manner at a frequency of at least 150 cycles per minute for a total of 9,000 cycles;

ANNEXE 6
(articles 33 et 38)

ESSAI DE SOLIDITÉ STRUCTURALE

Lits d'enfant

1. La méthode pour vérifier la solidité structurale d'un lit d'enfant dans des conditions dynamiques est la suivante :

- a) monter le lit selon les instructions du fabricant, en mettant de côté les accessoires qui pourraient gêner le déroulement de l'essai;
- b) immobiliser le lit en position normale sur une surface horizontale de manière à ne pas gêner le déroulement de l'essai;
- c) placer sur le support du matelas un morceau de mousse de polyuréthane ayant une masse volumique de 30 kg/m³, une déformation de 25 pour cent sous l'effet d'une force de 144 N, une épaisseur de 100 mm ainsi qu'une longueur et une largeur conformes aux exigences de l'alinéa 18b) du présent règlement;
- d) utiliser un poids d'essai de 20 kg ayant les dimensions indiquées à la figure 1 et le laisser tomber librement 150 fois d'une hauteur de 150 mm, mesurée à partir de la surface supérieure du morceau de mousse de polyuréthane dans sa position initiale, au centre géométrique de la surface du morceau, au rythme d'un impact par seconde de façon que le dessus du poids demeure parallèle à la surface horizontale visée à l'alinéa b);
- e) vérifier si le lit a été endommagé, si l'un de ses mécanismes d'enclenchement ou de verrouillage s'est déclenché, déverrouillé ou déformé, ou si l'une des attaches du support du matelas s'est desserrée;
- f) sans rajuster le support du matelas, répéter les opérations décrites aux alinéas d) et e), mais en laissant tomber cette fois le poids à chaque coin du support, à une distance de 150 mm des surfaces le plus à l'intérieur des deux côtés formant le coin du lit, mesurée au niveau de la surface supérieure du morceau de mousse de polyuréthane;
- g) répéter les opérations décrites aux alinéas d) et e), mais en laissant tomber cette fois le poids au milieu du bord du support du matelas longeant chaque côté mobile, à une distance de 150 mm de ce côté, mesurée au niveau de la surface supérieure du morceau de mousse de polyuréthane.

2. La méthode pour vérifier la solidité structurale d'un lit d'enfant sous l'effet d'une force horizontale est la suivante :

- a) monter le lit selon les instructions du fabricant, en mettant de côté les accessoires qui pourraient gêner le déroulement de l'essai;
- b) immobiliser le lit en position normale sur une surface horizontale de manière à ne pas gêner le déroulement de l'essai;
- c) s'il s'agit d'un lit ayant un ou plusieurs côtés mobiles, placer ces côtés dans la position de réglage prévue pour y laisser un enfant sans surveillance et appliquer perpendiculairement au milieu de l'horizontale de l'un des côtés du lit, à une distance maximale de 50 mm du dessus de ce côté, une force horizontale de 120 N dans un mouvement de va-et-vient, à une fréquence minimale de 150 cycles à la minute, pendant 9 000 cycles;

déclenché, déverrouillé ou déformé, ou si l'une de ses attaches s'est desserrée.

- (d) note any damage to the crib, any unlatching, unlocking or deformation of its latching or locking mechanisms and any loosening of its mattress support fasteners; and
- (e) repeat the steps set out in paragraphs (c) and (d) for every other side of the crib.

3. The method to be used for testing the structural integrity of a crib under vertical force conditions is as follows:

- (a) omitting accessories that could hinder the implementation of the test, assemble the crib according to the manufacturer's instructions;
- (b) secure the crib to a horizontal surface in its normal position in a manner that will not impede the test;
- (c) with any movable sides of the crib in the adjustment position designed to provide accommodation for an unattended child and using the mid-point of the top of one of the sides as the point of contact, apply a vertical force of 120 N in an up-and-down manner at a frequency of at least 150 cycles per minute for a total of 9,000 cycles;
- (d) note any damage to the crib, any unlatching, unlocking or deformation of its latching or locking mechanisms and any loosening of its mattress support fasteners; and
- (e) repeat the steps set out in paragraphs (c) and (d) for every other side of the crib.

Cradles

4. The method to be used for testing the structural integrity of a cradle under dynamic conditions is as follows:

- (a) omitting accessories that could hinder the implementation of the test, assemble the cradle according to the manufacturer's instructions;
- (b) secure the cradle to a horizontal surface in its normal position in a manner that will prevent it from rocking or swinging;
- (c) place on the mattress support a 80 mm thick sheet of polyurethane foam that has a density of 30 kg/m³, a 25% indentation force deflection of 144 N and a length and width that meet the requirements of paragraph 18(b) of these Regulations;
- (d) using a 13.7 kg test load that has a square contact area of 929 cm², allow the test load to fall freely, from a height of 150 mm above the initial position of the upper surface of the sheet of polyurethane foam, 500 times at a rate of one impact per second at the geometric centre of the surface of the sheet; and
- (e) note any damage to the cradle and any loosening of its mattress support fasteners.

- d) vérifier si le lit a été endommagé, si l'un de ses mécanismes d'enclenchement ou de verrouillage s'est déclenché, déverrouillé ou déformé, ou si l'une des attaches du support du matelas s'est desserrée;

- e) répéter les opérations décrites aux alinéas c) et d) pour chacun des autres côtés du lit.

3. La méthode pour vérifier la solidité structurale d'un lit d'enfant sous l'effet d'une force verticale est la suivante :

- a) monter le lit selon les instructions du fabricant, en mettant de côté les accessoires qui pourraient gêner le déroulement de l'essai;

- b) immobiliser le lit en position normale sur une surface horizontale de manière à ne pas gêner le déroulement de l'essai;

- c) s'il s'agit d'un lit ayant un ou plusieurs côtés mobiles, placer ces côtés dans la position de réglage prévue pour y laisser un enfant sans surveillance et appliquer au milieu du dessus de l'un des côtés du lit une force verticale de 120 N dans un mouvement de va-et-vient, à une fréquence minimale de 150 cycles à la minute, pendant 9 000 cycles;

- d) vérifier si le lit a été endommagé, si l'un de ses mécanismes d'enclenchement ou de verrouillage s'est déclenché, déverrouillé ou déformé, ou si l'une des attaches du support du matelas s'est desserrée;

- e) répéter les opérations décrites aux alinéas c) et d) pour chacun des autres côtés du lit.

Berceaux

4. La méthode pour vérifier la solidité structurale d'un berceau dans des conditions dynamiques est la suivante :

- a) monter le berceau selon les instructions du fabricant, en mettant de côté les accessoires qui pourraient gêner le déroulement de l'essai;

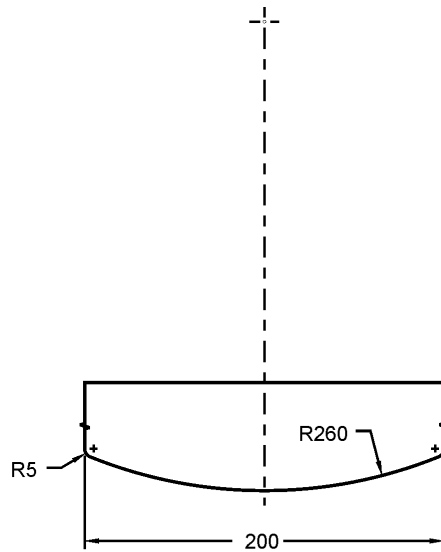
- b) immobiliser le berceau en position normale sur une surface horizontale de manière à empêcher toute oscillation;

- c) placer sur le support du matelas un morceau de mousse de polyuréthane ayant une masse volumique de 30 kg/m³, une déformation de 25 pour cent sous l'effet d'une force de 144 N, une épaisseur de 80 mm ainsi qu'une longueur et une largeur conformes aux exigences de l'alinéa 18b) du présent règlement;

- d) utiliser un poids d'essai de 13,7 kg ayant une surface de contact carrée de 929 cm²; le laisser tomber librement 500 fois d'une hauteur de 150 mm, mesurée à partir de la surface supérieure du morceau de mousse de polyuréthane dans sa position initiale, au centre géométrique de la surface du morceau;

- e) vérifier si le berceau a été endommagé ou si l'une des attaches du support du matelas s'est desserrée.

FIGURE 1



Notes:
 - Not to scale
 - All dimensions in mm

SCHEDULE 7
 (Sections 34 and 39)

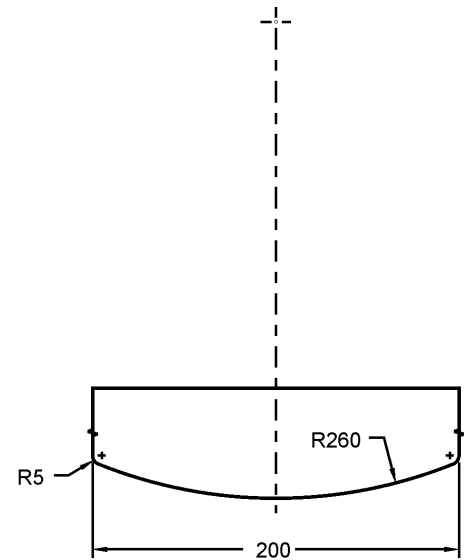
TEST FOR SPACES

Cribs

1. The method to be used for testing the spaces that are located above the mattress support of a crib when the mattress support is in its lowest position is as follows:

- (a) omitting accessories that could hinder the implementation of the test, assemble the crib according to the manufacturer's instructions;
- (b) if the mattress support is adjustable, adjust it to its lowest position;
- (c) place a metallic loading wedge of the dimensions shown in Figure 1 in the space between two adjacent slats, midway along the greatest dimension of the space;
- (d) apply a pull force of 90 N to the eye-bolt of the loading wedge in a direction perpendicular to a plane passing through the points of contact of the wedge with the two slats, and maintain the force for 10 seconds;
- (e) attempt to pass, without forcing, a rectangular block with dimensions of 60 mm × 100 mm × 100 mm through the space, anywhere above or below the loading wedge;
- (f) repeat the step set out in paragraph (e) with the block in all other possible orientations;
- (g) repeat the steps set out in paragraphs (c) to (f) for all other spaces between adjacent slats; and
- (h) attempt to pass, without forcing, a rectangular block with dimensions of 60 mm × 100 mm × 100 mm through every space in every part of the crib that is located above the mattress support.

FIGURE 1



Remarques :
 - Pas à l'échelle
 - Dimensions en mm

ANNEXE 7
 (articles 34 et 39)

ESSAI DE VÉRIFICATION DES ESPACES

Lits d'enfant

1. La méthode pour vérifier les espaces situés au-dessus du support du matelas, dans sa position la plus basse, d'un lit d'enfant, est la suivante :

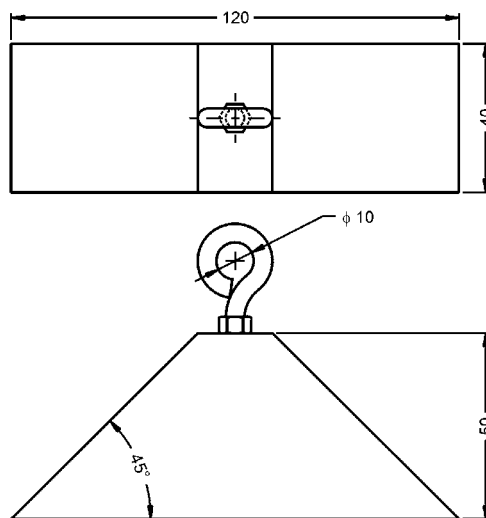
- a) monter le lit selon les instructions du fabricant, en mettant de côté les accessoires qui pourraient gêner le déroulement de l'essai;
- b) si la hauteur du support du matelas est réglable, le placer dans sa position la plus basse;
- c) placer un prisme en métal, ayant les dimensions indiquées à la figure 1, dans l'espace entre deux barreaux adjacents, au milieu de la plus grande dimension de cet espace;
- d) appliquer une force de traction de 90 N à l'anneau du prisme perpendiculairement au plan formé par les points de contact du prisme avec les deux barreaux et maintenir cette force pendant 10 secondes;
- e) essayer de faire passer, sans forcer, un gabarit rectangulaire de 60 mm sur 100 mm sur 100 mm dans cet espace, au-dessus ou au-dessous du prisme;
- f) répéter l'opération décrite à l'alinéa e) pour chacune des autres orientations possibles du gabarit;
- g) répéter les opérations décrites aux alinéas c) à f) pour chacun des autres espaces entre barreaux adjacents;
- h) essayer de faire passer, sans forcer, un gabarit rectangulaire de 60 mm sur 100 mm sur 100 mm dans chacun des espaces de toute partie du lit situé au-dessus du support du matelas.

Cradles

2. The method to be used for testing the spaces that are located above the mattress support of a cradle is as follows:

- (a) omitting accessories that could hinder the implementation of the test, assemble the cradle according to the manufacturer's instructions;
- (b) attempt to pass, without forcing, a rectangular block with dimensions of 60 mm × 100 mm × 100 mm through the space between any adjacent slats;
- (c) repeat the step set out in paragraph (b) with the block in all other possible orientations;
- (d) repeat the steps set out in paragraphs (b) and (c) for all other spaces between adjacent slats; and
- (e) attempt to pass, without forcing, a rectangular block with dimensions of 60 mm × 100 mm × 100 mm through every space in every part of the cradle that is located above the mattress support.

FIGURE 1



Notes:
- Not to scale
- All dimensions in mm

SCHEDULE 8
(Section 35)

TEST FOR STRENGTH AND SOLIDITY OF CRIB SLATS

1. The method to be used for testing the strength and solidity of crib slats is as follows:

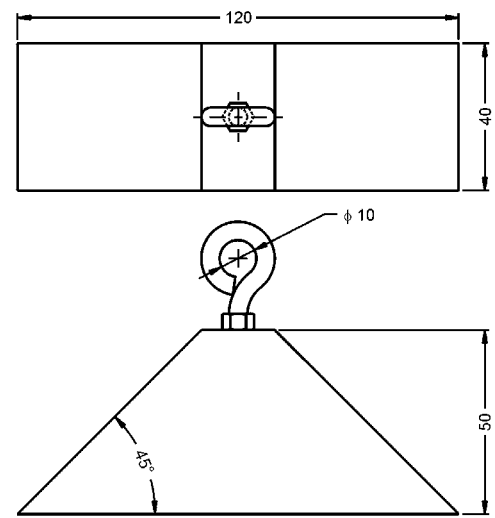
- (a) omitting accessories that could hinder the implementation of the test, assemble the crib according to the manufacturer's instructions;
- (b) secure the crib to a horizontal surface in its normal position in a manner that will not impede the test;
- (c) apply a torque of 8 N·m to one of the slats at its mid-point and maintain the torque for 10 seconds;
- (d) note any turning, dislodging or deformation of the slat and any damage to the slat;
- (e) repeat the steps set out in paragraphs (c) and (d) for every other slat;

Berceaux

2. La méthode pour vérifier les espaces situés au-dessus du support du matelas du berceau est la suivante :

- a) monter le berceau selon les instructions du fabricant, en mettant de côté les accessoires qui pourraient gêner le déroulement de l'essai;
- b) essayer de faire passer, sans forcer, un gabarit rectangulaire de 60 mm sur 100 mm sur 100 mm dans un espace entre deux barreaux adjacents;
- c) répéter l'opération décrite à l'alinéa b) pour chacune des autres orientations possibles du gabarit;
- d) répéter les opérations décrites aux alinéas b) et c) pour chacun des autres espaces entre barreaux adjacents;
- e) essayer de faire passer, sans forcer, un gabarit rectangulaire de 60 mm sur 100 mm sur 100 mm dans chacun des espaces de toute partie du berceau situé au-dessus du support du matelas.

FIGURE 1



Remarques :
- Pas à l'échelle
- Dimensions en mm

ANNEXE 8
(article 35)

ESSAI DE RÉSISTANCE ET DE SOLIDITÉ
DES BARREAUX D'UN LIT D'ENFANT

1. La méthode pour vérifier la résistance et la solidité des barreaux d'un lit d'enfant est la suivante :

- a) monter le lit selon les instructions du fabricant, en mettant de côté les accessoires qui pourraient gêner le déroulement de l'essai;
- b) immobiliser le lit en position normale sur une surface horizontale, de manière à ne pas gêner le déroulement de l'essai;
- c) appliquer un couple de 8 N·m au milieu de la longueur d'un barreau et le maintenir pendant 10 secondes;
- d) vérifier si le barreau a tourné, s'est détaché, s'est déformé ou a été endommagé;
- e) répéter les opérations décrites aux alinéas c) et d) pour chacun des autres barreaux;

- (f) apply a vertical upward force of 500 N at the mid-point of any rail on one of the sides to which slats are attached and maintain the force for 30 seconds;
- (g) note any dislodging of any of the slats from the top or bottom rail and any damage to the slats; and
- (h) repeat the steps set out in paragraphs (f) and (g) for every other side to which slats are attached.

[18-1-o]

- f) appliquer vers le haut une force verticale de 500 N au milieu de toutes les traverses de chaque côté muni de barreaux et maintenir cette force pendant 30 secondes;
- g) vérifier si des barreaux ont été endommagés ou se sont détachés de la traverse supérieure ou de la traverse inférieure;
- h) répéter les opérations décrites aux alinéas f) et g) pour chacun des autres côtés munis de barreaux.

[18-1-o]

Order Amending Schedule I to the Hazardous Products Act (Cribs and Cradles)

Statutory Authority

Hazardous Products Act

Sponsoring Department

Department of Health

REGULATORY IMPACT ANALYSIS STATEMENT

For the Regulatory Impact Analysis Statement, see page 1363.

Décret modifiant l'annexe I de la Loi sur les produits dangereux (lits d'enfant et berceaux)

Fondement législatif

Loi sur les produits dangereux

Ministère responsable

Ministère de la Santé

RÉSUMÉ DE L'ÉTUDE D'IMPACT DE LA RÉGLEMENTATION

Pour le résumé de l'étude d'impact de la réglementation, voir la page 1363.

PROPOSED REGULATORY TEXT

Notice is hereby given that the Governor in Council, pursuant to section 6^a of the *Hazardous Products Act*, proposes to make the annexed *Order Amending Schedule I to the Hazardous Products Act (Cribs and Cradles)*.

Interested persons may make representations with respect to the proposed Regulations within 75 days after the date of publication of this notice. All such representations must cite the *Canada Gazette*, Part I, and the date of publication of this notice, and be addressed to Jonathan Williams, Manager, Mechanical and Electrical Division, Product Safety Programme, Healthy Environments and Consumer Safety Branch, Department of Health, MacDonald Building, Address Locator 3504D, 123 Slater Street, Ottawa, Ontario K1A 0K9 (fax: (613) 952-3039; e-mail: jonathan_williams@hc-sc.gc.ca).

Persons making representations should identify any of those representations the disclosure of which should be refused under the *Access to Information Act*, in particular under sections 19 and 20 of that Act, and should indicate the reasons why and the period during which the representations should not be disclosed. They should also identify any representations for which there is consent to disclosure for the purposes of that Act.

Ottawa, April 26, 2004

EILEEN BOYD
Assistant Clerk of the Privy Council

PROJET DE RÉGLEMENTATION

Avis est donné que la gouverneure en conseil, en vertu de l'article 6^a de la *Loi sur les produits dangereux*, se propose de prendre le *Décret modifiant l'annexe I de la Loi sur les produits dangereux (lits d'enfant et berceaux)*, ci-après.

Les intéressés peuvent présenter leurs observations au sujet du projet de décret dans les soixante-quinze jours suivant la date de publication du présent avis. Ils sont priés d'y citer la *Gazette du Canada* Partie I, ainsi que la date de publication, et d'envoyer le tout à Jonathan Williams, gestionnaire, Division de la mécanique et de l'électricité, Programme de la sécurité des produits, Direction générale de la santé environnementale et de la sécurité des consommateurs, ministère de la Santé, immeuble MacDonald, indice d'adresse 3504D, 123, rue Slater, Ottawa (Ontario) K1A 0K9 (télééc. : (613) 952-3039; courriel : jonathan_williams@hc-sc.gc.ca).

Ils sont également priés d'indiquer, d'une part, celles de ces observations dont la communication devrait être refusée aux termes de la *Loi sur l'accès à l'information*, notamment des articles 19 et 20, en précisant les motifs et la période de non-communication et, d'autre part, celles dont la communication fait l'objet d'un consentement pour l'application de cette loi.

Ottawa, le 26 avril 2004

La greffière adjointe du Conseil privé,
EILEEN BOYD

^a S.C. 1996, c. 8, s. 26

^a L.C. 1996, ch. 8, art. 26

**ORDER AMENDING SCHEDULE I TO THE
HAZARDOUS PRODUCTS ACT
(CRIBS AND CRADLES)**

**DÉCRET MODIFIANT L'ANNEXE I DE LA
LOI SUR LES PRODUITS DANGEREUX
(LITS D'ENFANT ET BERCEAUX)**

AMENDMENT

MODIFICATION

1. Item 25 of Part II of Schedule I to the *Hazardous Products Act*¹ is replaced by the following:

1. L'article 25 de la partie II de l'annexe I de la *Loi sur les produits dangereux*¹ est remplacé par ce qui suit :

25. Cribs and cradles as defined in the *Cribs and Cradles Regulations*.

25. Lits d'enfant et berceaux au sens du *Règlement sur les lits d'enfant et berceaux*.

COMING INTO FORCE

ENTRÉE EN VIGUEUR

2. This Order comes into force on the day on which it is registered.

2. Le présent décret entre en vigueur à la date de son enregistrement.

[18-1-o]

[18-1-o]

¹ R.S., c. H-3

¹ L.R., ch. H-3

Cigarette Ignition Propensity Regulations

Statutory Authority

Tobacco Act

Sponsoring Department

Department of Health

REGULATORY IMPACT ANALYSIS STATEMENT

Description

The Department of Health is proposing regulations to address the public health problem resulting from cigarette-started fires. Smokers' materials are the leading cause of residential fires and fire-related losses in Canada each year. From an analysis of Canadian fire statistics for the years 1995 to 1999, the Canadian Association of Fire Chiefs reported that at least 14 030 fires were started by smokers' materials (including cigarettes, cigars and pipes). These fires killed 356 people, injured 1 615 people and cost more than \$200 million in property damage. The victims of these fires are often among society's most vulnerable: children, the elderly and the financially poor.

The Department of Health is proposing that manufactured cigarettes be required to have a reduced likelihood of igniting upholstered furniture, mattresses and bedding in order to reduce the death and injury associated with such fires. The regulations would advance the purpose of the *Tobacco Act* by addressing one of the many facets of the national public health problem that is tobacco use.

Cigarette fires typically result from lit cigarettes left unattended, smoking in bed, or smoking while under the influence of alcohol, illicit drugs or medication. When a lit cigarette comes into contact with flammable products such as mattresses, bedding or upholstered furniture, it can start a smouldering process that can continue undetected for some time before bursting into flame. Smoke from the smouldering materials can render people in the vicinity unconscious, thus putting them at greater risk of injury or death from the ensuing fire. Given these facts, it is not surprising that residential fires started by smokers' materials result in a much higher fatality rate than fires started by other ignition sources.

The Department of Health has taken a number of steps to prevent such fires, including educating the public about the dangers of smokers' materials, establishing fire safety standards for consumer products such as mattresses and bedding, regulating ignition sources such as matches and lighters pursuant to the provisions of the *Hazardous Products Act*, and working with the Canadian Council of Furniture Manufacturers to implement voluntary flammability standards for upholstered furniture. Despite these efforts, fires started by smokers' materials continue to exact

Règlement sur le potentiel d'allumage des cigarettes

Fondement législatif

Loi sur le tabac

Ministère responsable

Ministère de la Santé

RÉSUMÉ DE L'ÉTUDE D'IMPACT DE LA RÉGLEMENTATION

Description

Le ministère de la Santé propose l'adoption d'un règlement pour réduire les dangers que posent pour la santé publique les incendies allumés par des cigarettes. Les articles pour fumeurs sont la principale cause d'incendies résidentiels et de pertes entraînées par les incendies chaque année au Canada. D'après une analyse des statistiques sur les incendies pour la période de 1995 à 1999, l'Association canadienne des chefs de pompiers a signalé qu'au moins 14 030 incendies ont été allumés par des articles pour fumeurs (ce qui comprend les cigarettes, les cigares et les pipes). Ces incendies ont causé la mort de 356 personnes et des lésions sur 1 615 personnes, en plus d'avoir causé plus de 200 millions de dollars en dommages matériels. Les victimes de ces incendies sont souvent les êtres les plus vulnérables de la société : les enfants, les personnes âgées et les plus démunis.

Le ministère de la Santé envisage d'imposer une norme obligeant les fabricants à réduire la capacité de leurs cigarettes à mettre le feu aux meubles rembourrés, aux matelas et à la literie afin de réduire le nombre de décès et de lésions reliés aux incendies. Le règlement appuierait la *Loi sur le tabac* en s'attaquant à l'un des nombreux volets du problème national que représente le tabac pour la santé publique.

Les incendies causés par des cigarettes sont souvent le résultat de cigarettes laissées allumées sans surveillance ou de l'usage du tabac au lit ou de fumeurs ayant les facultés affaiblies par l'alcool, des drogues illicites ou des médicaments. Lorsqu'une cigarette allumée entre en contact avec des objets inflammables comme un matelas, de la literie ou un meuble rembourré, elle peut amorcer une combustion lente qui va rester inaperçue pendant un certain temps avant que des flammes apparaissent. Les personnes à proximité peuvent s'évanouir en raison de la fumée que dégage la combustion lente, ce qui augmente pour elles les risques de lésions ou de mort dans l'incendie. Il n'est donc pas surprenant qu'il y ait beaucoup plus de décès causés par des incendies résidentiels allumés par une cigarette que par d'autres sources d'inflammation.

Le ministère de la Santé a pris certaines mesures pour prévenir ces types d'incendies : l'éducation du public sur les dangers que représentent les articles pour fumeurs; l'établissement de normes de sécurité incendie pour les produits de consommation comme les matelas et la literie; la réglementation des sources d'inflammation comme les allumettes et les briquets en vertu des dispositions de la *Loi sur les produits dangereux*; et la collaboration avec le Conseil canadien des fabricants de meubles pour mettre en œuvre des normes volontaires d'inflammabilité pour les meubles

a significant toll on Canadian society by causing about 70 fatalities and 300 injuries every year. It is estimated that manufactured cigarettes are responsible for about 82 percent of these fires.¹

The ignition of a substrate (upholstered furniture, mattress or bedding) by a lit cigarette is a complex process that depends on the following factors: the characteristics of the substrate, the area of the burning cigarette coal, the speed of smouldering by the cigarette, and the zone of contact between the substrate and the smouldering cigarette. Ignition of a substrate occurs when the burning cigarette heats the substrate fabric or padding to the point where it begins to smoulder. A less ignition-prone cigarette either generates less heat (i.e. burns less fuel or restricts access of oxygen to the fuel) or heats the fabric less efficiently.

After reviewing more than 20 years of research, the Department of Health believes it is possible to reduce cigarette ignition propensity by altering certain design characteristics of manufactured cigarettes. Design alterations to reduce the amount of heat generated could include decreasing circumference, decreasing tobacco density and decreasing paper porosity. Decreasing the tobacco density and cigarette circumference would affect the amount of fuel (tobacco) available and decreasing paper porosity would restrict the flow of oxygen to the fuel. It is likely that a combination of these design changes would be required to meet the ignition propensity standard proposed in these Regulations.

In July 2000, a major American cigarette manufacturer released a reduced-ignition propensity version of one of its cigarette brands in the United States. In April 2001, it released a reduced ignition propensity version of the same brand in New Zealand. This product is made with a patented paper which has concentric bands of ultra-thin paper applied on top of traditional cigarette paper. The manufacturer claims that "These bands or rings act as 'speed bumps' to slow down the rate at which the cigarette burns as the lit end crosses over them." When tested by the U.S. National Institute of Standards and Technology, these cigarettes were found to have a significantly reduced ignition potential.

In December 2002, a consensus test method for measuring the relative ignition propensity of cigarettes was adopted under the auspices of ASTM International.² This method is known as ASTM E2187-02b *Standard Test Method for Measuring the Ignition Strength of Cigarettes*. It is based on the *Cigarette Extinction Test Method* developed by the United States National Institute of Standards and Technology.

rembourrés. Malgré ces efforts, les incendies allumés par des articles pour fumeurs continuent à faire de nombreuses victimes au Canada et causent en moyenne 70 décès et des lésions chez 300 personnes chaque année. On estime que les cigarettes commerciales sont responsables d'environ 82 p. 100 de ces incendies¹.

L'inflammation d'un substrat (meuble rembourré, matelas ou literie) par une cigarette allumée est un procédé complexe qui dépend des facteurs suivants : les caractéristiques du substrat, la taille du bout incandescent de la cigarette, la vitesse de la combustion lente ainsi que la zone de contact entre le substrat et la cigarette allumée. L'inflammation d'un substrat a lieu lorsqu'une cigarette allumée chauffe l'étoffe ou le rembourrage à un point tel qu'une combustion lente est amorcée. Une cigarette à potentiel d'allumage réduit génère moins de chaleur (c'est-à-dire qu'elle consomme moins de combustible ou qu'elle limite le débit d'oxygène) ou ne chauffe pas autant l'étoffe.

Après avoir étudié les résultats de plus de 20 ans de recherche, le ministère de la Santé croit qu'il est possible de réduire le potentiel d'allumage des cigarettes en modifiant certaines caractéristiques de conception des cigarettes commerciales. Les modifications visant à réduire la quantité de chaleur dégagée pourraient inclure une diminution de la circonférence, de la densité du tabac et de la porosité du papier. Une diminution de la densité du tabac et de la circonférence de la cigarette réduirait la quantité de combustible (tabac) disponible, tandis que la diminution de la porosité du papier réduirait l'arrivée d'oxygène. Selon toute vraisemblance, une combinaison de ces modifications serait nécessaire pour répondre à la norme de potentiel d'allumage proposée dans le Règlement.

En juillet 2000, un grand fabricant américain a mis en vente une cigarette à potentiel d'allumage réduit aux États-Unis. En avril 2001, ce même fabricant a lancé une version à potentiel d'allumage réduit de la même marque en Nouvelle-Zélande. Ce produit est fabriqué avec un papier breveté comportant des bandes concentriques de papier ultra-mince appliquées sur le papier de cigarette ordinaire. Le fabricant prétend que « ces bandes ou anneaux agissent comme des ralentisseurs de combustion lorsque le bout allumé les touche ». Lorsque le National Institute of Standards and Technology des États-Unis a mis ces cigarettes à l'essai, il a constaté que leur potentiel d'allumage était grandement réduit.

En décembre 2002, une méthode d'essai consensuelle a été adoptée par ASTM International² pour mesurer le potentiel d'allumage relatif des cigarettes. Cette méthode s'intitule ASTM E2187-02b *Standard Test Method for Measuring the Ignition Strength of Cigarettes* (Méthode d'essai normalisée pour mesurer le pouvoir d'allumage des cigarettes). Cette norme s'inspire de la méthode d'essai *Cigarette Extinction Test Method* (Méthode d'essai d'extinction des cigarettes) qui a été mise au point par le National Institute of Standards and Technology des États-Unis.

¹ Letiskow et al., 2000, estimate that 95 percent of fires started by smokers' materials (including cigars and pipes) are caused by cigarettes. In 2002, 86 percent of all cigarettes sold were manufactured cigarettes. Therefore, it is estimated that 82 percent of 'smokers' materials' fires are caused by manufactured cigarettes.

² ASTM International is a U.S.-based organization that develops consensus testing methods. ASTM used to stand for American Society for Testing and Materials. However, in 2001, the name was officially changed to ASTM International.

¹ Letiskow et coll. (2000) estiment que 95 p. 100 des incendies allumés par des articles pour fumeurs (y compris les cigares et les pipes) sont causés par des cigarettes. En 2002, 86 p. 100 de toute les cigarettes vendues étaient des cigarettes commerciales. On estime donc que 82 p. 100 des incendies allumés par des « articles pour fumeurs » sont causés par des cigarettes commerciales.

² ASTM International est un organisme américain qui élabore des méthodes d'essai consensuelles. Le sigle ASTM signifiait à l'origine American Society for Testing and Materials. Depuis 2001, cependant, le nom officiel est ASTM International.

In this test, a lit cigarette is placed on a set number (three, ten or fifteen) of layers of standard laboratory filter paper.³ The filter paper acts as a heat sink for the burning cigarette. Once the cigarette has cooled to a certain temperature, it should self-extinguish. The more layers of filter paper used, the sooner the cigarette should self-extinguish. For each number of layers of filter paper, the procedure is repeated 40 times. Failure is defined as the cigarette burning its full length. The results are then presented as “percent full-length burns.”

It is important to note that, while the end point in this test is the cessation of burning, it is not a test for “self extinguishing” cigarettes. Generally, cigarette designs that perform well in the filter paper test have also performed well on full-size furniture or furniture mock ups, sometimes burning their full length without causing an ignition. Thus, the test estimates whether a cigarette would burn long enough and strong enough to cause ignition should it be dropped on a piece of furniture. For more detail, a copy of ASTM’s *E2187-02b: Standard Test Method for Measuring the Ignition Strength of Cigarettes* (the filter paper method) can be obtained for a fee by contacting

ASTM International
100 Barr Harbor Drive
West Conshohocken
PA 19428-2959, USA
(610) 832-9585 (telephone)
(610) 832-9555 (facsimile)
www.astm.org (Web site)

The Department of Health has used ASTM E2187-02b to test the ignition propensity of 62 brands of cigarettes sold in Canada. The brands tested were specifically chosen to be representative of the various designs and characteristics of cigarettes currently found on the Canadian market. Only one brand was found to have significantly reduced ignition propensity when tested using this method.

The proposed Regulations would require all cigarettes manufactured in or imported into Canada as of October 1, 2005, to burn their full length no more than 25 percent of the time during 40 replicate tests on 10 layers of Whatman no. 2 filter paper as described by ASTM E2187-02b. This performance standard prescribes an objective but allows manufacturers the freedom to use the manufacturing process or technical design of their choosing to achieve it. All cigarettes manufactured in Canada will have to meet the ignition propensity standard. Cigarettes manufactured for export have not been exempted, as doing so could be detrimental to Canada’s reputation in the international community.

Further, in response to a concern raised by industry regarding the possibility of increased toxicity, proposed amendments to the Tobacco Reporting Regulations would require manufacturers and importers to perform annual toxicity testing on cigarette brands sold in Canada, both prior to and after the ignition propensity standard comes into force. Manufacturers and importers would be required to submit the results of these tests to the Department of Health on an annual basis.

At this time, insufficient information exists to mandate a standard for other tobacco products such as tobacco sticks,

Cet essai consiste à placer une cigarette allumée sur un nombre prédéterminé (trois, dix ou quinze) de couches de papier-filtre standard de laboratoire³. Le papier-filtre sert de dissipateur de chaleur pour la cigarette qui brûle. Lorsque le bout incandescent baisse à une certaine température, la cigarette devrait s’éteindre d’elle-même. Plus il y a de couches de papier-filtre, plus la cigarette devrait s’éteindre rapidement. Pour chaque nombre de couches de papier-filtre, la procédure est répétée 40 fois. Un échec est défini comme une cigarette qui brûle sur toute sa longueur. Les résultats sont ensuite présentés en « pourcentage de cigarettes ayant brûlé sur toute leur longueur ».

Bien que l’objectif de cet essai soit l’arrêt de la combustion, il importe de noter qu’il ne s’agit pas d’un essai de cigarettes « qui s’éteignent d’elles-mêmes ». En général, les conceptions de cigarettes qui réussissent bien à l’essai au papier-filtre réussissent aussi bien sur des meubles réels ou des maquettes de meubles, parfois même en brûlant au complet sans allumer l’étoffe de ces meubles. L’essai sert donc à estimer si la cigarette peut brûler assez longtemps ou assez chaudement pour causer l’inflammation d’un meuble sur lequel elle est laissée. On peut se procurer un exemplaire de la norme *E2187-02b: Standard Test Method for Measuring the Ignition Strength of Cigarettes* (l’essai au papier-filtre) auprès d’ASTM International :

ASTM International
100 Barr Harbor Drive
West Conshohocken
PA 19428-2959, USA
(610) 832-9585 (téléphone)
(610) 832-9555 (télécopieur)
www.astm.org (site Web)

Le ministère de la Santé s’est servi de la norme ASTM E2187-02b pour mettre à l’essai le potentiel d’allumage de 62 marques de cigarettes vendues au Canada. Les essais ont porté sur des marques sélectionnées pour représenter les diverses conceptions et caractéristiques des cigarettes actuellement vendues sur le marché canadien. Une seule marque a démontré un potentiel d’allumage réduit durant ces essais.

Le règlement prévu exigerait qu’à partir du 1^{er} octobre 2005, toutes les cigarettes fabriquées ou importées au Canada ne brûlent sur toute leur longueur au plus que 25 p. 100 du temps lors d’essais répétés 40 fois avec 10 couches de papier-filtre Whatman n° 2 tel qu’il est stipulé à la norme ASTM E2187-02b. Cette norme de rendement détermine un objectif mais laisse aux fabricants la liberté d’utiliser le procédé de fabrication ou la conception technique de leur choix pour atteindre cet objectif. Toutes les cigarettes fabriquées au Canada devront être conformes à la norme de potentiel d’allumage. Les cigarettes fabriquées pour l’exportation ne seront pas exemptées pour ne pas nuire à la réputation du Canada auprès de la communauté internationale.

De plus, pour donner suite aux préoccupations de l’industrie au sujet d’une augmentation possible de la toxicité des cigarettes, les modifications projetées au *Règlement sur les rapports relatifs au tabac* obligeront les fabricants et les importateurs à effectuer des essais annuels de toxicité sur les marques de cigarettes vendues au Canada, avant et après l’entrée en vigueur de la norme sur le potentiel d’allumage. Les fabricants et les importateurs seraient tenus de soumettre les résultats de ces essais au ministère de la Santé annuellement.

À l’heure actuelle, il n’existe pas suffisamment d’information pour rendre obligatoire une norme pour d’autres produits du

³ These are circular pieces of very pure cellulose paper often used to filter liquids in laboratories. The paper only chars when exposed to a lit cigarette (i.e. it does not catch fire or smoulder).

³ Ces morceaux circulaires de papier de cellulose très pur sont souvent utilisés pour filtrer des liquides en laboratoire. Le papier ne fait que se carboniser lorsqu’il est exposé à une cigarette allumée, c’est-à-dire qu’il n’y a ni allumage ni combustion lente.

hand-rolled cigarettes or cigars. The Department of Health has begun research to determine the necessity and practicality of reducing the ignition propensity of other tobacco products. Since manufactured cigarettes account for about 86 percent of total cigarette and fine-tobacco sales in Canada, the Department of Health believes the proposed Regulations will have a significant impact on the number of fires started by smokers' materials and on their associated losses.

On December 31, 2003, New York State became the first jurisdiction in the world to mandate a standard to reduce the ignition propensity of cigarettes when it proclaimed its *Fire Safety Standards for Cigarettes*. By June 28, 2004, all cigarette brands sold in New York State will have to have no more than 25 percent full-length burns when tested using a modified version of ASTM E2187-02b.

Alternatives

A number of options were considered in the analysis of this issue as follows:

1. The status quo

Department of Health research has concluded that reducing the ignition propensity of cigarettes is possible and that an acceptable test method exists to measure cigarette ignition propensity. The Department of Health therefore feels it is in the public's interest to take action to reduce the ignition propensity of cigarettes.

2. Alternative standards

The Department of Health considered the strictest measurable standard of 0 percent full-length burns on three layers of filter paper and a less strict standard of 50 percent full-length burns on ten layers of filter paper as measured by ASTM E2187-02b. The standard of 25 percent full-length burns on ten layers of filter paper was chosen because it is the strictest standard demonstrated to be achievable and it is expected to result in a significant reduction in the number of cigarette fires in Canada. This is the same standard adopted by New York State.

3. Technical standard

The Department of Health considered mandating a technical standard whereby regulations would have stipulated how cigarettes must be manufactured to reduce their ignition propensity. Technical standards are often used in health and safety regulations but are known to potentially stifle the research and implementation of new designs that may be better than the originally prescribed technical specifications. For this reason, the Department of Health has chosen to mandate a performance standard which prescribes an objective but allows manufacturers the freedom to use the manufacturing process or technical design of their choosing to achieve it.

4. Voluntary agreement

A voluntary agreement with the cigarette industry was considered. However, previous voluntary codes within the tobacco industry did not prove to be successful in reaching the Government's health objectives.

tabac, comme les bâtonnets de tabac, les cigarettes roulées à la main ou les cigares. Le ministère de la Santé a entrepris des recherches pour déterminer s'il est nécessaire et réalisable de réduire le potentiel d'allumage des autres produits du tabac. Étant donné que les cigarettes commerciales représentent environ 86 p. 100 des ventes totales de cigarettes et de tabac à coupe fine au Canada, le ministère de la Santé croit que le règlement proposé aura une incidence importante sur le nombre d'incendies allumés par des articles pour fumeurs ainsi que les pertes qu'ils entraînent.

Le 31 décembre 2003, l'État de New York est devenu la première administration au monde à imposer une norme pour réduire le potentiel d'allumage des cigarettes avec l'adoption des *Fire Safety Standards for Cigarettes* (Normes de sécurité incendie pour les cigarettes). À compter du 28 juin 2004, toutes les marques de cigarettes vendues dans cet État devront subir les essais d'une version modifiée de la norme ASTM E2187-02b, et il ne devra pas y avoir plus de 25 p. 100 des cigarettes de chaque marque qui brûlent sur leur pleine longueur dans les conditions d'essais.

Solutions envisagées

Un certain nombre d'options ont été envisagées au cours de l'analyse de la question.

1. Le statu quo

Les recherches entreprises par le ministère de la Santé ont permis de conclure que la réduction du potentiel d'allumage des cigarettes est possible et qu'il existe une méthode d'essai acceptable pour la mesurer. Le ministère de la Santé croit donc qu'il est dans l'intérêt du public de prendre des mesures concrètes pour réduire le potentiel d'allumage des cigarettes.

2. D'autres normes

Le ministère de la Santé a étudié la possibilité d'imposer la norme de mesure la plus sévère, soit 0 p. 100 de cigarettes qui brûlent sur leur pleine longueur avec du papier-filtre à trois couches ou une norme moins sévère exigeant 50 p. 100 de cigarettes qui brûlent sur leur pleine longueur avec du papier-filtre à dix couches, les mesures étant effectuées selon la norme ASTM E2187-02b. Il a choisi la norme limitant à 25 p. 100 le nombre de cigarettes brûlant sur leur pleine longueur sur dix couches de papier-filtre puisqu'elle est la plus sévère réalisable et qu'elle devrait permettre une réduction importante du nombre d'incendies allumés par des cigarettes au Canada. Il s'agit aussi de la norme adoptée par l'État de New York.

3. Une norme technique

Le ministère de la Santé estime qu'il faudrait rendre obligatoire une norme technique par laquelle le règlement imposerait la méthode de fabrication des cigarettes pour réduire leur potentiel d'allumage. Les normes techniques servent souvent pour établir les règlements en matière de santé et de sécurité mais sont reconnues pour avoir le potentiel de mettre en veilleuse la recherche et la mise en œuvre de nouvelles conceptions qui pourraient s'avérer plus efficaces que la norme technique fixée à l'origine. Pour cette raison, le ministère de la Santé a décidé de rendre obligatoire une norme de rendement qui fixe un objectif mais laisse les fabricants libres de choisir le procédé de fabrication ou la conception technique qu'ils préfèrent pour l'atteindre.

4. Accord volontaire

Le ministère de la Santé a envisagé la possibilité de conclure un accord volontaire avec les fabricants de cigarettes. Cependant, les codes volontaires précédents conclus au sein de l'industrie du tabac n'ont pas réalisé les objectifs du Gouvernement en matière de santé.

Benefits and costs

Economic evaluation

This section of the Regulatory Impact Analysis Statement is a summary of the economic evaluation of the proposed Cigarette Ignition Propensity Regulations. For more details, please see the complete report posted on the Department of Health's Web site at <http://www.hc-sc.gc.ca/hecs-sesc/tobacco/legislation/index.html#reg>.

Estimated manufacturing costs

To analyse the impact of the proposed Regulations on the cigarette-manufacturing sector, a baseline model of the cost structure for a representative cigarette manufacturer was first developed. The results of this model indicate that total manufacturing costs (i.e. before operating profits and taxes) for a representative cigarette manufacturer are approximately \$5.70 per carton. A two-part analysis was then used to estimate compliance costs: a modelled estimate and an estimate based on an industry outreach survey.

Both the modelled and the survey-based estimates include the following costs:

- manufacturing, quality assurance and other costs of compliance with the ignition propensity standard;
- toxicity testing and reporting as required by proposed amendments to the *Tobacco Reporting Regulations*;
- additional emissions tests and potential printing costs necessary to comply with the current *Tobacco Reporting Regulations*; and
- up-front research and development costs amortized over time.

For the industry outreach survey, questionnaires were sent to all known cigarette manufacturers and importers as well as a sample of other potentially affected parties including retailers, distributors, growers and unions. To facilitate response, an outline of the anticipated Regulations was included and the questionnaires were tailored to each sector; for example, the questionnaire for manufacturers included an estimated baseline cost structure for a representative cigarette manufacturer along with examples of possible changes in this cost structure as a result of the Regulations.

The intent of this exercise was to give stakeholders the opportunity to provide input on the potential costs and other impacts of the proposed Regulations. In total, nine responses were received from manufacturers (3), importers (3), unions (2) and retailers (1). However, only manufacturers and importers provided estimates of expected costs and these estimates varied. In order to ensure a reliable, upper cost bound, the survey-based estimate uses the highest values provided by stakeholders.

From this, the modelled estimate established the cost of compliance at \$0.126 per carton, while the survey estimated it at \$0.257 per carton;⁴ this translates into annual costs of \$26 million and \$53 million, respectively. Using a discount rate of 3 percent, the present value would range from \$867 million to \$1.77 billion assuming the costs would remain constant in perpetuity. As is the practice, a sensitivity analysis was conducted on alternative discount rates ranging from 1 percent to 10 percent. Further details of this analysis can be found in the complete report.

⁴ All values are expressed in 2002 dollars.

Avantages et coûts

Évaluation économique

Cette section du Résumé de l'étude d'impact de la réglementation résume l'évaluation économique du règlement projeté sur le potentiel d'allumage des cigarettes. Pour obtenir de plus amples détails, prière de consulter le rapport complet affiché sur le site Web du ministère de la Santé à l'adresse <http://www.hc-sc.gc.ca/hecs-sesc/tabac/reglements/index.html#reg>.

Estimation des coûts de production

Pour analyser l'impact du règlement projeté sur le secteur de la fabrication de cigarettes, on a d'abord élaboré un modèle de référence de la structure des coûts d'un fabricant de cigarettes typique. Ce modèle a permis de constater que les coûts de production totaux (c'est-à-dire avant les bénéfices d'exploitation et les taxes) d'un fabricant de cigarettes typique sont approximativement de 5,70 \$ la cartouche. Une analyse en deux parties a ensuite permis d'estimer les coûts de la conformité : une estimation basée sur le modèle et une autre basée sur un sondage d'information de l'industrie.

Les estimations basées sur le modèle et sur le sondage comprennent les coûts suivants :

- production, assurance de la qualité et autres coûts pour se conformer à la norme de potentiel d'allumage;
- essai de toxicité et établissement de rapports comme l'exigent les modifications projetées au *Règlement sur les rapports relatifs au tabac*;
- essais supplémentaires sur les émissions et coûts d'imprimerie nécessaires pour se conformer à l'actuel *Règlement sur les rapports relatifs au tabac*;
- coûts initiaux de recherche et de développement amortis avec le temps.

Pour le sondage de l'industrie, des questionnaires ont été envoyés à tous les fabricants et importateurs de cigarettes connus et à certains autres intervenants potentiellement concernés, dont des détaillants, des distributeurs, des tabaculteurs et des syndicats. Afin de faciliter les réponses, un résumé du futur règlement était joint aux questionnaires, et ces derniers étaient adaptés à chaque secteur. Par exemple, le questionnaire pour les fabricants comprenait une structure des coûts de référence estimative pour un fabricant de cigarettes typique ainsi que des exemples des modifications possibles que le Règlement pourrait apporter à cette structure.

Le but de cet exercice était de donner aux intervenants l'occasion de faire des commentaires sur les coûts potentiels et les autres impacts du règlement projeté. En tout, neuf réponses ont été reçues : trois de fabricants, trois d'importateurs, deux de syndicats et un des détaillants. Cependant, seuls les fabricants et les importateurs ont fourni des estimations sur les coûts prévus, et celles-ci variaient. Afin de s'assurer d'une limite supérieure fiable pour les coûts, les estimations basées sur les sondages ont retenu les valeurs les plus élevées fournies par les intervenants.

À partir de ces données, l'estimation basée sur le modèle a établi les coûts de la conformité à 0,126 \$ la cartouche, tandis que l'estimation basée sur le sondage les a établis à 0,257 \$ la cartouche⁴. Ces augmentations se traduisent par des coûts annuels de 26 millions de dollars et de 53 millions de dollars, respectivement. Avec un taux d'escompte de 3 p. 100, la valeur actualisée se situerait entre 867 millions de dollars et 1,77 milliard de dollars, dans l'hypothèse où les coûts resteraient constants à perpétuité. Comme le veut la pratique, une analyse de sensibilité a

⁴ Toutes les valeurs sont en dollars de 2002.

Compliance cost impacts on tobacco growers and paper suppliers, as well as impacts on trade and competitiveness, are expected to be marginal to the Canadian economy. Implementation of the proposed Regulations is not expected to impose additional costs on the distribution or retail sale of domestic cigarettes.

Potential benefits

Baseline fire loss estimates

The intent of the proposed Regulations is to reduce deaths, injuries and property damages resulting from fires started by manufactured cigarettes. Thus, the direct benefit of the proposed Regulations would be equal to the monetized value of the avoided health effects and property damage. The first step in assessing these benefits is to estimate the situation in the absence of control, or the baseline situation. To do so, this analysis uses annual reports of the Canadian Council of Fire Marshals and Fire Commissioners and data from Alberta and Ontario.

The Canadian Council of Fire Marshals and Fire Commissioners annually publishes reports providing national data on fire losses by ignition source. These reports indicate that smokers' articles (including cigarettes, cigars, and pipes as well as lighters and matches used in conjunction with smoking) caused an average of more than 3 200 fires per year from 1992 through 2000, and accounted for an annual average of 75 fatalities, 349 injuries, and \$44.7 million in property damage nationally during this period. The data also indicate that firefighters sustain 22 percent, and civilians, 78 percent of the injuries caused by fires started by smokers' materials. These percentages are used later in the analysis to separate firefighter injuries from civilian injuries for the purpose of valuing the potential benefits of the proposed Regulations.

Alberta is the only province that tracks cigarettes as a separate ignition source. For this reason, this analysis uses the Alberta fire loss data to adjust the national data to reflect fire losses attributable solely to cigarettes. This adjustment results in scaling factors of 75 percent for fires, 82 percent for fatalities, 76 percent for injuries and 73 percent for property damage. In addition, not all cigarettes are manufactured; Canadian sales data from 2002 indicate that approximately 86 percent of all cigarettes sold were manufactured. The remaining 14 percent were tobacco sticks or hand-rolled cigarettes. Since the proposed Regulations would mandate a standard for manufactured cigarettes only, the figures are further adjusted by a factor of 86 percent to account for fires ignited by manufactured cigarettes only.

Based on this, it can be estimated that, without the proposed Regulations, manufactured cigarettes would ignite approximately 2 085 fires in Canada each year, resulting in an average of 53 deaths, 227 injuries (51 firefighters, 176 civilians), and \$28.1 million in property damage. These numbers form the baseline for the rest of the analysis.

National data on the nature and severity of civilian injuries associated with cigarette-related fires are limited. For this reason, the national data are supplemented with injury data from the

été effectuée avec des taux d'escompte variant de 1 p. 100 à 10 p. 100. Les détails de cette analyse se trouvent dans le rapport complet.

L'impact des coûts de la conformité sur les tabaculteurs et les fournisseurs de papier et l'impact sur le marché et la compétitivité auront peu d'effet sur l'économie canadienne. La mise en œuvre du projet de règlement ne devrait pas faire augmenter les coûts de distribution ou de vente au détail des cigarettes au pays.

Avantages potentiels

Base de référence pour l'évaluation des pertes dues aux incendies

Le but du projet de règlement est de réduire le nombre de décès, de blessés et de dommages matériels attribuables aux incendies déclenchés par des cigarettes commerciales. Les avantages directs de cette réglementation seraient équivalents à la valeur monétaire des effets sur la santé et des dommages à la propriété qui pourraient être évités. La première étape de l'évaluation de ces avantages consiste à évaluer ce qui se passerait en l'absence de contrôle ou de situation de référence. Pour ce faire, la présente analyse utilise les rapports annuels du Conseil canadien des directeurs provinciaux et des commissaires aux incendies et des données de l'Alberta et de l'Ontario.

Le Conseil canadien des directeurs provinciaux et des commissaires aux incendies publie des rapports annuels fournissant des données sur les pertes directement imputables aux incendies en fonction de leur origine. Ces rapports indiquent que les articles de fumeur (y compris les cigarettes, les cigares et les pipes ainsi que les briquets et les allumettes associés à l'usage du tabac) ont causé en moyenne plus de 3 200 incendies par an de 1992 à 2000, et qu'ils ont en moyenne entraîné annuellement 75 décès, 349 cas de blessures et 44,7 millions de dollars de dommages matériels à l'échelle nationale pendant cette période. Selon les données, 22 p. 100 des victimes de blessures causées par des incendies déclenchés par des articles de fumeur sont des pompiers et 78 p. 100 sont des civils. Ces pourcentages sont utilisés ultérieurement dans les analyses pour différencier le nombre de blessés parmi les pompiers et parmi les civils, dans le but d'évaluer les avantages potentiels de la réglementation projetée.

L'Alberta est la seule province qui enregistre les cigarettes comme une source d'incendie distincte. Pour cette raison, cette analyse utilise les données sur les incendies de l'Alberta pour ajuster les données nationales afin qu'elles reflètent les pertes directement imputables aux incendies causés uniquement par les cigarettes. Cet ajustement se traduit par des facteurs d'échelle de 75 p. 100 pour les incendies, de 82 p. 100 pour les décès, de 76 p. 100 pour les blessures et de 73 p. 100 pour les pertes matérielles. De plus, selon des données relatives aux ventes pour 2002, les cigarettes commerciales ne représentent approximativement que 86 p. 100 de la totalité des cigarettes consommées au Canada. Les 14 p. 100 restants sont constitués de bâtonnets de tabac ou de cigarettes roulées à la main. Étant donné que le règlement projeté imposerait une norme pour les cigarettes commerciales seulement, les statistiques doivent être ajustées d'un facteur de 86 p. 100 pour refléter les incendies causés uniquement par ce type de produit.

En se basant sur ce qui précède, on peut évaluer que, sans ce règlement, les cigarettes commerciales causeraient approximativement 2 085 incendies au Canada chaque année, entraînant en moyenne 53 décès, 227 blessés (51 pompiers, 176 civils) et 28,1 millions de dollars en dommages matériels. Ces chiffres représentent la base de référence pour le reste de l'analyse.

Les données nationales sur la nature et la gravité des blessures des civils associées aux incendies reliés à la cigarette sont limitées. Pour cette raison, elle doivent être complétées par les

Ontario Office of the Fire Marshal, which maintains information on the nature and severity of injuries sustained as a result of fires ignited by lit smokers' materials. Table 1 presents a summary of the results of an assessment of the Ontario injury data for 1995 through 2001.

Nature and Severity of Injury ^a	Percentage of Total Injuries
Asphyxia/Respiratory Condition - Minor	27.6%
Asphyxia/Respiratory Condition - Serious	17.7%
Burns or Scalds - Minor	13.8%
Burns or Scalds - Serious	11.4%
Other - Minor	20.1%
Other - Serious	9.4%
Total	100.0%

Notes:
^a "Other" injuries include injuries identified as "unknown." To characterize the overall distribution of injuries, injuries of unknown severity are allocated to the minor or serious category in proportion to the reported severity of other injuries of the same type.
 Source: Analysis of injury data from the Office of the Fire Marshal, Ontario.

The data indicate that the most common injuries caused by fires started by lit smokers' materials in Ontario are asphyxia or respiratory conditions (45.3 percent) and burns or scalds (25.2 percent). Slightly fewer than 40 percent of the injuries reported are identified as serious. The analysis applies this information to characterize the likely distribution of injuries attributable to fires caused by manufactured cigarettes.

Estimated effect of the proposed Regulations

The benefit of the proposed Regulations would be the reduction in fire-related losses as a result of compliance with the ignition propensity standard. To estimate this potential benefit, two scenarios are used.

Scenario 1: 68 percent reduction in fires caused by manufactured cigarettes

This scenario is based on data indicating that the ignition propensity of cigarettes measured by ASTM E2187-02b correlates well with the ignition propensity of cigarettes established by bench-scale testing. Further, the 1987 U.S. Technical Study Group on Cigarette and Little Cigar Fire Safety (TSG) report found that ignition results in bench-scale furniture mock-up tests correlate strongly with ignition results using actual furniture. However, the relationship between bench-scale and full-scale tests indicates that the bench-scale test would underestimate the ignition of full-scale furniture by a factor of 1.26. Thus, Scenario 1 assumes that the proposed standard of 25 percent full-length burns will result in a 68 percent reduction in cigarette-ignited fires and fire losses. This is considered the best-case scenario.

Scenario 2: 34 percent reduction in fires caused by manufactured cigarettes

By reducing the best-case scenario presented in Scenario 1 by 50 percent, Scenario 2 attempts to take into account factors such as easily ignitable fabrics, fires started in garbage cans or on paper instead of couches or beds, and the uncertain

données sur les blessures provenant du Bureau du commissaire aux incendies de l'Ontario, qui détient des renseignements sur la nature et la gravité des blessures reçues à la suite d'incendies déclenchés par des articles de fumeur. Le tableau 1 présente un résumé des résultats d'une évaluation des données sur les blessures en Ontario pour la période comprise entre 1995 et 2001.

Nature et gravité des blessures ^a	Pourcentage du nombre total de blessures
Asphyxie, problèmes respiratoires : mineures	27,6%
Asphyxie, problèmes respiratoires : graves	17,7%
Brûlures ou ébouillantage : mineures	13,8%
Brûlures ou ébouillantage : graves	11,4%
Autres : mineures	20,1 %
Autres : graves	9,4%
Total	100,0 %

Notes :
^a Dans « Autres », on intègre tout ce qui est « indéterminé ». Pour caractériser la distribution globale des blessures, celles de gravité indéterminée sont réparties entre mineures et graves selon les proportions de gravité déclarées d'autres blessures de même type.
 Source: Analyse des données sur les blessures enregistrées par le Bureau du commissaire des incendies de l'Ontario.

Les données indiquent que la plupart des blessures courantes causées par des incendies déclenchés par des articles de fumeur en Ontario sont l'asphyxie ou les problèmes respiratoires (45,3 p. 100) et les brûlures ou les ébouillantages (25,2 p. 100). Un peu moins de 40 p. 100 des blessures déclarées sont identifiées comme graves. L'analyse utilise cette information pour caractériser la distribution probable des blessures attribuables à des incendies causés par des cigarettes commerciales.

Évaluation de l'impact du projet de règlement

Les avantages potentiels de la nouvelle réglementation seraient une réduction de pertes reliées aux incendies découlant de la conformité à la norme sur le potentiel d'allumage. Pour évaluer ces avantages potentiels, deux scénarios sont utilisés.

Scénario 1 : réduction de 68 p. 100 des incendies causés par des cigarettes commerciales

Ce scénario est basé sur les données indiquant que le potentiel d'allumage des cigarettes mesuré selon la norme ASTM E2187-02b correspond bien au potentiel d'allumage des cigarettes établi par des essais à l'échelle du laboratoire. De plus, le rapport du Technical Study Group on Cigarette and Little Cigar Fire Safety (TSG) des États-Unis (1987) indique que les résultats des essais à l'échelle du laboratoire sur des maquettes de meubles correspondent bien aux résultats d'essais dans lesquels on utilise des meubles réels. Cependant, la relation entre les essais à l'échelle du laboratoire et les essais à l'échelle réelle indique que dans le premier cas, on aurait sous-évalué l'allumage des meubles d'un facteur de 1,26. Par conséquent, le scénario 1 laisse supposer que la norme limitant à 25 p. 100 le nombre de cigarettes brûlant sur leur pleine longueur se traduira par une réduction de 68 p. 100 des incendies et des pertes matérielles directement imputables aux incendies provoqués par la cigarette. Ce scénario est considéré comme le meilleur cas.

Scénario 2 : réduction de 34 p. 100 des incendies causés par des cigarettes commerciales

En réduisant le scénario du meilleur cas (scénario 1) de 50 p. 100, le scénario 2 tient compte de facteurs comme les tissus facilement inflammables, les feux de poubelles ou de papier plutôt que de canapés ou de lits et la part incertaine des

influence of air flows or crevices on ignition propensity. This is considered a lower-bound estimate.

Applying these percentages to the baseline numbers provided above, Scenario 1 would prevent 36 fatalities, 155 injuries (120 civilians, 35 firefighters) and \$19.1 million in property damage per year. Similar figures for Scenario 2 would be 18, 77 (60, 17) and \$9.5 million, respectively.

The next step is to estimate the economic value of the potential reductions in fire losses. For property damage, no additional analysis is required since this loss is already expressed in monetary terms. In order to assign an economic value to the reduction in fatalities, the analysis uses a Value of Statistical Life (VSL) approach. This approach estimates a benefit of \$5.8 million per fatality avoided. The VSL estimate is based on an extensive review of the literature and is consistent with estimates the Department of Health has recently employed in other benefits assessments. Similar to the sensitivity analysis for discount rates, an uncertainty analysis of different VSL values was conducted. Further details can be found in the complete report.

A Health Care Cost (HCC) approach is used to value estimated reductions in injuries resulting from the proposed Regulations. This approach includes direct medical costs such as the costs of emergency transportation and care, hospital stays, medication, and doctor's visits. However, the approach does not estimate indirect costs such as an individual's willingness to pay to avoid a health effect or lost productivity, nor does it try to value intangible costs such as pain and suffering. The HCC is thus considered a lower bound of the economic valuation of illness or injury.

As no Canadian health care cost studies were found for health effects from cigarette-ignited fires, the cost of treatment estimates presented in Table 2 are based on a 1993 study of the societal costs of cigarette fires in the United States (Miller, et al., 1993).

Table 2: HCC Values for Civilian Injuries (2002 \$)

Severity of Injury	Category of Injury		
	Anoxia	Burns	Other
Serious - Hospitalisation	7,777	78,738	21,963
Serious - No Hospitalisation	1,072	1,072	791
Minor	151	151	151

Firefighters are less likely than civilians to sustain serious burns or other injuries as a result of a fire, since they approach the fire alert, well-protected, and well-trained. The U.S. study estimates a cost per injury of \$1,679 for non-fatal injuries to firefighters. This amount is factored in the health care cost estimates.

The following table presents the estimated annual benefits of the proposed Regulations, generated by applying the VSL and HCC estimates to the estimated annual reductions.

Table 3: Estimated Annual Benefits of the Proposed Regulations (2002 \$)

Reduction Scenario	Reduced Fatalities	Reduced Injuries	Reduced Property Damage	Total Benefits
Scenario 1	208.8 million	0.2 million	19.1 million	228.1 million
Scenario 2	104.4 million	0.1 million	9.6 million	114.1 million

courants d'air et des fissures sur le potentiel d'allumage. Ce scénario est considéré comme une évaluation minimale.

En appliquant ces pourcentages aux chiffres de la référence de base susmentionnés, le scénario 1 permettrait d'éviter 36 décès, 155 blessés (120 civils, 35 pompiers) et 19,1 millions de dollars de dommages matériels par an. Dans le scénario 2, ces nombres seraient respectivement de 18 décès, 77 blessés (60 civils, 17 pompiers) et 9,5 millions de dommages matériels par an.

La prochaine étape consiste à évaluer la valeur économique des réductions potentielles des pertes directement imputables aux incendies. Pour les dommages matériels, aucune analyse supplémentaire n'est nécessaire, vu que ces dommages sont déjà chiffrés. De manière à attribuer une valeur économique à la réduction des décès, l'analyse utilise une approche de la valeur d'une vie statistique (VVS). Cette approche permet d'évaluer des avantages de 5,8 millions de dollars par décès évité. L'évaluation de la VVS est basée sur un examen approfondi de la documentation et concorde avec les évaluations que le ministère de la Santé a récemment utilisées pour calculer d'autres avantages. De manière similaire à l'analyse de sensibilité pour les taux d'actualisation, une analyse d'incertitude de VVS différentes a été effectuée. On trouvera des détails supplémentaires dans le rapport complet.

Une approche des coûts liés aux soins de santé est utilisée pour estimer la réduction évaluée des blessures grâce au projet de règlement. Cette approche intègre les coûts associés aux blessures comme les coûts des transports d'urgence et des soins, des frais de séjour d'hôpital, des médicaments et des visites chez le médecin. Cependant, l'approche n'évalue pas les coûts indirects comme la volonté individuelle de payer pour éviter des conséquences sur la santé ou la perte de productivité, ni d'évaluer les coûts immatériels comme la douleur et la souffrance. Les coûts liés aux soins de santé sont donc considérés un seuil minimal dans l'évaluation économique des maladies ou des blessures.

Comme il n'existe pas d'études canadiennes sur les coûts des soins de santé découlant d'incendies causés par la cigarette, les estimations des traitements données au tableau 2 sont basées sur une étude de 1993 des coûts de la cigarette aux États-Unis (Miller, et al., 1993).

Tableau 2 : Coûts des soins de santé pour les blessés civils (\$ de 2002)

Gravité des blessures	Catégorie des blessures		
	Anoxie	Brûlures	Autres
Graves - Hospitalisation	7 777	78 738	21 963
Graves - Sans hospitalisation	1 072	1 072	791
Mineures	151	151	151

Les pompiers risquent moins que les civils d'avoir des brûlures graves ou d'autres blessures, car ils s'approchent du feu en étant vigilants, bien protégés et bien entraînés. L'étude américaine évalue à 1 679 \$ le coût par blessure non mortelle de pompier. Cette somme est intégrée dans l'évaluation du coût des soins de santé.

Le tableau ci-dessous présente l'évaluation des avantages annuels du règlement projeté engendrés par l'application de la VVS et des coûts liés aux soins de santé à l'évaluation des réductions annuelles.

Tableau 3 : Évaluation des avantages annuels du règlement projeté (\$ de 2002)

Scénario	Réduction des décès	Réduction des blessures	Réduction des dommages matériels	Total des avantages
Scénario 1	208,8 millions	0,2 millions	19,1 millions	228,1 millions
Scénario 2	104,4 millions	0,1 millions	9,6 millions	114,1 millions

The present value of these benefits depends on the discount rate employed and the anticipated duration of the benefits. For the purpose of regulatory analysis, the Department of Health generally employs a discount rate of 3 percent, which reflects current estimates of the consumption rate of interest. As costs were calculated into perpetuity, benefits and costs are calculated in the same fashion. Hence, the potential dollar value of the proposed Regulations' benefits would range from \$7,604.1 million for Scenario 1 to \$3,802.1 million for Scenario 2.

Net benefits

In aggregate, the benefits described above would exceed the estimated costs of the regulation by a factor of 2 or more. The following table shows the present value of the net benefits (i.e. benefits minus costs) for the scenarios presented above.

Benefits Scenarios	Net Benefits	
	Modelled Cost Estimate	Industry-based Cost Estimate
Scenario 1	6,737.4	5,837.4
Scenario 2	2,935.5	2,035.5

Distribution of costs and benefits

The tobacco industry and its customers would feel the primary impacts of the proposed Regulations. Ontario is Canada's largest tobacco producer, accounting for more than 90 percent of Canadian tobacco production. Quebec and Prince Edward Island produce most of the remaining tobacco.

If the cost of complying with the proposed Regulations were entirely absorbed by cigarette manufacturers, the companies' operating profits would be reduced by an estimated 2.9 to 5.9 percent. Alternatively, cigarette manufacturers could raise prices to reflect their increased costs. While some price increase is likely, the degree to which individual manufacturers would raise prices is uncertain, and would depend on competitive forces within the tobacco products market. Given the degree of competition in that market, it is unlikely that prices would rise by the full amount of the estimated cost increase (i.e. by \$0.13 to \$0.26 per carton). Nonetheless, for purposes of bounding the potential economic impacts of the regulation, it is useful to consider this scenario.

Assuming an average baseline retail price (including all taxes and duties) of \$65.24 per carton, the addition of \$0.13 to \$0.26 would represent a retail price increase of 0.2 to 0.4 percent. Using a price elasticity of demand for adults of -0.4, a 0.2 to 0.4 percent increase in cigarette prices would be expected to result in a decline in demand of 0.08 to 0.16 percent, or a reduction in annual sales of 152 200 to 304 500 cartons. Geographically, costs passed through to consumers would likely be distributed by province roughly in proportion to the geographic distribution of the nation's cigarette smokers. Approximately 61 percent of cigarette smokers reside in Ontario and Quebec, thus a similar proportion of the costs of the proposed Regulations would likely accrue to residents of these provinces. The other provinces would account for a smaller share of total costs, in proportion to their share of the smoking population.

La valeur actuelle de ces avantages dépend de leur durée et du taux d'escompte utilisé. À des fins d'analyse de la réglementation, le ministère de la Santé utilise généralement un taux d'escompte de 3 p. 100, qui reflète les évaluations actuelles du taux d'actualisation de la consommation. Comme les coûts ont été calculés à perpétuité, les avantages et les coûts sont calculés de la même manière. Par conséquent, la valeur potentielle des avantages du projet de règlement se situe entre 7 604,1 millions de dollars pour le scénario 1 et 3 802,1 millions de dollars pour le scénario 2.

Avantages nets

Globalement, les avantages décrits dépasseraient l'évaluation des coûts de la réglementation d'un facteur de 2 ou plus. Le tableau ci-dessous indique la valeur actuelle des avantages nets (c'est-à-dire les avantages moins les coûts) pour les scénarios présentés plus haut.

Scénarios des avantages	Avantages nets	
	Évaluation du coût basée sur le modèle	Évaluation du coût basée sur l'industrie
Scénario 1	6 737,4	5 837,4
Scénario 2	2 935,5	2 035,5

Ventilation des coûts et des avantages

L'industrie du tabac et ses clients ressentiraient les premiers effets du projet de règlement. L'Ontario assure plus de 90 p. 100 de la production de tabac au Canada, le Québec et l'Île-du-Prince-Édouard produisant la plupart du tabac restant.

Si le coût de la conformité à la nouvelle réglementation était entièrement absorbé par les fabricants de cigarettes, leurs bénéfices d'exploitation seraient réduits de 2,9 p. 100 à 5,9 p. 100. De leur côté, les fabricants de cigarettes pourraient augmenter les prix en fonction de l'augmentation des coûts. Bien qu'une certaine augmentation des prix soit probable, l'augmentation adoptée par chaque fabricant est inconnue, et dépendra de la concurrence. Étant donné le niveau de concurrence dans ce marché, il est peu probable que les prix répercutent la totalité de l'augmentation du coût évaluée (c'est-à-dire de 0,13 \$ à 0,26 \$ par cartouche). Néanmoins, dans le but d'évaluer le potentiel des effets économiques de la réglementation, il est utile d'envisager ce scénario.

En supposant une valeur de base moyenne du prix de détail de 65,24 \$ par cartouche (toutes taxes et tous droits compris), l'augmentation de 0,13 \$ à 0,26 \$ représenterait 0,2 p. 100 à 0,4 p. 100 du prix de détail. En utilisant une élasticité de la demande en fonction du prix pour les adultes inférieure à 0,4 p. 100, une augmentation du prix des cigarettes de 0,2 p. 100 à 0,4 p. 100 entraînerait probablement une baisse de la demande de 0,08 p. 100 à 0,16 p. 100, soit une réduction des ventes totales annuelles de 152 200 à 304 500 cartouches. Géographiquement, les coûts transférés aux consommateurs seraient probablement répartis entre les provinces approximativement en proportion avec la distribution géographique des fumeurs de cigarettes au pays. Environ 61 p. 100 des fumeurs de cigarettes résident en Ontario et au Québec, donc, une proportion similaire des coûts de la nouvelle réglementation serait vraisemblablement supportée par les résidents de ces provinces. Les autres provinces supporteraient une partie plus petite du coût total, en proportion du nombre de fumeurs.

Although annual revenues from cigarette sales following the anticipated price increase would be expected to increase by \$23.3 million to \$46.5 million, this would not fully offset the increase in manufacturing costs. As a result, manufacturers' annual operating profits could be expected to decline by approximately \$0.7 million to \$1.3 million (i.e. 0.08 to 0.16 percent).

Cigarette manufacturers, tobacco growers, and distributors or retailers could experience some downward pressure on employment due to a decrease in cigarette sales. A study performed by the Department of Health in 1996 concluded that a decline in the demand for cigarettes would lead to a reduced demand for labour, especially in the retail, agriculture and tobacco products industries. However, when the impacts of this decline were reallocated to demands for other goods and services, it was predicted that the loss of jobs and income would be more than offset by increases in other sectors. It should be noted that between 1983 and 1998, the demand for tobacco products fell by 29 percent and there was an orderly adjustment.

The proposed Regulations would directly benefit segments of the population that might otherwise become victims of cigarette-ignited fires. This includes Canadians who smoke — an estimated 20 percent of the population aged 15 and over — and non-smokers who reside with them. Studies of fire damages in other countries indicate that approximately 40 percent of the victims of cigarette-ignited fires are non-smokers. According to the literature, victims tend to be those whose ability to respond to and escape from a fire is impaired. This includes the elderly, the very young, individuals with mental or physical disabilities, and individuals who are sleeping and/or under the influence of drugs or alcohol. With respect to age, the Ontario data indicate that the elderly are disproportionately more likely to be killed in fires caused by lit smokers' materials. More than 27 percent of the fatalities involved individuals over the age of 70, a group representing only 9 percent of the population nationwide.

Data on the geographic distribution of cigarette-fire damages are unavailable. It is reasonable to assume, however, that the benefits of the proposed Regulations would be distributed by province roughly in proportion to the geographic distribution of the nation's cigarette smokers. Approximately 61 percent of cigarette smokers reside in Ontario and Quebec, thus a similar proportion of the benefits of the proposed Regulations would likely accrue to residents of those provinces. The other provinces would enjoy a smaller share of total benefits, in proportion to their share of the smoking population.

Consultation

A public consultation paper on possible regulation of cigarette ignition propensity was released on December 2, 2002. The document was mailed to more than 200 stakeholders and posted on the Department of Health's Web site. Forty-five responses were received from firefighters (30), non-governmental organisations (8) and the tobacco industry (7).

In October 2003, more than 40 letters were mailed to various affected parties, such as tobacco manufacturers, importers, retailers, growers and unions, inviting them to provide input into the cost assessment. The letters included an overview of the key elements of the regulatory proposal, as best as could be anticipated, along with a questionnaire intended to help respondents provide input. The questionnaires were tailored to each of the affected groups. In total, nine responses were received from manufacturers (3), importers (3), unions (2) and retailers (1). All relevant

Comme on s'attend à ce que les revenus annuels provenant des ventes de cigarettes à la suite de l'augmentation de prix prévue augmentent de 23,3 à 46,5 millions de dollars, cela ne compenserait pas complètement l'augmentation des coûts de fabrication. De ce fait, on pourrait s'attendre à ce que les bénéfices d'exploitation annuels des fabricants diminuent approximativement de 0,7 à 1,3 million de dollars (c'est-à-dire de 0,08 p. 100 à 0,16 p. 100).

Les fabricants de cigarettes, les tabaculteurs et les distributeurs ou les détaillants pourraient subir des pertes d'emploi à cause de la diminution de la vente de cigarettes. Une étude effectuée par le ministère de la Santé en 1996 a conclu qu'une baisse dans la demande de cigarettes se traduit par une réduction de la demande de main-d'œuvre, en particulier chez les détaillants et les tabaculteurs et dans l'industrie des produits de tabac. Cependant, quand les effets de cette baisse s'accompagnent de demandes pour d'autres biens et services, les pertes d'emplois et de revenus sont largement compensés par les augmentations dans d'autres secteurs. Il faut noter qu'entre 1983 et 1998, la demande de produits de tabac a chuté de 29 p. 100 et il y a eu un ajustement ordonné.

Le projet de règlement profiterait directement à des secteurs de la population qui pourraient, éventuellement, être les victimes d'incendies causés par la cigarette. Cela comprend les Canadiens qui fument — environ 20 p. 100 de la population âgée de 15 ans et plus — et les non-fumeurs qui résident avec eux. Des études effectuées à l'étranger sur les dommages causés par des incendies indiquent qu'environ 40 p. 100 des victimes d'incendies causés par la cigarette sont des non-fumeurs. Selon la documentation, les victimes sont surtout ceux dont les capacités à réagir et à s'enfuir sont affaiblies. Cela comprend les personnes âgées, les tout jeunes, les personnes avec des déficiences mentales ou physiques, et les personnes qui dorment ou qui sont sous l'influence de drogues ou de l'alcool. En ce qui concerne l'âge, les données de l'Ontario indiquent que les personnes âgées sont de manière disproportionnée plus susceptibles de perdre la vie dans un incendie causé par des produits de fumeurs allumés. Plus de 27 p. 100 des décès concernaient des personnes de 70 ans et plus, alors qu'elles représentent seulement 9 p. 100 de la population canadienne.

Les données sur la distribution géographique des dommages associés aux incendies causés par la cigarette ne sont pas disponibles. Cependant, il est raisonnable de supposer que les avantages de la réglementation projetée se répartiront dans les provinces approximativement en proportion de la distribution géographique des fumeurs de cigarettes. Environ 61 p. 100 des fumeurs de cigarettes résident en Ontario et au Québec, donc, une proportion similaire des avantages reviendrait vraisemblablement aux résidents de ces provinces. Les autres bénéficieraient d'une plus petite partie du total des avantages, en proportion avec leur population de fumeurs.

Consultations

Un document de consultation publique sur un avant-projet de règlement concernant le potentiel d'allumage des cigarettes a été publié le 2 décembre 2002. Il a été adressé à plus de 200 intervenants et affiché sur le site Web du ministère de la Santé. Quarante-cinq réponses ont été reçues : 30 des pompiers, 8 des organismes non-gouvernementaux et 7 de l'industrie du tabac.

En octobre 2003, plus de 40 lettres ont été adressées à des parties concernées, comme les fabricants, les importateurs, les détaillants et les tabaculteurs ainsi que les syndicats, les invitant à contribuer à l'évaluation des coûts. Les lettres contenaient une vue d'ensemble des éléments clés du projet de règlement, du mieux que l'on pouvait les prévoir, et un questionnaire pour aider les répondants. Les questionnaires ont été adaptés à chacun des groupes cibles. Au total, neuf réponses ont été reçues : 3 des fabricants, 3 des importateurs, 2 des syndicats et 1 des détaillants.

information received was incorporated into the cost-benefit assessment.

In addition, a number of meetings have been held with interested parties since January 2003.

The concerns raised during consultations, and the Department of Health's response, are summarised below.

1. Risk Behaviour

Some members of the tobacco industry indicated a need to further address the potential effects of reduced ignition propensity cigarettes on consumer fire-risk behaviour. To meet this need, it was suggested that the Department of Health

- include a process in the Regulations to monitor fire incidence and causation;
- be careful with potentially misleading terminology, especially the use of the term 'fire-safe;' and
- lead a public education campaign on the matter.

The majority of other stakeholders dismissed the idea that reduced ignition propensity cigarettes would create a false sense of security among smokers. Many suggested that smokers already have a false sense of security and that is exactly why reduced ignition propensity regulations are needed. Others referred to the use of seat belts and air bags as examples of similar safety initiatives that have saved lives despite claims that people would become more careless. One stakeholder suggested that the introduction of reduced ignition propensity cigarettes might actually highlight the dangers associated with conventional cigarettes, thus increasing fire-risk consciousness. A few others suggested a need for restricting the promotion of reduced ignition propensity cigarettes entirely.

To address this issue, the Department of Health is conducting a baseline survey to determine the current fire-risk behaviour of smokers with regard to cigarettes. The intent is to repeat the survey once the Regulations are fully implemented and assess whether smoker behaviour has changed. In addition, the Department of Health is using data from the Ontario Fire Marshal to paint a statistical picture of a typical cigarette fire in Ontario. Once the Regulations have been fully implemented, the Department of Health will be able to perform a comparative analysis. This analysis will be useful as an indicator of possible behavioural changes.

The Department of Health agrees that the terms "fire-safe" or "self-extinguishing" are potentially misleading, since burning objects cannot be made completely fire-safe. Whether a cigarette will self-extinguish or not is partly dependent on conditions external to the cigarette itself. For example, it is unlikely that reduced ignition propensity cigarette legislation would have prevented the terrible forest fires that wreaked havoc on British Columbia in 2003. Such fires are normally preceded by prolonged periods of drought, creating conditions whereby the underbrush is easily lit. For this reason, the Department of Health has chosen to adopt the term "reduced ignition propensity."

The Department of Health does not plan to run any education campaigns about reduced ignition propensity cigarettes or the fire risk from cigarettes. However, it will continue to assess the need for such a campaign as the issue progresses.

Toute information pertinente reçue a été intégrée dans l'évaluation coûts-avantages.

De plus, un certain nombre de réunions ont été tenues avec les parties intéressées depuis janvier 2003.

Les préoccupations exprimées pendant les consultations et la réponse du ministère de la Santé sont résumées ci-dessous.

1. Comportement de risque

Certains membres de l'industrie du tabac ont souligné le besoin d'analyser davantage les effets de la réduction du potentiel d'allumage des cigarettes sur le comportement des consommateurs en matière de risques d'incendie. Pour répondre à ce besoin, il a été suggéré que le ministère de la Santé :

- incorpore un mécanisme dans le Règlement pour surveiller la fréquence et l'étiologie des incendies;
- soit prudent avec la terminologie qui peut être trompeuse, particulièrement dans l'utilisation du terme anglais « fire-safe » (en français : à inflammabilité réduite);
- lance une campagne d'information publique sur la question.

La majorité des autres intervenants a écarté l'idée que la réduction du potentiel d'allumage des cigarettes créerait un faux sentiment de sécurité parmi les fumeurs. Beaucoup ont souligné que les fumeurs ont déjà un faux sentiment de sécurité et que c'est exactement pour cela qu'une réglementation sur la réduction du potentiel d'allumage est nécessaire. D'autres ont mentionné l'utilisation des ceintures de sécurité et des coussins gonflables comme des exemples de mesures de sécurité similaires qui ont sauvé des vies en dépit de certains qui prétendaient que les personnes seraient moins prudentes. Un intervenant a suggéré que l'introduction de la réduction du potentiel d'allumage des cigarettes pourrait en fait faire ressortir les dangers associés aux cigarettes classiques, augmentant ainsi la sensibilisation au risque d'incendie. D'autres ont suggéré le besoin de supprimer entièrement la promotion des cigarettes à potentiel d'allumage réduit.

Pour régler cette question, le ministère de la Santé effectue un sondage de référence pour déterminer le comportement actuel des fumeurs en matière de risques d'incendie en rapport avec les cigarettes. L'intention est de répéter le sondage après l'entrée en vigueur du Règlement et d'évaluer si le comportement a changé. De plus, le ministère de la Santé utilise des données du Commissaire aux incendies de l'Ontario pour dresser un tableau statistique d'un incendie typique dû à la cigarette en Ontario. Lorsque le Règlement sera entièrement en vigueur, le ministère de la Santé sera en mesure d'effectuer une analyse comparative. Cette analyse sera très utile comme indicateur des changements de comportement possibles.

Le ministère de la Santé convient que le terme anglais « fire-safe » et l'expression « cigarettes qui s'éteignent d'elles-mêmes » peuvent induire en erreur étant donné que des objets en feu de par leur nature présentent toujours un risque. Savoir si une cigarette s'éteindra d'elle-même ou non dépend en partie des conditions externes à la cigarette. Par exemple, il est peu probable que la réglementation sur la réduction du potentiel d'allumage aurait empêché les terribles incendies de forêt qui ont dévasté la Colombie-Britannique en 2003. De tels incendies sont normalement précédés de longues périodes de sécheresse, créant ainsi des conditions favorables à des feux de sous-bois. Pour cette raison, le ministère de la Santé a choisi d'adopter l'expression « potentiel d'allumage réduit ».

Le ministère de la Santé ne prévoit pas lancer de campagnes d'éducation sur les cigarettes à potentiel d'allumage réduit ni sur les risques d'incendie associés aux cigarettes. Toutefois, il continuera à évaluer le besoin de lancer une telle campagne au fur et à mesure que le dossier progresse.

2. The selected test method

The tobacco industry reported two concerns about the use of ASTM Method E2187-02b for measuring the relative ignition propensity of cigarettes: the method has no direct relationship to the real world, and the method has high inherent variability.

(A) *The method has no direct relationship to the real world*

To make this case, the tobacco industry often refers to (1) the use of filter paper as opposed to furniture mock-ups, (2) the inability to perform crevice testing and (3) the absence of an artificial airflow in the ASTM Method E2187-02b.

It is extremely rare, if not impossible, for a standard laboratory test in any scientific discipline to mimic the multivariate environments that exist in the real world. In developing methodologies, laboratory scientists strive to ensure that the parameter being measured is relevant and that the influence of other parameters is minimized.

Over the last 20 years, several attempts have been made to develop a method for measuring cigarette ignition propensity using furniture mock-ups made of fabric and foam. However, in order for a test to be useful for regulatory purposes, there must be a guaranteed, long-term supply of standard test materials of highly uniform quality. Since the material and foam used in the manufacture of furniture are highly variable and constantly changing, this consistency has proven extremely difficult to accomplish. Filter paper, on the other hand, is a product that is commonly used in scientific laboratories for a variety of purposes, and, thus, its supply can be guaranteed. Moreover, comparisons with ignition tests that use furniture mock-ups or full-scale furniture have shown good correlation with the filter paper method when tested on a variety of fabrics.

Some industry members have indicated disagreement with the above conclusion, even suggesting the possibility of "reversals," where a cigarette that does well in the filter paper test shows higher ignitions when placed on furniture mock-ups. However, the data cited to support this theory is somewhat unconvincing. For example, in such a study using furniture mock-ups with 500 randomly chosen fabrics, only six to ten of the fabrics actually showed a statistically significant "reversal" pattern and even this is questionable, since only six repetitions were performed for each furniture/fabric combination. The minimum number of suggested repetitions for this method is 24.

Other studies reporting similar findings have used a much smaller number of fabrics and have only provided limited information on the fabric characteristics or how the fabrics were chosen. Furthermore, the variations in the characteristics of the cigarettes used for testing are quite limited and, in some cases, of questionable validity.

In the case of airflow and crevices, conflicting results have been found when these variables have been introduced into the test method. For example, higher ignitions have generally been observed when a conventional cigarette is placed in a crevice furniture mock-up as opposed to a flat furniture mock-up. Yet, in one recently published industry study, the crevice mock-ups produced consistently lower ignitions. These types of conflicting results exemplify the difficulty in reproducing a particular airflow or specific positioning of a cigarette in a crevice.

2. Méthode d'essai choisie

L'industrie du tabac a fait part de deux préoccupations concernant l'utilisation de la méthode ASTM E2187-02b pour mesurer le potentiel d'allumage relatif des cigarettes : la méthode n'a pas de relation directe avec la réalité et elle a une variabilité inhérente élevée.

(A) *La méthode n'a pas de relation directe avec la réalité*

Pour justifier cette affirmation, l'industrie du tabac se rapporte souvent à : (1) l'utilisation de papier filtre au lieu de maquettes de meubles; (2) l'incapacité d'effectuer des essais dans des fissures; (3) l'absence d'un courant d'air artificiel dans la méthode ASTM E2187-02b.

Il est extrêmement rare, sinon impossible, pour une norme d'essai de laboratoire, quel que soit le domaine scientifique, de reproduire les multiples variantes environnementales qui existent dans la réalité. Dans le développement de méthodologies, les scientifiques s'efforcent de s'assurer que le paramètre qu'ils mesurent est pertinent et que les effets des autres paramètres sont minimes.

Au cours des 20 dernières années, on a essayé à plusieurs reprises de développer une méthode pour mesurer le potentiel d'allumage des cigarettes en utilisant des maquettes de meubles faites avec du tissu et de la mousse. Toutefois, pour qu'un essai soit utile à des fins de réglementation, il doit y avoir une garantie de fourniture à long terme de tissus d'essais qui soient de qualité rigoureusement uniforme. Étant donné que les tissus et les mousses utilisés dans la fabrication des meubles sont très différents et changent constamment, il s'est révélé très difficile de reproduire cette variable. Par ailleurs, le papier filtre est un produit couramment utilisé dans les laboratoires scientifiques pour une multitude d'usages, donc son approvisionnement peut être garanti. De plus, des comparaisons avec des essais d'allumage utilisant des maquettes de meubles ou des meubles grandeur nature ont montré une bonne relation avec la méthode du papier filtre quand on effectue les essais sur une variété de tissus.

Certains membres de l'industrie ont fait part de leur désaccord avec cette conclusion et ont même évoqué la possibilité d'effets contraires, citant le cas de cigarettes qui se comportent bien à l'essai du papier filtre mais ont un potentiel d'allumage supérieur lorsqu'elles sont placées sur une maquette de meuble. Cependant les données fournies à l'appui de cette affirmation ne sont pas très convaincantes. Par exemple, dans une étude où l'on utilisait des maquettes de meubles avec 500 tissus choisis au hasard, seuls six à dix tissus ont présenté un phénomène d'effet contraire statistiquement significatif, et là encore on peut avoir des doutes puisqu'on n'avait effectué que six répétitions pour chaque combinaison de meuble et de tissu. Or, le nombre minimum de répétitions recommandées pour cette méthode est de 24.

D'autres études faisant état de constatations similaires portaient sur un nombre moins grand de tissus et n'ont fourni que des données limitées sur les caractéristiques des tissus ou sur la façon dont ces tissus avaient été choisis. De plus, les variations des caractéristiques des cigarettes utilisées pour les essais étaient limitées et dans certains cas, leur validité douteuse.

Dans le cas des courants d'air et des fissures, on a obtenu des résultats contradictoires lorsque ces variables avaient été introduites dans la méthode d'essai. Par exemple, on a observé une inflammation généralement plus élevée en plaçant une cigarette classique dans une maquette de meuble avec fissure que dans une maquette de meuble lisse. Pourtant, dans une étude récente publiée par l'industrie, l'inflammation était systématiquement plus faible dans le cas de maquettes avec fissure. Ces genres de résultats contradictoires montre à quel point il est difficile de

The ASTM E2187-02b Method is a good predictor of the ability of a cigarette to ignite substrates such as mattresses, upholstered furniture or bedding. A cigarette that meets the proposed standard, namely 25 percent full-length burns on ten layers of filter paper using this method, can be expected to have a much lower ability to ignite upholstered furniture, mattresses or bedding under most circumstances when compared with the majority of currently available cigarettes which have 100 percent full-length burns, even on 15 layers of filter paper.

(B) The method has high inherent variability

Nine laboratories, including four in the cigarette industry, showed that the United States National Institute of Standards and Technology method, upon which the ASTM E2187-02b Method is based, produced results that were repeatable and reproducible. A report published by the United States National Institute of Standards and Technology in July 2003 confirmed that results from its Cigarette Extinction Test Method and from the ASTM E2187-02b Method are consistent.

It is normal for scientific test methods to have a degree of variability. Considering the problem at hand, the Department of Health considers the variability of this method acceptable for the regulatory purposes of setting a cigarette ignition propensity standard.

3. Available technology

One tobacco industry member indicated that the banded technology used by a major American cigarette manufacturer does not work and cited an industry study that tested three different cigarettes on thirty-four fabrics as evidence. Unfortunately, full details on the fabric characteristics, such as cellulosic content or how the fabrics were chosen, were not provided. This information would be important in understanding why the average sodium plus potassium ion content of the fabrics used to test cigarettes with banded paper was almost double that of a random sample of 500 fabrics from an earlier study. Similarly, certain cigarette characteristics were not provided, such as tobacco type, presence or absence of tobacco additives and citrate content of the paper. Neither does the study explain the choice of cigarette characteristics, such as the 80 CORESTA units (cu) base paper used with the banded cigarettes versus the 33 cu paper of the non-banded cigarette.

The Department of Health is proposing a performance standard of 25 percent full-length burns on ten layers of filter paper using the ASTM E2187-02b Method. This approach leaves manufacturers free to use the manufacturing process or technical design of their choosing to achieve the standard. Thus, if manufacturers feel that banded paper has the potential to cause more fires, they may choose a different design.

In addition, the Department of Health is working with fire officials and other interested parties to improve fire data collection across Canada. This data, coupled with the planned analysis of the Ontario fire database, should provide a reliable measure of the impact of the proposed regulations on fires in Canada.

4. Toxicity

The tobacco industry indicated concerns that some methods of reducing the ignition propensity of cigarettes could increase

reproduire un courant d'air particulier ou le positionnement précis d'une cigarette dans une fissure.

La méthode ASTM E2187-02b est un bon indicateur prévisionnel de la capacité d'une cigarette à enflammer un substrat comme un matelas, un meuble ou de la literie. Une cigarette qui est conforme à la norme projetée, à savoir que pas plus de 25 p. 100 des cigarettes ne brûlent sur leur pleine longueur sur dix couches de papier-filtre en utilisant cette méthode, devrait avoir un potentiel d'allumage d'un meuble rembourré, d'un matelas ou de literie bien plus faible dans la plupart des conditions que la majorité des cigarettes actuellement en vente qui brûlent sur leur pleine longueur, même avec 15 couches de papier filtre.

(B) La méthode a une variabilité inhérente élevée

Neuf laboratoires, dont quatre de l'industrie de la cigarette, ont démontré que la méthode du National Institute of Standards and Technology des États-Unis, sur laquelle la méthode de la norme ASTM E2187-02b est fondée, donne des résultats que l'on pouvait répéter et reproduire. Un rapport publié par le National Institute of Standards and Technology en juillet 2003 a confirmé que les résultats obtenus de sa méthode d'essai d'extinction des cigarettes et par la méthode ASTM E2187-02b concordaient.

Un certain degré de variabilité est normal avec les méthodes d'essais scientifiques. Pour ce problème particulier, le ministère de la Santé considère que la variabilité de cette méthode est acceptable pour l'établissement d'une norme sur le potentiel d'allumage des cigarettes.

3. Technologie disponible

Un membre de l'industrie du tabac a indiqué que la technologie des bandes de papier utilisée par un important fabricant américain de cigarettes ne fonctionne pas et il a cité une étude où trois cigarettes différentes ont été mises à l'essai sur trente-quatre tissus. Malheureusement, les détails complets des caractéristiques des tissus, comme la teneur en cellulose ou la méthode de sélection des tissus n'étaient pas communiqués. Ces renseignements sont importants pour comprendre pourquoi la teneur moyenne en ions sodium et en ions potassium des tissus utilisés pour les essais des cigarettes à bandes de papier était presque le double de celle d'un échantillon de 500 tissus choisis au hasard dans une étude antérieure. De même, on ne mentionnait pas certaines caractéristiques des cigarettes comme le type de tabac, la présence ou l'absence d'additifs dans le tabac ou la teneur en citrate du papier. L'étude n'explique pas non plus le choix des caractéristiques des cigarettes, comme les 80 unités CORESTA du papier de base utilisé avec les cigarettes à bandes de papier contre 33 unités pour les cigarettes avec papier ordinaire.

Le ministère de la Santé propose une norme de rendement limitant à 25 p. 100 le nombre de cigarettes brûlant sur leur pleine longueur sur dix couches de papier filtre en utilisant la méthode ASTM E2187-02b. Cette approche donne aux fabricants la liberté du procédé de fabrication ou de la conception technique pour atteindre l'objectif de la norme. Donc si certains pensent que le papier à bandes risque de causer davantage d'incendies, ils peuvent choisir une autre solution.

De plus, le ministère de la Santé travaille avec les autorités en matière d'incendie et d'autres intervenants pour améliorer la compilation des données sur les incendies au Canada. Ces données, en plus de la base des données de l'Ontario devraient fournir une mesure fiable de l'impact du projet de règlement en matière de prévention des incendies au Canada.

4. Toxicité

L'industrie du tabac a fait part de ses préoccupations à l'égard de certaines méthodes de réduction du potentiel d'allumage des

the toxicity of cigarettes because of increased smoke deliveries (see 5, below). The industry also indicated that current toxicological evaluation methods are not adequate and that an appropriate toxicological testing program should be established prior to mandating a standard.

The majority of other stakeholders indicated that they feel it is the responsibility of cigarette manufacturers to ensure that reduced ignition propensity cigarettes are not more toxic than conventional cigarettes. Others suggested that further study is needed or that regulations should include a requirement for testing. One stakeholder felt that information from both a major American cigarette manufacturer and the US Technical Advisory Group for Cigarettes and Little Cigar Fire Safety had already demonstrated that toxicity was not an issue.

The Department of Health has amended the regulatory proposal to include a requirement for manufacturers to perform two short-term in vitro toxicity assays and report the results on an annual basis. The assays would be Health Canada Official Method T-501: *Bacterial Reverse Mutation Assay for Mainstream Tobacco Smoke*, First edition, dated 2004-01-30 and Official Method T-502: *Neutral Red Uptake Assay for Mainstream Tobacco Smoke (Particulate Phase)*, First edition, dated 2004-01-30. Ideally, a battery of tests addressing several toxicological endpoints should be used to monitor changes in smoke toxicity. However, relatively few toxicity tests have been validated and standardized for assessing the toxicity of tobacco smoke.

The purpose of requiring these toxicity tests and subsequent reporting of the results is to gather reliable toxicological data. The Department of Health is also working on a third official method (an in vitro Micronucleus Assay) for future incorporation by reference. The Department of Health anticipates that the data from these few assays will help it assess the potential changes in smoke toxicity.

5. Smoke chemistry

Industry has expressed concern that modifications to cigarettes to reduce ignition propensity could increase the toxic constituents in the smoke. In particular, one cigarette manufacturer indicated that carbon monoxide deliveries would be expected to increase by 10-15 percent. To put this increase in perspective, cigarette smoke contains over 4 000 chemicals, including more than 50 carcinogens. Most of the toxic chemicals in cigarette smoke, including carbon monoxide, benzene, formaldehyde and hydrogen cyanide, are created when tobacco burns. Others, such as nicotine, cadmium, lead and nitrosamines, are found naturally in unburned tobacco but are released as it burns.

The Department of Health is aware of only two published smoke chemistry studies conducted on reportedly reduced ignition propensity cigarettes, both by major American cigarette manufacturers. In the first one, the authors concluded that the paper used in these cigarettes caused only minor changes in chemical smoke composition. The second study concluded that, in comparison with the control cigarette, the modified (reduced ignition propensity) cigarette had similar or decreased deliveries.

Nevertheless, limitations in scientific knowledge at this time make it difficult to confidently assess the impact of any changes in smoke chemistry. The proposed regulations are designed to acquire additional information through the inclusion of new toxicity testing and reporting requirements coupled with the already established emissions reporting.

cigarettes qui pourraient faire augmenter la toxicité à cause d'un dégagement de fumée plus important (voir le point 5, suivant). Selon l'industrie, les méthodes actuelles d'évaluation toxicologique ne sont pas adéquates et un programme d'analyses toxicologiques approprié devrait être adopté avant d'imposer une norme.

La majorité des intervenants ont fait savoir qu'ils sont d'avis que la responsabilité des fabricants de cigarettes est de s'assurer que les cigarettes qui ont un potentiel d'allumage réduit ne sont pas plus toxiques que les autres. Selon certains, il faudrait faire des études plus poussées ou bien la réglementation devrait exiger des analyses. Un autre croit que, d'après les informations d'un grand fabricant américain de cigarettes et du Technical Advisory Group for Cigarettes and Little Cigar Fire Safety des États-Unis, la toxicité n'est pas un enjeu.

Le ministère de la Santé a modifié le projet de règlement pour exiger que les fabricants effectuent deux essais à court terme de toxicité in vitro et communiquent les résultats une fois par an. Il s'agit de la méthode officielle du ministère de la Santé T-501: *Essai de mutation réverse de bactéries sur des condensats de la fumée principale de tabac*, Première édition, en date du 2004-01-30 et de la méthode officielle T-502: *Essai de fixation du colorant rouge neutre pour la fumée principale de tabac*, Première édition, en date du 2004-01-30. L'idéal serait une série d'essais portant sur plusieurs résultats toxicologiques pour surveiller les variations de toxicité de la fumée. Cependant, peu d'analyses de toxicité ont été validées et normalisées pour l'évaluation de la toxicité de la fumée du tabac.

Le but d'exiger des analyses de toxicité et la communication des résultats est d'avoir des données toxicologiques fiables. Le ministère de la Santé travaille également sur une troisième méthode officielle (Essai in vitro du micronoyau) en vue d'une incorporation par renvoi ultérieure. Il prévoit que les données obtenues permettront de mieux évaluer les variations possibles de la toxicité de la fumée.

5. Chimie de la fumée

L'industrie a fait savoir qu'elle craignait qu'en apportant des modifications aux cigarettes pour réduire le potentiel d'allumage, il pourrait y avoir augmentation de la toxicité de la fumée. Un fabricant de cigarettes a même indiqué que le dégagement de monoxyde de carbone pourrait augmenter de 10-15 p. 100. Pour bien comprendre l'incidence de cette augmentation, il faut préciser que la fumée de cigarette contient plus de 4 000 produits chimiques, dont plus de 50 sont cancérigènes. La plupart de ces constituants toxiques de la fumée, dont le monoxyde de carbone, le benzène, le formaldéhyde et l'acide cyanhydrique sont formés pendant la combustion du tabac. D'autres, comme la nicotine, le cadmium, le plomb et les nitrosamines, sont des constituants naturels du tabac qui sont libérés lors de la combustion.

Le ministère de la Santé ne connaît que deux études qui ont été publiées sur la chimie de la fumée de cigarettes dites à potentiel d'allumage réduit et elles ont été faites par deux grands fabricants américains. Selon la première, le papier utilisé pour ces cigarettes n'avait causé que des modifications mineures à la composition chimique de la fumée. La deuxième étude a conclu que, par rapport à la cigarette témoin, les produits dégagés de la cigarette modifiée (à potentiel d'allumage réduit) étaient similaires ou réduits.

Néanmoins, en raison de l'insuffisance actuelle de données scientifiques, il est difficile d'évaluer avec certitude l'incidence des modifications chimiques de la fumée. Le projet de règlement a pour but d'obtenir des informations supplémentaires en imposant de nouvelles analyses et de nouveaux rapports de toxicité à l'appui des rapports déjà exigés pour les émissions.

6. Consumer acceptability

The issue of consumer acceptability was brought up exclusively by members of the tobacco industry. The Department of Health believes that these types of studies are best left to the tobacco industry.

7. Other tobacco products

The proposed regulations only address manufactured cigarettes, which constitute about 85 percent of the tobacco product market in Canada. The majority of stakeholders have indicated support for this approach, though for different reasons. Industry stakeholders cited technical and methodological barriers while other stakeholders based their reasoning on the flammability risks and lower popularity of these other tobacco products.

Only one stakeholder, a tobacco industry member, indicated opposition to this approach. This stakeholder feels that people who do not accept reduced ignition propensity cigarettes may move to other tobacco products such as tobacco sticks or fine-cut tobacco (roll-your-own). This stakeholder reasons that, since people in lower socio-economic groups are most likely to use these other products, reduced ignition propensity regulations "would only exacerbate the vulnerability of this group."

The Department of Health is unsure how this conclusion has been reached. Firstly, these other products are not likely to have ignition propensities higher than those of conventional cigarettes. Thus, vulnerability is not likely to be increased. Rather, it is the opinion of many fire and flammability experts that the hand-rolled fine-cut tobacco products are already less of a fire hazard than current manufactured cigarettes. Secondly, this conclusion is based on the assumption that only those from lower socio-economic groups will reject reduced ignition propensity cigarettes to the point of seeking alternative products.

The Department of Health believes that the proposed Regulations will reduce the number of fires started by manufactured cigarettes and that its approach is reasonable given that manufactured cigarettes constitute about 85 percent of the tobacco product market. Further, the Department of Health has begun, but not yet completed, the necessary research on other tobacco products and may propose ignition propensity standards for these products at a later date. In the meantime, the Department of Health believes that if people do switch to alternate tobacco products their risk of fire will not increase beyond that posed by current manufactured cigarettes.

8. Illegal tobacco products

The tobacco industry also raised the concern that if consumers do not accept reduced ignition propensity cigarettes they will turn to illegal distribution methods to find non-reduced ignition propensity cigarettes. The Department of Health will continue to monitor the marketplace and to take appropriate action where illegal activities are observed.

9. Coal drop-off

Concern has been expressed by some tobacco industry members about the possibility of an increase in a phenomenon called "coal drop-off," where the lit coal at the tip of the cigarette falls off. If this happens, the burning coal could potentially leave a burn mark where it lands, whether on clothing, furniture or exposed skin.

The Canadian tobacco industry has not presented the Department of Health with any data to support its assertion that banded paper causes increased coal drop-off. The only information provided thus far are some pages from the preliminary proposed

6. Acceptabilité pour les consommateurs

Cette question a été soulevée exclusivement par les membres de l'industrie du tabac. Le ministère de la Santé pense qu'il vaut mieux laisser ce type d'étude à l'industrie.

7. Autres produits du tabac

Le projet de règlement ne concerne que les cigarettes commerciales, qui représentent 85 p. 100 du marché canadien des produits du tabac. La plupart des intervenants ont fait savoir qu'ils favoriseraient cette approche, quoique pour des raisons différentes. Les industriels ont évoqué des barrières techniques et méthodologiques alors que d'autres évoquaient les risques liés au risque d'allumage et la baisse de popularité des autres produits du tabac.

Un seul intervenant, membre de l'industrie du tabac, a manifesté son opposition à cette approche. Il pense que les consommateurs qui n'accepteront pas les cigarettes à potentiel d'allumage réduit pourraient se tourner vers d'autres produits comme les bâtonnets de tabac ou le tabac coupe fine (à rouler). Il justifie son raisonnement par le fait que comme c'est la clientèle de niveau socio-économique faible qui est plus portée à utiliser ces produits, une réglementation réduisant le potentiel d'allumage ne ferait « qu'accentuer la vulnérabilité de ce groupe ».

Le ministère de la Santé ne sait pas très bien comment on en est arrivé à cette conclusion. D'abord, il est fort probable que ces autres produits n'aient pas un potentiel d'allumage supérieur à celui des cigarettes ordinaires. La vulnérabilité ne devrait donc pas s'accroître. En fait, c'est plutôt l'opinion de nombreux experts en inflammabilité et en incendie que le tabac à rouler constitue un risque d'incendie moins élevé que les cigarettes ordinaires. Deuxièmement, cette conclusion se fonde sur l'hypothèse que seuls les groupes socioéconomiques faibles abandonneront les cigarettes à potentiel d'allumage réduit pour se tourner vers d'autres produits.

Le ministère de la Santé pense que le projet de règlement entraînera une réduction du nombre d'incendies attribuables à des cigarettes commerciales, ce qui est raisonnable étant donné qu'elles constituent environ 85 p. 100 du marché des produits du tabac. De plus, le Ministère effectue des recherches sur les autres produits du tabac et pourrait éventuellement proposer des normes de potentiel d'allumage pour ces produits. En attendant, il est d'avis que si les consommateurs se tournent vers d'autres produits, les risques d'incendie ne seront pas supérieures à ceux qui sont attribuables aux cigarettes commerciales actuelles.

8. Produits du tabac illégaux

L'industrie du tabac a aussi fait remarquer que si les consommateurs n'acceptent pas les cigarettes à potentiel d'allumage réduit, ils se fourniront sur le marché parallèle. Le ministère de la Santé continuera à exercer une vigilance et prendra les mesures appropriées si des activités illégales surgissent.

9. Chutes des charbons

Certains membres de l'industrie du tabac s'inquiètent d'une possibilité d'augmentation des chutes de charbons. Si cela se produit, la braise pourrait laisser une trace de brûlure sur la surface où elle tombe, que ce soit un vêtement, un meuble ou la peau.

L'industrie canadienne du tabac n'a pas fourni au ministère de la Santé des données montrant que le papier à bandes cause une augmentation de la chute des charbons. Les seuls renseignements qui ont été communiqués jusqu'ici sont quelques pages de

findings of fact from an ongoing court case in the United States. However, the documents do not contain any data to support either side of the debate on this issue and, as yet, the U.S. courts have not ruled on the case. For this reason, it is difficult for the Department of Health to use this information to make an informed decision.

However, a 1988 paper by researchers from British American Tobacco (U.K. & Export) Ltd. entitled *The Influence of Cigarette Design on Coal Retention* concluded that paper permeability had no influence on coal retention (within the range tested). Instead, the researchers found that tobacco characteristics had the largest influence on coal retention and, in particular, that an increase in expanded tobacco content above 40 percent increases coal retention. Interestingly, increases in expanded tobacco content are expected to reduce cigarette ignition propensity. The majority of Canadian cigarettes currently have expanded tobacco contents below 22 percent.

From this information, the Department of Health can only conclude that no evidence exists to confirm that meeting the proposed cigarette ignition propensity standard would necessarily result in increased coal drop-off.

Compliance and enforcement

Compliance monitoring and enforcement will be undertaken by the Department of Health under the authority of the *Tobacco Act*.

1. The ignition propensity standard

Section 5 of the *Tobacco Act* (the Act) stipulates that no person shall manufacture a tobacco product that does not conform with the standards established by regulations. In accordance with section 43 of the Act, every person who contravenes section 5 is liable, on summary conviction, to a fine not exceeding \$100,000 or to imprisonment for a term not exceeding one year, or both; and on conviction on indictment, to a fine not exceeding \$300,000 or to imprisonment for a term not exceeding two years, or to both.

Compliance with the ignition propensity standard set out in the proposed Regulations would be monitored through sampling of cigarettes and subsequent analysis. Sampling would commence after October 1, 2005, and would target all cigarettes manufactured or imported into Canada.

2. Reports on toxicity testing

Section 6 of the Act requires every manufacturer and importer of a tobacco product to provide to the Minister of Health, in the prescribed manner and within the prescribed time, information about the product and its emissions, as required by regulations. Pursuant to section 44 of the Act, a manufacturer or importer who contravenes section 6 is liable on summary conviction to a fine not exceeding \$50,000 or to imprisonment for a term not exceeding six months, or to both.

Compliance with the reporting requirement will be monitored through review of the reports received. Inspections will be undertaken at the manufacturing/importing level to verify the accuracy and completeness of the information provided.

Contact

Ms. Christine Belle-Isle, Acting Manager, Regulations Division, Office of Regulations and Compliance, Tobacco Control Programme, Healthy Environments and Consumer Safety Branch, Health Canada, Address Locator 3507C1, 123 Slater Street,

constatations préliminaires sur un cas en cours de jugement aux États-Unis. Toutefois, les documents ne contiennent pas de données probantes dans un sens ou dans l'autre et la justice américaine ne s'est pas encore prononcée. Il est donc difficile pour le ministère de la Santé de prendre une décision éclairée sur la base de ces renseignements.

Toutefois, dans un rapport de 1988 intitulé *The Influence of Cigarette Design on Coal Retention*, des chercheurs de la British American Tobacco (U.K. & Export) Ltd. ont conclu que la perméabilité du papier n'avait aucune influence sur le maintien en place du bout allumé (dans les limites de l'analyse). Mais ils ont constaté que c'était les caractéristiques du tabac qui avaient la plus grande influence sur le maintien en place du bout allumé et, en particulier, qu'une augmentation de la teneur en tabac expansé supérieure à 40 p. 100 augmentait le maintien en place du bout allumé. Point intéressant, l'augmentation de la teneur en tabac expansé devrait réduire le potentiel d'allumage des cigarettes. À l'heure actuelle, la majorité des cigarettes canadiennes ont une teneur en tabac expansé inférieure à 22 p. 100.

À partir de ces renseignements, le ministère de la Santé ne peut que conclure qu'il n'existe aucune preuve permettant de confirmer que la norme proposée sur le potentiel d'allumage des cigarettes entraînerait automatiquement une augmentation des chutes de charbons.

Respect et exécution

L'exécution des règlements sera effectuée par le ministère de la Santé en vertu de la *Loi sur le tabac*.

1. Norme sur la réduction du potentiel d'allumage

L'article 5 de la *Loi sur le tabac* (la Loi) stipule qu'il est interdit de fabriquer un produit du tabac qui n'est pas conforme aux normes établies par règlement. En vertu de l'article 43 de la Loi, quiconque contrevient à l'article 5 est passible, par procédure sommaire, d'une amende maximale de 100 000 \$ et d'un emprisonnement maximal d'un an, ou de l'une de ces peines; et, par mise en accusation, d'une amende maximale de 300 000 \$ et d'un emprisonnement maximal de deux ans, ou de l'une de ces peines.

La conformité à la norme projetée sur le potentiel d'allumage serait vérifiée par l'échantillonnage des cigarettes et leur analyse ultérieure. L'échantillonnage commencerait après le 1^{er} octobre 2005 et viserait toutes les cigarettes commerciales ou importées au Canada.

2. Rapports sur les essais de toxicité

L'article 6 de la Loi stipule que le fabricant et l'importateur d'un produit du tabac est tenu de transmettre au ministre, dans les délais et selon les modalités réglementaires, les renseignements exigés par les règlements en ce qui touche le produit et ses émissions. En vertu de l'article 44 de la Loi, un fabricant ou un importateur qui contrevient à l'article 6 est passible, par procédure sommaire, d'une amende maximale de 50 000 \$ et d'un emprisonnement maximal de six mois, ou de l'une de ces deux peines.

Le respect de l'exigence de soumettre des rapports sera vérifié par l'examen des rapports reçus. Des inspections seront effectuées chez les fabricants et les importateurs pour vérifier si les renseignements fournis sont exacts et complets.

Personne-ressource

Madame Christine Belle-Isle, Gestionnaire intérimaire, Division de la réglementation, Bureau de la réglementation et de la conformité, Programme de la lutte au tabagisme, Direction générale de la santé environnementale et de la sécurité des consommateurs,

Ottawa, Ontario K1A 0K9, (613) 941-1551 (facsimile), pregs@hc-sc.gc.ca (electronic mail).

Santé Canada, Indice d'adresse 3507C1, 123, rue Slater, Ottawa (Ontario) K1A 0K9, (613) 941-1551 (télécopieur), pregs@hc-sc.gc.ca (courriel).

PROPOSED REGULATORY TEXT

Notice is hereby given that the Governor in Council, pursuant to section 7 of the *Tobacco Act*^a, proposes to make the annexed *Cigarette Ignition Propensity Regulations*.

Interested persons may make representations with respect to the proposed Regulations within 75 days after the date of publication of this notice. All such representations must cite the *Canada Gazette*, Part I, and the date of publication of this notice, and be addressed to Christine Belle-Isle, Acting Manager, Regulations Division, Office of Regulations and Compliance, Tobacco Control Programme, Healthy Environments and Consumer Safety Branch, Health Canada, MacDonald Building, Address Locator 3507C1, 123 Slater Street, Ottawa, Ontario K1A 0K9 (fax: (613) 941-1551; e-mail: pregs@hc-sc.gc.ca).

Persons making representations should identify any of those representations the disclosure of which should be refused under the *Access to Information Act*, in particular under sections 19 and 20 of that Act, and should indicate the reasons why and the period during which the representations should not be disclosed. They should also identify any representations for which there is consent to disclosure for the purposes of that Act.

Ottawa, April 21, 2004

EILEEN BOYD
Assistant Clerk of the Privy Council

PROJET DE RÉGLEMENTATION

Avis est donné que la gouverneure en conseil, en vertu de l'article 7 de la *Loi sur le tabac*^a, se propose de prendre le *Règlement sur le potentiel d'allumage des cigarettes*, ci-après.

Les intéressés peuvent présenter leurs observations au sujet du projet de règlement dans les soixante-quinze jours suivant la date de publication du présent avis. Ils sont priés d'y citer la *Gazette du Canada* Partie I, ainsi que la date de publication, et d'envoyer le tout à Christine Belle-Isle, gestionnaire intérimaire, Division de la réglementation, Bureau de la réglementation et de la conformité, programme de la lutte au tabagisme, Direction générale de la santé environnementale et de la sécurité des consommateurs, Santé Canada, immeuble MacDonald, indice d'adresse 3507C1, 123, rue Slater, Ottawa (Ontario) K1A 0K9 (télé. : (613) 941-1551; courriel : pregs@hc-sc.gc.ca).

Ils sont également priés d'indiquer, d'une part, celles de ces observations dont la communication devrait être refusée aux termes de la *Loi sur l'accès à l'information*, notamment des articles 19 et 20, en précisant les motifs et la période de non-communication et, d'autre part, celles dont la communication fait l'objet d'un consentement pour l'application de cette loi.

Ottawa, le 21 avril 2004

La greffière adjointe du Conseil privé,
EILEEN BOYD

CIGARETTE IGNITION PROPENSITY REGULATIONS

INTERPRETATION

Definitions	1. The following definitions apply in these Regulations.
“brand” « <i>marque</i> »	“brand” means all of the brand elements that as a whole are used by a manufacturer to identify to a consumer a tobacco product made by the manufacturer that is a cigarette.
“cigarette” « <i>cigarette</i> »	“cigarette” includes any roll or tubular construction that contains tobacco, has a wrapper or cover made of paper and is consumed through the inhalation of the products of combustion. It does not include a bidi, cigar, kretek or tobacco stick.

APPLICATION

Application	2. Every provision of these Regulations that applies to a brand of cigarettes also applies to every size of that brand.
-------------	--

^a S.C. 1997, c. 13

RÈGLEMENT SUR LE POTENTIEL D'ALLUMAGE DES CIGARETTES

DÉFINITIONS

Definitions	1. Les définitions qui suivent s'appliquent au présent règlement.	Définitions
« cigarette »	S'entend, à l'exclusion des cigares, des bâtonnets de tabac, des bidis ou des kreteks, de tout rouleau ou article de forme tubulaire qui contient du tabac, dont l'enveloppe est faite de papier et qui se consomme par inhalation des produits de combustion.	« cigarette » “ <i>cigarette</i> ”
« marque »	Les éléments de marque qui, dans leur ensemble, sont utilisés par un fabricant pour identifier auprès du consommateur ceux de ses produits de tabac qui sont des cigarettes.	« marque » “ <i>brand</i> ”

APPLICATION

Application	2. Toute disposition du présent règlement qui s'applique à la marque de cigarettes s'applique aussi à tout format de cette marque.	Application
-------------	---	-------------

^a L.C. 1997, ch. 13

IGNITION PROPENSITY STANDARD

Standard

3. Every cigarette manufacturer shall ensure that all brands of cigarettes that it manufactures on or after October 1, 2005 burn their full length no more than 25 percent of the time when tested on 10 layers of filter paper using ASTM International method E2187 — 02b, dated December 10, 2002 and entitled *Standard Test Method for Measuring the Ignition Strength of Cigarettes*.

COMING INTO FORCE

Coming into force

4. These Regulations come into force on the day on which they are registered.

[18-1-o]

NORME SUR LE POTENTIEL D'ALLUMAGE

3. À compter du 1^{er} octobre 2005, tout fabricant de cigarettes doit s'assurer que toutes les marques de cigarettes qu'il fabrique se consomment entièrement dans au plus 25 p. 100 des essais effectués sur 10 couches de papier filtre selon la méthode E2187 — 02b de l'ASTM International intitulée *Standard Test Method for Measuring the Ignition Strength of Cigarettes*, dans sa version du 10 décembre 2002.

ENTRÉE EN VIGUEUR

4. Le présent règlement entre en vigueur à la date de son enregistrement.

[18-1-o]

Regulations Amending the Tobacco Reporting Regulations

Statutory Authority

Tobacco Act

Sponsoring Department

Department of Health

REGULATORY IMPACT ANALYSIS STATEMENT

For the Regulatory Impact Analysis Statement, see page 1386.

Règlement modifiant le Règlement sur les rapports relatifs au tabac

Fondement législatif

Loi sur le tabac

Ministère responsable

Ministère de la Santé

RÉSUMÉ DE L'ÉTUDE D'IMPACT DE LA RÉGLEMENTATION

Pour le résumé de l'étude d'impact de la réglementation, voir la page 1386.

PROPOSED REGULATORY TEXT

Notice is hereby given that the Governor in Council, pursuant to section 7 of the *Tobacco Act*^a, proposes to make the annexed *Regulations Amending the Tobacco Reporting Regulations*.

Interested persons may make representations with respect to the proposed Regulations within 75 days after the date of publication of this notice. All such representations must cite the *Canada Gazette*, Part I, and the date of publication of this notice, and be addressed to Christine Belle-Isle, Acting Manager, Regulations Division, Office of Regulations and Compliance, Tobacco Control Programme, Healthy Environments and Consumer Safety Branch, Health Canada, MacDonald Building, Address Locator 3507C1, 123 Slater Street, Ottawa, Ontario K1A 0K9 (fax: (613) 941-1551; e-mail: pregs@hc-sc.gc.ca).

Persons making representations should identify any of those representations the disclosure of which should be refused under the *Access to Information Act*, in particular under sections 19 and 20 of that Act, and should indicate the reasons why and the period during which the representations should not be disclosed. They should also identify any representations for which there is consent to disclosure for the purposes of that Act.

Ottawa, April 21, 2004

EILEEN BOYD
Assistant Clerk of the Privy Council

PROJET DE RÉGLEMENTATION

Avis est donné que la gouverneure en conseil, en vertu de l'article 7 de la *Loi sur le tabac*^a, se propose de prendre le *Règlement modifiant le Règlement sur les rapports relatifs au tabac*, ci-après.

Les intéressés peuvent présenter leurs observations au sujet du projet de règlement dans les soixante-quinze jours suivant la date de publication du présent avis. Ils sont priés d'y citer la *Gazette du Canada* Partie I, ainsi que la date de publication, et d'envoyer le tout à Christine Belle-Isle, gestionnaire intérimaire, Division de la réglementation, Bureau de la réglementation et de la conformité, programme de la lutte au tabagisme, Direction générale de la santé environnementale et de la sécurité des consommateurs, Santé Canada, immeuble MacDonald, indice d'adresse 3507C1, 123, rue Slater, Ottawa (Ontario) K1A 0K9 (télé. : (613) 941-1551; courriel : pregs@hc-sc.gc.ca).

Ils sont également priés d'indiquer, d'une part, celles de ces observations dont la communication devrait être refusée aux termes de la *Loi sur l'accès à l'information*, notamment des articles 19 et 20, en précisant les motifs et la période de non-communication et, d'autre part, celles dont la communication fait l'objet d'un consentement pour l'application de cette loi.

Ottawa, le 21 avril 2004

La greffière adjointe du Conseil privé,
EILEEN BOYD

^a S.C. 1997, c. 13

^a L.C. 1997, ch. 13

REGULATIONS AMENDING THE TOBACCO REPORTING REGULATIONS

RÈGLEMENT MODIFIANT LE RÈGLEMENT SUR LES RAPPORTS RELATIFS AU TABAC

AMENDMENTS

MODIFICATIONS

1. The definition “identical products” in section 1 of the Tobacco Reporting Regulations¹ is replaced by the following:

1. La définition de « produits identiques », à l’article 1 du Règlement sur les rapports relatifs au tabac¹, est remplacée par ce qui suit :

“identical products”
« produits identiques »

“identical products” means tobacco products that
(a) contain identical ingredients;
(b) are manufactured in an identical manner;
(c) have identical dimensions; and
(d) perform in an identical manner under the same conditions.

« produits identiques » Produits du tabac qui, à la fois :
a) contiennent les mêmes ingrédients;
b) sont fabriqués de la même manière;
c) ont un format identique;
d) donnent des résultats identiques dans les mêmes conditions.

« produits identiques »
“identical products”

2. The Regulations are amended by adding the following after section 1:

2. Le même règlement est modifié par adjonction, après l’article 1, de ce qui suit :

APPLICATION

APPLICATION

1.1 Every provision of these Regulations that applies to a brand of tobacco product also applies to every size of that brand.

1.1 Toute disposition du présent règlement qui s’applique à la marque de produits du tabac s’applique aussi à tout format de cette marque.

3. Subsection 4(2) of the Regulations is repealed.

3. Le paragraphe 4(2) du même règlement est abrogé.

4. The Regulations are amended by adding the following after section 14:

4. Le même règlement est modifié par adjonction, après l’article 14, de ce qui suit :

PART 3.1

PARTIE 3.1

TOXICITY OF CIGARETTE EMISSIONS

TOXICITÉ DES ÉMISSIONS DES CIGARETTES

Interpretation

Définitions

Definitions
“cigarette”
« cigarette »

14.1 The following definitions apply in this Part.
“cigarette” includes any roll or tubular construction that contains tobacco, has a wrapper or cover made of paper and is consumed through the inhalation of the products of combustion. It does not include a bidi, cigar, kretek or tobacco stick.

14.1 Les définitions qui suivent s’appliquent à la présente partie.
« cigarette » À l’exclusion des cigares, des bâtonnets de tabac, des bidis ou des kreteks, est assimilé à une cigarette tout rouleau ou article de forme tubulaire qui contient du tabac, dont l’enveloppe est faite de papier et qui se consomme par inhalation des produits de combustion.

Définitions
« cigarette »
“cigarette”

“identical cigarettes”
« cigarettes identiques »

“identical cigarettes” means cigarettes that
(a) contain identical ingredients;
(b) are manufactured in an identical manner;
(c) have identical dimensions; and
(d) perform in an identical manner under the same conditions.

« cigarettes identiques » Cigarettes qui, à la fois :
a) contiennent les mêmes ingrédients;
b) sont fabriquées de la même manière;
c) ont un format identique;
d) donnent des résultats identiques dans les mêmes conditions.

« cigarettes identiques »
“identical cigarettes”

Toxicity Testing and Report Requirements

Toxicité — exigences en matière d’essais et de rapports

Initial testing

14.2 (1) Every cigarette manufacturer shall perform toxicity testing in accordance with section 14.4 on every brand of cigarettes that it manufactures during the period beginning on the day on which this Part comes into force and ending on September 30, 2005.

14.2 (1) Pour la période commençant à l’entrée en vigueur de la présente partie et se terminant le 30 septembre 2005, les fabricants soumettent à des essais de toxicité, conformément aux méthodes visées à l’article 14.4, chacune des marques de cigarettes fabriquées pendant cette période.

Essai initial

Report

(2) The manufacturer shall submit a report of the test results to the Minister on or before October 31, 2005.

(2) Le fabricant présente au ministre un rapport des résultats des essais au plus tard le 31 octobre 2005.

Rapport des résultats

¹ SOR/2000-273

¹ DORS/2000-273

Presentation of results	<p>(3) The report must include</p> <p>(a) the date of manufacture of the cigarettes of the brand tested, the name of the testing laboratory, the names and numbers of the tests performed, the start and end dates of the tests, the results of the tests and the name of the applicable Department of Health official method used for the tests;</p> <p>(b) if known, an indication of whether the cigarettes of the brand tested burn their full length no more than 25% of the time when tested on 10 layers of filter paper using ASTM International method E2187 — 02b, dated December 10, 2002 and entitled <i>Standard Test Method for Measuring the Ignition Strength of Cigarettes</i>; and</p> <p>(c) a copy of all laboratory reports.</p>	<p>(3) Le rapport comprend notamment :</p> <p>a) la date de fabrication des cigarettes de la marque à l'essai, la date du début et de la fin de chaque essai, le nom du laboratoire d'essai, le nom et le numéro de chaque essai effectué, les résultats des essais et la méthode officielle du ministère de la Santé utilisée;</p> <p>b) une mention indiquant si la marque était conforme ou non à la norme suivante : toutes les cigarettes se consomment entièrement dans au plus 25 % des essais effectués sur 10 couches de papier filtre selon la méthode E2187 — 02b de l'ASTM International intitulée <i>Standard Test Method for Measuring the Ignition Strength of Cigarettes</i>, dans sa version du 10 décembre 2002, si cette donnée est connue;</p> <p>c) un double de tous les rapports de laboratoire.</p>	Résultats
Annual testing	<p>14.3 (1) After September 30, 2005, for every period beginning on October 1 of a year and ending on September 30 of the following year, every cigarette manufacturer shall perform toxicity testing in accordance with section 14.4 on every brand of cigarettes that it manufactured during that period.</p>	<p>14.3 (1) Après le 30 septembre 2005, pour chaque période commençant le 1^{er} octobre d'une année et se terminant le 30 septembre de l'année suivante, les fabricants soumettent à des essais de toxicité, conformément aux méthodes visées à l'article 14.4, chacune des marques de cigarettes qu'ils ont fabriquées pendant cette période.</p>	Essai subséquent
Report	<p>(2) The manufacturer shall submit a report of the test results to the Minister on or before October 31 of the year in which the period covered by the report ends.</p>	<p>(2) Le fabricant présente au ministre un rapport des résultats des essais au plus tard le 31 octobre de l'année visée par les essais.</p>	Rapport des résultats
Presentation of results	<p>(3) The report must include</p> <p>(a) the date of manufacture of the cigarettes of the brand tested, the name of the testing laboratory, the names and numbers of the tests performed, the start and end dates of the tests, the results of the tests and the name of the applicable Department of Health official method used for the tests;</p> <p>(b) a copy of all laboratory reports.</p>	<p>(3) Les résultats comprennent notamment :</p> <p>a) la date de fabrication des cigarettes de la marque à l'essai, la date du début et de la fin de chaque essai, le nom du laboratoire d'essai, le nom et le numéro de chaque essai effectué, les résultats des essais et la méthode officielle du ministère de la Santé utilisée;</p> <p>b) un double de tous les rapports de laboratoire.</p>	Résultats
Method of collecting data	<p>14.4 The toxicity data shall be collected using the following test methodologies:</p> <p>(a) Official Method T-501, entitled <i>Bacterial Reverse Mutation Assay for Mainstream Tobacco Smoke</i>, first edition, made by the Department of Health, dated January 30, 2004; and</p> <p>(b) Official Method T-502, entitled <i>Neutral Red Uptake Assay for Mainstream Tobacco Smoke</i>, first edition, made by the Department of Health, dated January 30, 2004.</p>	<p>14.4 Les données toxicologiques doivent être recueillies selon les méthodes suivantes :</p> <p>a) la méthode officielle T-501 du ministère de la Santé, intitulée <i>Essai de mutation réverse de bactéries sur des condensats de la fumée principale de tabac</i>, 1^{re} édition, dans sa version du 30 janvier 2004;</p> <p>b) la méthode officielle T-502 du ministère de la Santé intitulée <i>Essai de fixation du colorant rouge neutre pour la fumée principale de tabac</i>, 1^{re} édition, dans sa version du 30 janvier 2004.</p>	Méthode de collecte des données
Sampling	<p>14.5 The sampling of cigarettes for the toxicity testing shall be performed in accordance with the procedures described in items A and B of Table 1 of the International Organization for Standardization standard ISO 8243, second edition, dated October 15, 1991 and entitled <i>Cigarettes — Sampling</i>.</p>	<p>14.5 L'échantillonnage des cigarettes pour l'essai de toxicité doit être exécuté conformément aux méthodes prévues aux articles A et B du tableau 1 de la norme ISO 8243 de l'Organisation internationale de normalisation, intitulée <i>Cigarettes — Échantillonnage</i>, 2^e édition, dans sa version du 15 octobre 1991.</p>	Échantillonnage
Conditioning	<p>14.6 The cigarettes to be used in the toxicity testing shall be conditioned in an environment as described in the International Organization for Standardization standard ISO 3402, fourth edition, dated December 15, 1999 and entitled <i>Tobacco and Tobacco Products — Atmosphere for Conditioning and Testing</i>.</p>	<p>14.6 Le conditionnement des cigarettes avant l'essai de toxicité doit être exécuté conformément à la norme ISO 3402 de l'Organisation internationale de normalisation, intitulée <i>Tabac et produits du tabac — Atmosphère de conditionnement et d'essai</i>, 4^e édition, dans sa version du 15 décembre 1999.</p>	Conditionnement

Exception —
identical
cigarettes

14.7 A manufacturer is not required to perform the testing and submit the report referred to in section 14.2 or 14.3 in respect of a brand of cigarettes if

- (a) the manufacturer sells identical cigarettes under several different brands;
- (b) a report is submitted under that section in respect of one of those brands of identical cigarettes that is specified in the report as being the “reference brand”; and
- (c) the report that is submitted in respect of the reference brand specifies the other brands of identical cigarettes that are also covered by the report.

COMING INTO FORCE

Coming into
force

5. (1) These Regulations, except for section 3, come into force on the day on which they are registered.

Coming into
force of s. 3

(2) Section 3 comes into force on the later of June 26, 2004 and the day on which these Regulations are registered.

[18-1-o]

14.7 Le fabricant n’est pas tenu de mener les essais et de présenter les rapports prévus aux articles 14.2 et 14.3 à l’égard d’une marque de cigarette si, à la fois :

- a) il vend des cigarettes identiques sous plusieurs marques différentes;
- b) un rapport a été présenté aux termes des articles 14.2 ou 14.3, selon le cas, à l’égard d’une de ces marques de cigarettes identiques identifiée à titre de marque de référence;
- c) le fabricant indique sur le rapport qu’il présente au sujet de la marque de référence les marques de cigarettes identiques qui sont également visées par ce rapport.

ENTRÉE EN VIGUEUR

Exemption de
rapport —
cigarettes
identiques

5. (1) Le présent règlement, à l’exclusion de l’article 3, entre en vigueur à la date de son enregistrement.

Entrée en
vigueur

(2) L’article 3 entre en vigueur le 26 juin 2004 ou, si elle est postérieure, à la date d’enregistrement du présent règlement.

Entrée en
vigueur de
l’article 3

[18-1-o]

INDEX

Vol. 138, No. 18 — May 1, 2004

(An asterisk indicates a notice previously published.)

COMMISSIONS**Canada Border Services Agency**

Special Import Measures Act

Outdoor barbecues — Decision 1331

Canada Customs and Revenue Agency

Income Tax Act

Revocation of registration of charities 1332

Canadian International Trade Tribunal

Appeal No. AP-2002-097 — Decision of the Tribunal..... 1334

Appeal No. AP-2003-012 — Order 1334

Architect and engineering services — Determination..... 1335

Communication, detection and fibre optics — Inquiry 1336

Nonwoven fusible fabrics — Commencement of investigation 1335

Canadian Radio-television and Telecommunications Commission

*Addresses of CRTC offices — Interventions..... 1336

Decisions

2004-149 to 2004-166..... 1337

Public Notice

2004-26 1340

National Energy Board

TransCanada PipeLines Limited — North Bay Junction — Public hearing..... 1340

Public Service Commission of Canada

Public Service Employment Act

Leave of absence granted 1341

GOVERNMENT HOUSE

Most Venerable Order of the Hospital of St. John of Jerusalem..... 1300

GOVERNMENT NOTICES**Environment, Dept. of the**

Canadian Environmental Protection Act, 1999

Permit No. 4543-2-03332 1304

Permit No. 4543-2-03342 1305

Permit No. 4543-2-03343 1307

Permit No. 4543-2-03344 1308

Permit No. 4543-2-04272 1310

Permit No. 4543-2-06281 1312

Permit No. 4543-2-06288 1313

Permit No. 4543-2-06289 1315

Finance, Dept. of

Statements

Bank of Canada, balance sheet as at April 14, 2004 1325

Bank of Canada, balance sheet as at April 21, 2004 1327

Industry, Dept. of

Appointments..... 1316

Boards of Trade Act

Chambre de commerce de Denis-Riverin 1317

Chambre de commerce de la Vallée de St-Sauveur 1318

Chambre de commerce de la Vallée-du-Richelieu (La) 1318

Chambre de commerce de Saint-Laurent (La) 1318

Chambre de commerce senior de St-Lin et Laurentides (La)..... 1319

Chipman Chamber of Commerce..... 1319

GOVERNMENT NOTICES**Industry, Dept. of — Continued**

Canada Corporations Act

Application for surrender of charter 1319

Letters patent..... 1320

Special act company..... 1321

Supplementary letters patent 1322

Supplementary letters patent — Name change 1322

Radiocommunication Act

SMSE-008-04 — Amendment of RSS-210 1322

Public Safety and Emergency Preparedness, Dept. of

Criminal Code

Designation as fingerprint examiner 1324

MISCELLANEOUS NOTICES

Alberta Newsprint Company, bridge over Horse Creek, Alta. 1342

Allnorth Consultants Limited, bridge over Jackknife Creek, B.C. 1342

Allnorth Consultants Limited, bridge over an unnamed creek, B.C. 1343

*B2B Trust and LBC Acquisition Co Inc., letters patent of amalgamation 1343

Barrhead, Town of, weir across the Paddle River, Alta. 1351

Canadian National Railway Company, documents deposited 1343

Canadian Race Communications Association, relocation of head office..... 1344

Central Frontenac, The Corporation of the Township of, replacement of the existing timber Stone's Bridge with a new single-span concrete bridge over Stone's Creek, Ont. 1345

CORPORATION DU CONGRÈS INTERNATIONAL DES ARCHIVES 1992, surrender of charter 1344

Étang Ruisseau Bar Ltée (L'), shellfish culture site in the Bay of Shippagan, N.B. 1347

Export Development Canada, document deposited 1347

Fisheries and Oceans, Department of, 40-metre extension to the existing breakwater and modifications to the navigational aids system at Sainte-Thérèse-de-Gaspé Harbour, Que..... 1346

Fondation Salaberry, relocation of head office 1347

Foothills Number 31, The Municipal District of, bridge over Mosquito Creek, Alta. 1350

*HSBC Bank Canada and Intesa Bank Canada, application for letters patent of amalgamation..... 1348

*HSBC Bank USA, change of name 1348

Investors Group Trust Co. Ltd., letters patent of continuance 1348

Kimberly-Lloyd Developments Ltd., bridge over McIntosh Run, N.S. 1348

*Lake Erie and Detroit River Railway Company (The), annual general meeting 1349

London, The Corporation of the City of, bridge to be twinned with the existing bridge over the South Thames River, Ont. 1345

Milton, Town of, replacement of Bailey Bridge over East Sixteen Mile Creek, Ont. 1351

Mountain View County, bridge over the Little Red Deer River, Alta. 1350

Ontario, Ministry of Transportation of, replacement of the existing Beaver River Bridge structure over the Beaver River, Ont. 1349

Riverview, Town of, existing floating dock in Petitcodiac River, N.B. 1352

MISCELLANEOUS NOTICES — Continued

Simcoe, County of, replacement of Sidy Bridge over the Noisy River, Ont.	1346
Sons of Scotland Benevolent Association and Workers Benevolent Association of Canada, transfer and assumption agreement.....	1352
Voisey's Bay Nickel Company Limited, tailings and mineralized mine rock storage facility in Headwater Pond, N.L.	1353

PARLIAMENT**Chief Electoral Officer**

Canada Elections Act	
Amendments to Schedule 2 to the Canada Elections Act.....	1329
Consolidation of amendments to the Canada Elections Act, correction and reprinting of forms and instructions affected by the amendments.....	1330

House of Commons

*Filing applications for private bills (3rd Session, 37th Parliament).....	1329
---	------

Senate

Royal Assent	
Bills assented to	1329

PROPOSED REGULATIONS**Finance, Dept. of**

Bank Act	
Bank Holding Company Proposal Regulations.....	1355

Health, Dept. of

Hazardous Products Act	
Cribs and Cradles Regulations	1363
Order Amending Schedule I to the Hazardous Products Act (Cribs and Cradles).....	1384
Tobacco Act	
Cigarette Ignition Propensity Regulations	1386
Regulations Amending the Tobacco Reporting Regulations.....	1404

SUPPLEMENTS**Copyright Board**

Statement of Proposed Royalties to Be Collected by CMRRA/SODRAC Inc. for the Reproduction of Musical Works, in Canada, for the Years 2005 to 2007	
Statement of Proposed Royalties to Be Collected by SOCAN for the Communication to the Public by Telecommunication, in Canada, of Musical or Dramatico-musical Works for the Year 2005	
Statement of Proposed Royalties to Be Collected by SOCAN for the Public Performance or the Communication to the Public by Telecommunication, in Canada, of Musical or Dramatico-Musical Works	
Statement of Proposed Royalties to Be Collected by SODRAC and SODRAC 2003 inc. for the Reproduction of Musical Works, in Canada, in the Years 2005 to 2008	

INDEX

Vol. 138, n° 18 — Le 1^{er} mai 2004

(L'astérisque indique un avis déjà publié.)

AVIS DIVERS

Alberta Newsprint Company, pont au-dessus du ruisseau Horse (Alb.)	1342
Allnorth Consultants Limited, pont au-dessus du ruisseau Jackknife (C.-B.)	1342
Allnorth Consultants Limited, pont au-dessus d'un ruisseau non désigné (C.-B.)	1343
Association Bénévole des Fils de l'Écosse (L') et L'Association de Secours Mutuels des Travailleurs du Canada, convention de cession et de prise en charge	1352
*B2B Trust et Société d'acquisition BLC inc., lettres patentes de fusion	1343
*Banque HSBC Canada et Banque Intesa Canada, demande de lettres patentes de fusion	1348
Barrhead, Town of, déversoir traversant la rivière Paddle (Alb.)	1351
Canadian National Railway Company, dépôts de documents	1343
Canadian Race Communications Association, changement de lieu du siège social	1344
Central Frontenac, The Corporation of the Township of, remplacement du pont Stone's actuel en bois d'œuvre par un nouveau pont en béton à travée unique au-dessus du ruisseau Stone's (Ont.)	1345
Compagnie de Fiducie du Groupe Investors Ltée (La), lettres patentes de prorogation	1348
CORPORATION DU CONGRÈS INTERNATIONAL	
DES ARCHIVES 1992, abandon de charte	1344
Étang Ruisseau Bar Ltée (L'), installation de conchyliculture dans la baie de Shippagan (N.-B.)	1347
Export Development Canada, dépôt de document	1347
Fondation Salaberry, changement de lieu du siège social	1347
Foothills Number 31, The Municipal District of, pont au-dessus du ruisseau Mosquito (Alb.)	1350
*HSBC Bank USA, changement de dénomination sociale	1348
Kimberly-Lloyd Developments Ltd., pont au-dessus des rapides McIntosh (N.-É.)	1348
*Lake Erie and Detroit River Railway Company (The), assemblée générale annuelle	1349
London, The Corporation of the City of, pont jumelé au pont actuel au-dessus de la rivière Thames sud (Ont.)	1345
Milton, ville de, remplacement du pont Bailey au-dessus du ruisseau East Sixteen Mile (Ont.)	1351
Mountain View County, pont au-dessus de la rivière Little Red Deer (Alb.)	1350
Ontario, ministère des Transports de l', réfection du pont Beaver River au-dessus de la rivière Beaver (Ont.)	1349
Pêches et des Océans, ministère des, extension de 40 mètres du brise-lames actuel et modifications apportées au système d'aides à la navigation du havre de Sainte-Thérèse-de-Gaspé (Qué.)	1346
Riverview, Town of, quai flottant en place dans la rivière Petitcodiac (N.-B.)	1352
Simcoe, County of, remplacement du pont Sidy au-dessus de la rivière Noisy (Ont.)	1346
Voisey's Bay Nickel Company Limited, aire de stockage des résidus et des stériles minéralisés dans le bassin Headwater (T.-N.-L.)	1353

AVIS DU GOUVERNEMENT

Environnement, min. de l'

Loi canadienne sur la protection de l'environnement (1999)	
Permis n° 4543-2-03332	1304
Permis n° 4543-2-03342	1305
Permis n° 4543-2-03343	1307
Permis n° 4543-2-03344	1308
Permis n° 4543-2-04272	1310
Permis n° 4543-2-06281	1312
Permis n° 4543-2-06288	1313
Permis n° 4543-2-06289	1315

Finances, min. des

Bilans	
Banque du Canada, bilan au 14 avril 2004	1326
Banque du Canada, bilan au 21 avril 2004	1328

Industrie, min. de l'

Nominations	1316
Loi sur la radiocommunication	
SMSE-008-04 — Modification du CNR-210	1322
Loi sur les chambres de commerce	
Chambre de commerce de Denis-Riverin	1317
Chambre de commerce de la Vallée de St-Sauveur	1318
Chambre de commerce de la Vallée-du-Richelieu (La)	1318
Chambre de commerce de Saint-Laurent (La)	1318
Chambre de commerce senior de St-Lin et Laurentides (La)	1319
Chipman Chamber of Commerce	1319
Loi sur les corporations canadiennes	
Demande d'abandon de charte	1319
Lettres patentes	1320
Lettres patentes supplémentaires	1322
Lettres patentes supplémentaires — Changement de nom	1322
Loi spéciale	1321

Sécurité publique et de la Protection civile, min. de la

Code criminel	
Désignation à titre d'inspecteur d'empreintes digitales	1324

COMMISSIONS

Agence des douanes et du revenu du Canada

Loi de l'impôt sur le revenu	
Annulation d'enregistrement d'organismes de bienfaisance	1332

Agence des services frontaliers du Canada

Loi sur les mesures spéciales d'importation	
Barbecues pour l'extérieur — Décision	1331

Commission de la fonction publique du Canada

Loi sur l'emploi dans la fonction publique	
Congé accordé	1341

Conseil de la radiodiffusion et des télécommunications canadiennes

*Adresses des bureaux du CRTC — Interventions	1336
Avis public	
2004-26	1340
Décisions	
2004-149 à 2004-166	1337

Office national de l'énergie

TransCanada PipeLines Limited — Jonction North Bay — Audience publique	1340
--	------

Tribunal canadien du commerce extérieur

Appel n° AP-2002-097 — Décision du Tribunal	1334
Appel n° AP-2003-012 — Ordonnance	1334
Communication, détection et fibres optiques — Enquête	1336
Étoffes thermofusibles non tissées — Ouverture d'enquête	1335
Services d'architecture et d'ingénierie — Décision	1335

PARLEMENT**Chambre des communes**

- *Demandes introductives de projets de loi privés
(3^e session, 37^e législature)..... 1329

Directeur général des élections

Loi électorale du Canada

- Codifications des modifications apportées à la Loi
électorale du Canada, correction et réimpression des
formulaires et instructions touchés par les
modifications..... 1330
- Modifications à l'annexe 2 de la Loi électorale du
Canada..... 1329

Sénat

Sanction royale

- Projets de loi sanctionnés..... 1329

RÈGLEMENTS PROJETÉS**Finances, min. des**

Loi sur les banques

- Règlement sur les propositions de sociétés de portefeuille
bancaires..... 1355

Santé, min. de la

Loi sur le tabac

- Règlement modifiant le Règlement sur les rapports
relatifs au tabac 1404

- Règlement sur le potentiel d'allumage des cigarettes 1386

Loi sur les produits dangereux

- Décret modifiant l'annexe I de la Loi sur les produits
dangereux (lits d'enfant et berceaux) 1384

- Règlement sur les lits d'enfant et berceaux..... 1363

RÉSIDENCE DU GOUVERNEUR GÉNÉRAL

Ordre très vénérable de l'Hôpital de Saint-Jean de

Jérusalem..... 1300

SUPLÉMENTS**Commission du droit d'auteur**

Projet de tarifs des redevances à percevoir par la SOCAN
pour la communication au public par
télécommunication, au Canada, d'œuvres
musicales ou dramatico-musicales pour
l'année 2005

Projet de tarif des redevances à percevoir par la
SODRAC et SODRAC 2003 inc. pour la reproduction
d'œuvres musicales, au Canada, pour les années 2005
à 2008

Projet de tarifs des redevances à percevoir par la
SOCAN pour l'exécution en public ou la
communication au public par télécommunication, au
Canada, d'œuvres musicales ou dramatico-musicales

Projet de tarif des redevances à percevoir par la
CMRRA/SODRAC Inc. pour la reproduction
d'œuvres musicales, au Canada, pour les années 2005
à 2007

Supplement
Canada Gazette, Part I
May 1, 2004



Supplément
Gazette du Canada, Partie I
Le 1^{er} mai 2004

COPYRIGHT BOARD

COMMISSION DU DROIT D'AUTEUR

**Statement of Proposed Royalties to Be
Collected by SOCAN for the Public Performance
or the Communication to the Public by
Telecommunication, in Canada, of Musical or
Dramatico-Musical Works**

**Projet de tarifs des redevances à percevoir
par la SOCAN pour l'exécution en public
ou la communication au public par
télécommunication, au Canada, d'œuvres
musicales ou dramatico-musicales**

Tariffs No. 1.B, 1.C, 2.D, 4.A, 4.B.1, 4.B.3, 8,
9, 12, 13, 15, 16, 19, 22, 23, 24, 25
(2005)

Tarifs n^{os} 1.B, 1.C, 2.D, 4.A, 4.B.1, 4.B.3, 8,
9, 12, 13, 15, 16, 19, 22, 23, 24, 25
(2005)

Tariffs No. 2.B, 3.A, 3.B, 3.C, 5, 7,
10, 11, 14, 18, 20, 21
(2005-2007)

Tarifs n^{os} 2.B, 3.A, 3.B, 3.C, 5, 7,
10, 11, 14, 18, 20, 21
(2005-2007)

Tariff No. 6
(2005-2008)

Tarif n^o 6
(2005-2008)

COPYRIGHT BOARD

FILES: Public Performance of Musical Works 2005, 2006, 2007 and 2008

Statement of Proposed Royalties to Be Collected for the Public Performance or the Communication to the Public by Telecommunication, in Canada, of Musical and Dramatico-Musical Works

In accordance with subsection 67.1(5) and section 70.14 of the *Copyright Act*, the Copyright Board hereby publishes the statement of royalties filed by the Society of Composers, Authors and Music Publishers of Canada (SOCAN) on March 31, 2004, with respect to royalties that it proposes to collect, effective on January 1, 2005, for the public performance or the communication to the public by telecommunication, in Canada, of musical or dramatico-musical works.

In accordance with the provisions of the same subsection and section, the Board hereby gives notice that all prospective users or their representative who wish to object to the statement may file written objections with the Board, at the address indicated below, within 60 days of the publication hereof, that is no later than June 30, 2004.

Ottawa, May 1, 2004

CLAUDE MAJEAU
Secretary General
56 Sparks Street, Suite 800
Ottawa, Ontario
K1A 0C9
(613) 952-8621 (telephone)
(613) 952-8630 (facsimile)
majeau.claude@cb-cda.gc.ca (electronic mail)

COMMISSION DU DROIT D'AUTEUR

DOSSIER : Exécution publique d'œuvres musicales 2005, 2006, 2007 et 2008

Projet de tarifs des redevances à percevoir pour l'exécution en public ou la communication au public par télécommunication, au Canada, d'œuvres musicales ou dramatico-musicales

Conformément au paragraphe 67.1(5) et à l'article 70.14 de la *Loi sur le droit d'auteur*, la Commission du droit d'auteur publie le projet de tarifs que la Société canadienne des auteurs, compositeurs et éditeurs de musique (SOCAN) a déposé auprès d'elle le 31 mars 2004, relativement aux redevances qu'elle propose de percevoir à compter du 1^{er} janvier 2005, pour l'exécution en public ou la communication au public par télécommunication, au Canada, d'œuvres musicales ou dramatico-musicales.

Conformément aux dispositions du même paragraphe et du même article, la Commission donne avis, par les présentes, que tout utilisateur éventuel intéressé, ou son représentant, désirant s'opposer audit projet de tarif doit déposer son opposition auprès de la Commission, par écrit, à l'adresse apparaissant ci-dessous, dans les 60 jours de la présente publication, soit au plus tard le 30 juin 2004.

Ottawa, le 1^{er} mai 2004

Le secrétaire général
CLAUDE MAJEAU
56, rue Sparks, Bureau 800
Ottawa (Ontario)
K1A 0C9
(613) 952-8621 (téléphone)
(613) 952-8630 (télécopieur)
majeau.claude@cb-cda.gc.ca (courrier électronique)

TARIFF OF ROYALTIES TO BE COLLECTED BY THE
SOCIETY OF COMPOSERS, AUTHORS AND MUSIC
PUBLISHERS OF CANADA (SOCAN)

in compensation for the right to perform in public or to communicate to the public by telecommunication, in Canada, musical or dramatico-musical works forming part of its repertoire.

GENERAL PROVISIONS

All amounts payable under these tariffs are exclusive of any federal, provincial or other governmental taxes or levies of any kind.

As used in these tariffs, the terms "licence," "licence to perform" and "licence to communicate to the public by telecommunication" mean a licence to perform in public or to communicate to the public by telecommunication or to authorize the performance in public or the communication to the public by telecommunication, as the context may require.

Except where otherwise specified, fees payable for any licence granted by SOCAN shall be due and payable upon grant of the licence. Any amount not received by the due date shall bear interest from that date until the date the amount is received. Interest shall be calculated daily at a rate equal to one per cent above the Bank Rate effective on the last day of the previous month (as published by the Bank of Canada). Interest shall not compound.

Each licence shall subsist according to the terms set out therein. SOCAN shall have the right at any time to terminate a licence for breach of terms or conditions upon 30 days notice in writing.

Tariff No. 1

RADIO

A. *Commercial Radio*

[NOTE: SOCAN's proposed Tariff 1.A for the period 2003 to 2007 is currently the subject of proceedings before the Copyright Board.]

B. *Non-Commercial Radio other than the Canadian Broadcasting Corporation*

For a licence to perform, at any time and as often as desired in 2005, for private or domestic use, any or all of the works in SOCAN's repertoire by a non-commercial AM or FM radio station other than a station of the Canadian Broadcasting Corporation, the fee payable is 1.9 per cent of the station's gross operating costs in the year covered by the licence.

No later than January 31 of the year covered by the licence, the licensee shall pay the estimated fee owing for that year. The payment shall be accompanied by a report of the station's actual gross operating costs for the previous year. The fee is subject to adjustment when the actual gross operating costs for the year covered by the licence have been determined and reported to SOCAN.

If broadcasting takes place for less than the entire year, an application must be made for a licence by the end of the first month of broadcasting on the form to be supplied by SOCAN and

TARIF DES REDEVANCES QUE LA SOCIÉTÉ
CANADIENNE DES AUTEURS, COMPOSITEURS ET
ÉDITEURS DE MUSIQUE (SOCAN) PEUT PERCEVOIR

en compensation pour l'exécution en public, ou la communication au public par télécommunication, au Canada, d'œuvres musicales ou dramatico-musicales faisant partie de son répertoire.

DISPOSITIONS GÉNÉRALES

Les montants exigibles indiqués dans les présents tarifs ne comprennent ni les taxes fédérales, provinciales ou autres, ni les prélèvements d'autre genre qui pourraient s'appliquer.

Dans les présents tarifs, « licence », « licence permettant l'exécution » et « licence permettant la communication au public par télécommunication » signifient, selon le contexte, une licence d'exécution en public ou de communication au public par télécommunication ou une licence permettant d'autoriser une tierce partie à exécuter en public ou à communiquer au public par télécommunication.

Sauf indication contraire, les redevances relatives à toute licence octroyée par la SOCAN sont dues et payables dès l'octroi de la licence. Toute somme non payée à son échéance porte intérêt à compter de la date à laquelle elle aurait dû être acquittée jusqu'à la date où elle est reçue. L'intérêt est calculé quotidiennement, à un taux de un pour cent au-dessus du taux officiel d'escompte de la Banque du Canada en vigueur le dernier jour du mois précédent (tel qu'il est publié par la Banque du Canada). L'intérêt n'est pas composé.

Chaque licence reste valable en fonction des conditions qui y sont énoncées. La SOCAN peut, en tout temps, mettre fin à toute licence sur préavis écrit de 30 jours pour violation des modalités de la licence.

Tarif n° 1

RADIO

A. *Radio commerciale*

[AVIS : Le Tarif 1.A de la SOCAN pour les années 2003 à 2007 fait maintenant l'objet de procédures devant la Commission du droit d'auteur.]

B. *Radio non commerciale autre que la Société Radio-Canada*

Pour une licence permettant l'exécution en tout temps et aussi souvent que désiré en 2005, à des fins privées ou domestiques, de l'une ou de la totalité des œuvres faisant partie du répertoire de la SOCAN, par une station non commerciale de radiodiffusion MA ou MF autre qu'une station de la Société Radio-Canada, le droit exigible est de 1,9 pour cent des coûts bruts d'exploitation de la station durant l'année visée par la licence.

Au plus tard le 31 janvier de l'année visée par la licence, le titulaire de la licence verse la redevance qu'il estime devoir payer pour l'année en cause. Le paiement est accompagné d'un rapport des coûts bruts réels d'exploitation de la station pour l'année précédente. La redevance est sujette à un rajustement lorsque les coûts bruts réels d'exploitation pour l'année visée par la licence ont été établis et qu'il en a été fait rapport à la SOCAN.

Si la période de radiodiffusion est moindre que l'année entière, une demande de licence doit être présentée à la fin du premier mois de radiodiffusion, sur le formulaire fourni par la SOCAN, et

together with the application form the station shall forward its remittance for the estimated fee payable.

For the purpose of this tariff item, “non-commercial AM or FM radio station” shall include any station which is non-profit or not-for-profit, whether or not any part of its operating expenses is funded by advertising revenues.

SOCAN shall have the right to audit the licensee’s books and records, on reasonable notice and during normal business hours, to verify the statements rendered and the fee payable by the licensee.

Tariff 1.B does not apply to the use of music covered under Tariff 22 or the Pay Audio Services Tariff.

C. Canadian Broadcasting Corporation

For a licence to perform, at any time and as often as desired, in 2005, for private and domestic use, any or all of the works in SOCAN’s repertoire by means of the radio network and stations owned and operated by Canadian Broadcasting Corporation, the annual fee shall be \$2,500,000 payable in equal monthly instalments on the first day of each month, commencing January 1, 2005.

Tariff 1.C does not apply to the use of music covered under Tariff 22 or the Pay Audio Services tariff.

la station fait parvenir sa demande accompagnée de sa remise pour le droit estimatif payable.

Aux fins du présent tarif, « station non commerciale de radio MA ou MF » comprend toute station sans but lucratif ou exploitée sans but lucratif, qu’une partie de ses coûts d’exploitation provienne ou non de revenus publicitaires.

La SOCAN peut vérifier les livres et registres du titulaire de la licence durant les heures de bureau régulières, moyennant un préavis raisonnable, afin de confirmer les rapports soumis par le titulaire de la licence et la redevance exigible de ce dernier.

L’usage de musique assujéti au tarif 22 et au tarif pour les services sonores payants n’est pas assujéti au présent tarif.

C. Société Radio-Canada

Pour une licence permettant l’exécution en tout temps et aussi souvent que désiré en 2005, à des fins privées ou domestiques, de l’une ou de la totalité des œuvres faisant partie du répertoire de la SOCAN sur les ondes radio du réseau et des stations que possède ou exploite la Société Radio-Canada, la redevance annuelle sera de 2 500 000 \$, payable en versements mensuels égaux le premier jour de chaque mois, à compter du 1^{er} janvier 2005.

Le tarif 1.C ne s’applique pas à l’usage de musique assujéti au tarif 22 ou au tarif pour les Services Sonores Payants.

Tariff No. 2

TELEVISION

A. Commercial Stations (Filed Separately)

B. Ontario Educational Communications Authority

For a licence to perform, at any time and as often as desired in the years 2005 to 2007, for private or domestic use, any or all of the works in SOCAN’s repertoire by a station operated by the Ontario Educational Communications Authority, the annual fee is \$300,080, payable in equal quarterly instalments on January 1, April 1, July 1 and October 1 of each year.

Tariff 2.B does not apply to the use of music covered under Tariff 17.

C. Société de télédiffusion du Québec

[NOTE: Tariff 2.C was certified by the Copyright Board for the years 1998 to 2007 in the Supplement to the *Canada Gazette*, Part I, dated March 20, 2004.]

D. Canadian Broadcasting Corporation

For a licence to perform, at any time and as often as desired in 2005, for private or domestic use, any or all of the works in SOCAN’s repertoire for all broadcasts of programs by the television network and stations owned or operated by the Canadian Broadcasting Corporation (“CBC”), the annual fee shall be \$7,700,000 payable in equal monthly instalments on the first day of each month, commencing January 1, 2005.

Tariff 2.D does not apply to the use of music covered under Tariff 17.A or Tariff 22.

Tarif n° 2

TÉLÉVISION

A. Stations commerciales (Déposé à part)

B. Office de la télécommunication éducative de l’Ontario

Pour une licence permettant l’exécution en tout temps et aussi souvent que désiré durant les années 2005 à 2007, à des fins privées ou domestiques, de l’une ou de la totalité des œuvres faisant partie du répertoire de la SOCAN sur les ondes d’une station exploitée par l’Office de la télécommunication éducative de l’Ontario, la redevance annuelle est de 300 080 \$, payable en versements trimestriels égaux le 1^{er} janvier, le 1^{er} avril, le 1^{er} juillet et le 1^{er} octobre de chaque année.

L’usage de musique assujéti au tarif 17 n’est pas assujéti au présent tarif.

C. Société de télédiffusion du Québec

[AVIS : Le Tarif 2.C a été homologué par la Commission du droit d’auteur pour les années 1998 à 2007 dans le Supplément de la *Gazette du Canada*, Partie I, en date du 20 mars 2004.]

D. Société Radio-Canada

Pour une licence à la Société Radio-Canada permettant l’exécution en tout temps et aussi souvent que désiré en 2005, à des fins privées ou domestiques, de l’une ou de la totalité des œuvres faisant partie du répertoire de la SOCAN pour toutes les émissions de la Société Radio-Canada diffusées sur les ondes du réseau et des stations de télévision que possède ou exploite la Société Radio-Canada, la redevance annuelle sera de 7 700 000 \$, payable en versements mensuels égaux le premier jour de chaque mois, à compter du 1^{er} janvier 2005.

L’usage de musique expressément assujéti au tarif 17.A ou au tarif 22 n’est pas assujéti au présent tarif.

Tariff No. 3

CABARETS, CAFES, CLUBS, COCKTAIL BARS, DINING ROOMS, LOUNGES, RESTAURANTS, ROADHOUSES, TAVERNS AND SIMILAR ESTABLISHMENTS

A. *Live Music*

For a licence to perform, by means of performers in person, at any time and as often as desired in the years 2005 to 2007, any or all of the works in SOCAN's repertoire, in cabarets, cafes, clubs, cocktail bars, dining rooms, lounges, restaurants, roadhouses, taverns and similar establishments, the fee payable by the establishment is 3 per cent of the compensation for entertainment paid in the year covered by the licence, subject to a minimum licence fee of \$83.65.

“Compensation for entertainment” means the total amounts paid by the licensee to, plus any other compensation received by, musicians, singers and all other performers, for entertainment of which live music forms part. It does not include expenditures for stage props, lighting equipment, set design and costumes, or expenditures for renovation, expansion of facilities or furniture and equipment.

No later than January 31 of the year covered by the licence, the licensee shall pay to SOCAN the estimated fee owing for that year, as follows. If any music was performed as part of entertainment in the previous year, the payment is based on the compensation paid for entertainment during that year, and accompanied by a report of the actual compensation paid for entertainment during that year. If no music was performed as part of entertainment in that year, the licensee shall file a report estimating the expected compensation for entertainment during the year covered by the licence and pay according to that report.

No later than January 31 of the following year, the licensee shall file with SOCAN a report of the actual compensation paid for entertainment during the previous year and an adjustment of the licence fee is made accordingly. Any monies owed shall then be paid to SOCAN; if the fee due is less than the amount paid, SOCAN shall credit the licensee with the amount of the overpayment.

SOCAN shall have the right to audit the licensee's books and records, on reasonable notice and during normal business hours, to verify the statements rendered and the fee payable by the licensee.

The licensee may request that the examination be made by an independent auditor chosen by the licensee from a list of at least three auditors furnished by SOCAN. In such a case, only the auditor so appointed need be allowed access to the licensee's records. If the audit discloses that the licence fee owed to SOCAN has been understated by more than 10 per cent, the licensee shall pay the auditor's fees.

B. *Recorded Music Accompanying Live Entertainment*

For a licence to perform, by means of recorded music, at any time and as often as desired in the years 2005 to 2007, any or all of the works in SOCAN's repertoire, as an integral part of live entertainment in cabarets, cafes, clubs, cocktail bars, dining rooms, lounges, restaurants, roadhouses, taverns and similar establishments, the fee payable by the establishment is 2 per cent of the compensation for entertainment paid in the year covered by the licence, subject to a minimum licence fee of \$62.74.

Tarif n° 3

CABARETS, CAFÉS, CLUBS, BARS À COCKTAIL, SALLES À MANGER, FOYERS, RESTAURANTS, AUBERGES, TAVERNES ET ÉTABLISSEMENTS DU MÊME GENRE

A. *Exécution en personne*

Pour une licence permettant l'exécution, par des exécutants en personne, en tout temps et aussi souvent que désiré durant les années 2005 à 2007, de l'une ou de la totalité des œuvres faisant partie du répertoire de la SOCAN, dans un cabaret, un café, un club, un bar à cocktail, une salle à manger, un foyer, un restaurant, une auberge, une taverne ou un établissement du même genre, la redevance payable par l'établissement est de 3 pour cent de la compensation pour divertissement versée durant l'année visée par la licence, sous réserve d'une redevance minimale de 83,65 \$.

« Compensation pour divertissement » s'entend des sommes totales payées par le titulaire de la licence aux musiciens, chanteurs ou exécutants, plus toute autre compensation reçue par eux, pour le divertissement dont la musique exécutée en personne fait partie. Ce montant n'inclut pas les sommes payées pour les accessoires de théâtre, le matériel d'éclairage, les décors, les costumes, la rénovation ou l'expansion des installations, l'ameublement ou le matériel.

Au plus tard le 31 janvier de l'année visée par la licence, le titulaire de la licence verse à la SOCAN la redevance qu'il estime devoir payer pour la licence durant cette année, établie de la façon suivante. Si de la musique a été exécutée l'année précédente dans le cadre des activités de divertissement, la redevance est établie à partir de la compensation pour divertissement réellement versée cette année-là; un rapport établissant le montant de cette compensation accompagne le paiement. Si aucune œuvre musicale n'a été exécutée l'année précédente, le titulaire de la licence fournit un rapport estimant la compensation pour divertissement prévue pour chacune des années susmentionnées, et verse la redevance correspondante.

Au plus tard le 31 janvier de l'année suivante, le titulaire de la licence soumet à la SOCAN un rapport établissant la compensation pour divertissement réellement versée l'année précédente et le coût de la licence est ajusté en conséquence. Le paiement de toute somme due accompagne le rapport; si le coût de la licence est inférieur au montant déjà payé, la SOCAN porte le supplément au crédit du titulaire de la licence.

La SOCAN peut vérifier les livres et registres du titulaire de la licence durant les heures de bureau régulières, moyennant un préavis raisonnable, afin de confirmer les rapports soumis par le titulaire de la licence et la redevance exigible de ce dernier.

Le titulaire de la licence peut exiger que la vérification soit effectuée par un vérificateur indépendant choisi à même une liste d'au moins trois noms soumis par la SOCAN. Dans ce cas, le titulaire n'est tenu de donner accès à ses registres qu'au vérificateur ainsi choisi. Si la vérification révèle que la redevance à verser a été sous-estimée de plus de 10 pour cent, le titulaire de la licence défraie les honoraires du vérificateur.

B. *Musique enregistrée accompagnant un spectacle*

Pour une licence permettant l'exécution, au moyen de musique enregistrée, en tout temps et aussi souvent que désiré durant les années 2005 à 2007, de l'une ou de la totalité des œuvres faisant partie du répertoire de la SOCAN, comme partie intégrante du divertissement par des exécutants en personne dans un cabaret, un café, un club, un bar à cocktail, une salle à manger, un foyer, un restaurant, une auberge, une taverne ou un établissement du même genre, la redevance payable par l'établissement est de

“Compensation for entertainment” means the total amounts paid by the licensee to, plus any other compensation received by, all performers, for entertainment of which recorded music forms an integral part. It does not include expenditures for stage props, lighting equipment, set design and costumes, or expenditures for renovation, expansion of facilities or furniture and equipment.

No later than January 31 of the year covered by the licence, the licensee shall pay to SOCAN the estimated fee owing for that year, as follows. If any music was performed as part of entertainment in the previous year, the payment is based on the compensation paid for entertainment during that year, and accompanied by a report of the actual compensation paid for entertainment during that year. If no music was performed as part of entertainment in that year, the licensee shall file a report estimating the expected compensation for entertainment during the year covered by the licence and pay according to that report.

No later than January 31 of the following year, the licensee shall file with SOCAN a report of the actual compensation paid for entertainment during the previous year and an adjustment of the licence fee shall be made accordingly. Any monies owed shall then be paid to SOCAN; if the fee due is less than the amount paid, SOCAN shall credit the licensee with the amount of the overpayment.

SOCAN shall have the right to audit the licensee’s books and records, on reasonable notice and during normal business hours, to verify the statements rendered and the fee payable by the licensee.

The licensee may request that the examination be made by an independent auditor chosen by the licensee from a list of at least three auditors furnished by SOCAN. In such a case, only the auditor so appointed need be allowed access to the licensee’s records. If the audit discloses that the licence fee owed to SOCAN has been understated by more than 10 per cent, the licensee shall pay the auditor’s fees.

Tariff 3.B does not apply to the use of music covered under Tariff 3.C.

C. Adult Entertainment Clubs

For a licence to perform, by means of recorded music, at any time and as often as desired in the years 2005 to 2007, any or all of the works in SOCAN’s repertoire, in an adult entertainment club, the fee payable by the establishment is 4.4¢ per day, multiplied by the capacity (seating and standing) authorized under the establishment’s liquor licence or any other document issued by a competent authority for this type of establishment.

“Day” means any period between 6:00 a.m. on one day and 6:00 a.m. the following day during which the establishment operates as an adult entertainment club.

No later than January 31 of the year covered by the licence, the licensee shall file a report estimating the amount of royalties and send to SOCAN the report and the estimated fee.

No later than January 31 of the following year, the licensee shall file with SOCAN a report indicating the authorized capacity (seating and standing) of the establishment, as well as the number

2 pour cent de la compensation pour divertissement versée durant l’année visée par la licence, sous réserve d’une redevance minimale de 62,74 \$.

« Compensation pour divertissement » s’entend des sommes totales payées par le titulaire de la licence aux exécutants, plus toute autre compensation reçue par eux, pour le divertissement dont la musique enregistrée fait partie intégrante. Ce montant n’inclut pas les sommes payées pour les accessoires de théâtre, le matériel d’éclairage, les décors, les costumes, la rénovation ou l’expansion des installations, l’ameublement ou le matériel.

Au plus tard le 31 janvier de l’année visée par la licence, le titulaire de la licence verse à la SOCAN la redevance qu’il estime devoir payer pour la licence durant cette année, établie de la façon suivante. Si de la musique a été exécutée l’année précédente dans le cadre des activités de divertissement, la redevance est établie à partir de la compensation pour divertissement réellement versée cette année-là; un rapport établissant le montant de cette compensation accompagne le paiement. Si aucune œuvre musicale n’a été exécutée l’année précédente, le titulaire de la licence fournit un rapport estimant la compensation pour divertissement prévue pour chacune des années susmentionnées, et verse la redevance correspondante.

Au plus tard le 31 janvier de l’année suivante, le titulaire de la licence soumet à la SOCAN un rapport établissant la compensation pour divertissement réellement versée l’année précédente et le coût de la licence est ajusté en conséquence. Le paiement de toute somme due accompagne le rapport; si le coût de la licence est inférieur au montant déjà payé, la SOCAN porte le supplément au crédit du titulaire de la licence.

La SOCAN peut vérifier les livres et registres du titulaire de la licence durant les heures de bureau régulières, moyennant un préavis raisonnable, afin de confirmer les rapports soumis par le titulaire de la licence et la redevance exigible de ce dernier.

Le titulaire de la licence peut exiger que la vérification soit effectuée par un vérificateur indépendant choisi à même une liste d’au moins trois noms soumis par la SOCAN. Dans ce cas, le titulaire n’est tenu de donner accès à ses registres qu’au vérificateur ainsi choisi. Si la vérification révèle que la redevance à verser a été sous-estimée de plus de 10 pour cent, le titulaire de la licence défraie les honoraires du vérificateur.

L’usage de musique assujetti au tarif 3.C n’est pas assujetti au présent tarif.

C. Clubs de divertissement pour adultes

Pour une licence permettant l’exécution, au moyen de musique enregistrée, en tout temps et aussi souvent que désiré durant les années 2005 à 2007, de l’une ou de la totalité des œuvres faisant partie du répertoire de la SOCAN, dans un club de divertissement pour adultes, la redevance exigible est de 4,4 ¢ par jour, multipliée par le nombre de places (debout et assises) autorisé selon le permis d’alcool ou tout autre document émis par les autorités compétentes pour ce genre d’établissement.

« Jour » s’entend d’une période débutant à 6 h du matin une journée et se terminant à 6 h du matin le lendemain, durant laquelle l’établissement est exploité à titre de club de divertissement pour adultes.

Au plus tard le 31 janvier de l’année visée par la licence, le titulaire de la licence soumet à la SOCAN un rapport estimant le montant de la redevance exigible et fait parvenir avec ce rapport la redevance correspondante.

Au plus tard le 31 janvier de l’année suivante, le titulaire de la licence soumet à la SOCAN un rapport indiquant le nombre de places (debout et assises) autorisé de l’établissement ainsi que le

of days it operated as an adult entertainment club during the previous year and an adjustment of the licence fee shall be made accordingly. Any monies owed shall then be paid to SOCAN; if the fee due is less than the amount paid, SOCAN shall credit the licensee with the amount of the overpayment.

SOCAN shall have the right to audit the licensee's books and records, on reasonable notice and during normal business hours, to verify the statements rendered and the fee payable by the licensee.

The licensee may request that the examination be made by an independent auditor chosen by the licensee from a list of at least three auditors furnished by SOCAN. In such a case, only the auditor so appointed need be allowed access to the licensee's records. If the audit discloses that the licence fee owed to SOCAN has been understated by more than 10 per cent, the licensee shall pay the auditor's fees.

nombre de jours de l'année précédente durant lesquels il a été exploité à titre de club de divertissement pour adultes, et le coût de la licence est ajusté en conséquence. Le paiement de toute somme due accompagne le rapport; si le coût de la licence est inférieur au montant déjà payé, la SOCAN porte le supplément au crédit du titulaire de la licence.

La SOCAN peut vérifier les livres et registres du titulaire de la licence durant les heures de bureau régulières, moyennant un préavis raisonnable, afin de confirmer les rapports soumis par le titulaire de la licence et la redevance exigible de ce dernier.

Le titulaire de la licence peut exiger que la vérification soit effectuée par un vérificateur indépendant choisi à même une liste d'au moins trois noms soumis par la SOCAN. Dans ce cas, le titulaire n'est tenu de donner accès à ses registres qu'au vérificateur ainsi choisi. Si la vérification révèle que la redevance à verser a été sous-estimée de plus de 10 pour cent, le titulaire de la licence défraie les honoraires du vérificateur.

Tariff No. 4

LIVE PERFORMANCES AT THEATRES OR OTHER PLACES OF ENTERTAINMENT

A. Popular Music Concerts

1. Per Event Licence

For a licence to perform, at any time and as often as desired in 2005, any or all of the works in SOCAN's repertoire, as live performances by musicians, singers, or both, and other entertainers at theatres or other places where entertainment is presented, including open-air events, the fee payable per concert is as follows:

- (a) 3 per cent of gross receipts from ticket sales of paid concerts, exclusive of sales and amusement taxes, with a minimum fee of \$78.62 per concert; or
- (b) 3 per cent of fees paid to singers, musicians, dancers, conductors, and other performing artists during a free concert, with a minimum fee of \$78.62 per concert.

"Free concert" includes, with respect to festivals, celebrations and other similar events, a concert for which no separate admission charge is made.

SOCAN shall have the right to audit the licensee's books and records, on reasonable notice and during normal business hours, to verify the statements rendered and the fee payable by the licensee.

Tariff 4.A.1 does not apply to performances covered under Tariff 3.A.

2. Annual Licence

For an annual licence to perform, at any time and as often as desired in 2005, any or all of the works in SOCAN's repertoire, as live performances by musicians, singers, or both, and other entertainers at theatres or other places where entertainment is presented, including open-air events, the fee payable is as follows:

- (a) 3 per cent of gross receipts from ticket sales of paid concerts, exclusive of sales and amusement taxes, with a minimum annual fee of \$131.04; or

Tarif n° 4

EXÉCUTIONS PAR DES INTERPRÈTES EN PERSONNE DANS DES SALLES DE CONCERT OU D'AUTRES LIEUX DE DIVERTISSEMENT

A. Concerts de musique populaire

1. Licence pour concerts individuels

Pour une licence permettant l'exécution en tout temps et aussi souvent que désiré en 2005, de l'une ou de la totalité des œuvres faisant partie du répertoire de la SOCAN, par des exécutants en personne, dans des salles de concert ou dans d'autres lieux de divertissement, y compris les spectacles en plein air, la redevance exigible par concert se calcule comme suit :

- a) 3 pour cent des recettes brutes au guichet des concerts payants, à l'exclusion des taxes de vente et d'amusement, sous réserve d'un minimum de 78,62 \$ par concert;
- b) 3 pour cent des cachets versés aux chanteurs, interprètes, musiciens, danseurs, chefs d'orchestre et autres artistes participant à un concert gratuit, sous réserve d'un minimum de 78,62 \$ par concert.

« Concert gratuit » comprend le concert présenté dans le cadre d'une fête, d'un festival ou d'un événement semblable et qui ne fait pas l'objet d'un prix d'entrée supplémentaire.

La SOCAN peut vérifier les livres et registres du titulaire de la licence durant les heures de bureau régulières, moyennant un préavis raisonnable, afin de confirmer les rapports soumis par le titulaire de la licence et la redevance exigible de ce dernier.

L'usage de musique expressément couvert par le tarif 3.A n'est pas assujéti au présent tarif.

2. Licence annuelle

Pour une licence annuelle permettant l'exécution, en tout temps et aussi souvent que désiré en 2005, de l'une ou de la totalité des œuvres faisant partie du répertoire de la SOCAN, par des exécutants en personne, dans des salles de concert ou dans d'autres lieux de divertissement, y compris les spectacles en plein air, la redevance exigible se calcule comme suit :

- a) 3 pour cent des recettes brutes au guichet des concerts payants, à l'exclusion des taxes de vente et d'amusement, sous réserve d'une redevance annuelle minimale de 131,04 \$;

(b) 3 per cent of fees paid to singers, musicians, dancers, conductors, and other performing artists during free concerts, with a minimum annual fee of \$131.04.

“Free concerts” include, with respect to festivals, celebrations and other similar events, concerts for which no separate admission charge is made.

The licensee shall estimate the fee payable for the year for which the licence is issued, based on the total receipts/fees paid for the previous year, and shall pay such estimated fee to SOCAN on or before January 31 of the year for which the licence is issued. Payment of the fee shall be accompanied by a report of the gross receipts/fees paid for the previous year.

If the gross receipts/fees paid reported for the previous year were not based on the entire year, payment of this fee shall be accompanied by a report estimating the gross receipts/fees paid for the entire year for which the licence is issued.

On or before January 31, of the following year, a report shall be made of the actual gross receipts/fees paid during the calendar year for which the licence was issued, an adjustment of the licence fee payable to SOCAN shall be made, and any additional fees due on the basis of the actual gross receipts/fees paid. If the fee due is less than the amount paid, SOCAN shall credit the licensee with the amount of the overpayment.

SOCAN shall have the right to audit the licensee’s books and records, on reasonable notice and during normal business hours, to verify the statements rendered and the fee payable by the licensee.

Tariff 4.A.2 does not apply to performances covered under Tariff 3.A.

B. *Classical Music Concerts*

1. Per Concert Licence

For a licence to perform, at any time and as often as desired in 2005, any or all of the works in SOCAN’s repertoire, as live performances by musicians, singers, or both, at concerts or recitals of classical music, the fee payable per concert is as follows:

- (a) 1.56 per cent of gross receipts from ticket sales of paid concerts, exclusive of sales and amusement taxes, with a minimum fee of \$40.88 per concert; or
- (b) 1.56 per cent of fees paid to singers, musicians, dancers, conductors and other performing artists during a free concert, with a minimum fee of \$40.88 per concert.

“Free concert” includes, with respect to festivals, celebrations and other similar events, a concert for which no separate admission charge is made.

SOCAN shall have the right to audit the licensee’s books and records, on reasonable notice and during normal business hours, to verify the statements rendered and the fee payable by the licensee.

2. Annual Licence for Orchestras

[NOTE: Tariff 4.B.2 was certified by the Copyright Board for the years 2003 to 2007 in the Supplement to the *Canada Gazette*, Part I, dated March 20, 2004.]

b) 3 pour cent des cachets versés aux chanteurs, interprètes, musiciens, danseurs, chefs d’orchestre et autres artistes participant à un concert gratuit, sous réserve d’une redevance annuelle minimale de 131,04 \$.

« Concert gratuit » comprend le concert présenté dans le cadre d’une fête, d’un festival ou d’un événement semblable et qui ne fait pas l’objet d’un prix d’entrée supplémentaire.

Le titulaire de la licence évalue la redevance exigible pour l’année pour laquelle la licence est émise, en fonction des recettes brutes/cachets pour l’année précédente et verse ce montant estimatif à la SOCAN au plus tard le 31 janvier de l’année pour laquelle la licence est émise. Le versement de la redevance payable doit être accompagné du relevé des recettes brutes/cachets pour l’année précédente.

Si les recettes brutes/cachets déclarés pour l’année précédente ne tiennent compte que d’une partie de l’année, le paiement de cette redevance doit être accompagné d’un rapport contenant le montant estimatif des recettes brutes/cachets pour la totalité de l’année pour laquelle la licence est émise.

Au plus tard le 31 janvier de l’année suivante, un rapport des recettes brutes/cachets réels pour l’année civile pour laquelle la licence a été émise est préparé, le montant de la redevance exigible est corrigé et toute redevance additionnelle exigible en vertu du montant réel des recettes brutes/cachets doit être versée à la SOCAN. Si le coût de la licence est inférieur au montant déjà payé, la SOCAN porte le supplément au crédit du titulaire de la licence.

La SOCAN peut vérifier les livres et registres du titulaire de la licence durant les heures de bureau régulières, moyennant un préavis raisonnable, afin de confirmer les rapports soumis par le titulaire de la licence et la redevance exigible de ce dernier.

L’usage de musique expressément assujéti au tarif 3.A n’est pas assujéti au présent tarif.

B. *Concerts de musique classique*

1. Licence pour concerts individuels

Pour une licence permettant l’exécution en tout temps et aussi souvent que désiré en 2005, de l’une ou de la totalité des œuvres faisant partie du répertoire de la SOCAN, par des exécutants en personne, à l’occasion de concerts ou de récitals de musique classique, la redevance exigible par concert se calcule comme suit :

- a) 1,56 pour cent des recettes brutes au guichet des concerts payants, à l’exclusion des taxes de vente et d’amusement, sous réserve d’un minimum de 40,88 \$ pour chaque concert;
- b) 1,56 pour cent des cachets versés aux chanteurs, interprètes, musiciens, danseurs, chefs d’orchestre et autres artistes participant à un concert gratuit, sous réserve d’une redevance minimale de 40,88 \$ par concert.

« Concert gratuit » comprend le concert présenté dans le cadre d’une fête, d’un festival ou d’un événement semblable et qui ne fait pas l’objet d’un prix d’entrée supplémentaire.

La SOCAN peut vérifier les livres et registres du titulaire de la licence durant les heures de bureau régulières, moyennant un préavis raisonnable, afin de confirmer les rapports soumis par le titulaire de la licence et la redevance exigible de ce dernier.

2. Licence annuelle pour orchestres

[AVIS : Le Tarif 4.B.2 a été homologué par la Commission du droit d’auteur pour les années 2003 à 2007 dans le Supplément de la *Gazette du Canada*, Partie 1, en date du 20 mars 2004.]

3. Annual Licence for Presenting Organizations

For an annual licence to perform, at any time and as often as desired in 2005, any or all of the works in SOCAN's repertoire, during a series of concerts or recitals of classical music forming part of an artistic season of a presenting organization, the fee payable is as follows:

0.96 per cent of gross receipts from ticket sales, subscription and membership revenues, for all concerts (including concerts where no work of SOCAN's repertoire is performed), exclusive of sales and amusement taxes, with a minimum annual fee of \$41.93;

Where a series of concerts and recitals forming part of a presenting organization's artistic season is free of charge, the fee payable is as follows:

0.96 per cent of fees paid to singers, musicians, dancers, conductors, and other performing artists, for all concerts (including concerts where no work of SOCAN's repertoire is performed) in the series, with a minimum annual fee of \$41.93;

No later than January 31 of the year for which the licence is issued, the licensee shall file with SOCAN a report estimating the gross receipts from ticket sales, subscription and membership revenues for that year. For a series of free concerts and recitals, the licensee shall file a report estimating the fees paid to singers, musicians, dancers, conductors, and other performing artists for all concerts in the series. If the estimated payment is \$100 or less, payment shall accompany the report. Otherwise, payments based on the report's estimate shall be made quarterly within 30 days of the end of each quarter.

No later than January 31 of the following year, the licensee shall file with SOCAN a report of the actual gross receipts from ticket sales, subscription and membership revenues or, for a series of free concerts and recitals, the fees paid to singers, musicians, dancers, conductors and other performing artists, during the year for which the licence is issued and an adjustment of the licence fee shall be paid to SOCAN. Any amount due shall accompany the report; if the fee due is less than the amount paid, SOCAN shall credit the licensee with the amount of the overpayment.

Where fees are paid under this tariff, no fees shall be payable under Tariff 4.B.1.

SOCAN shall have the right to audit the licensees' books and records, on reasonable notice and during normal business hours, to verify the statements rendered and the fee payable by the licensee.

Tariff No. 5

EXHIBITIONS AND FAIRS

A. For a licence to perform, at any time and as often as desired, any or all of the works in SOCAN's repertoire at an exhibition or fair held in the years 2005 to 2007, the fee is calculated as follows:

(a) Where the total attendance (excluding exhibitors and staff) for the duration of the exhibition or fair does not exceed 75,000 persons:

3. Licence annuelle pour les diffuseurs

Pour une licence annuelle permettant l'exécution en tout temps et aussi souvent que désiré en 2005, de l'une ou de la totalité des œuvres faisant partie du répertoire de la SOCAN, dans le cadre d'une série de concerts ou de récitals de musique classique faisant partie d'une saison artistique offerte par un diffuseur, la redevance payable se calcule comme suit :

0,96 pour cent des recettes brutes au guichet, des revenus d'abonnement et des frais d'adhésion pour l'ensemble des concerts (y compris les concerts durant lesquels aucune œuvre faisant partie du répertoire de la SOCAN n'est exécutée), à l'exclusion des taxes de vente et d'amusement, sous réserve d'une redevance annuelle minimale de 41,93 \$.

Lorsqu'une série de concerts ou de récitals faisant partie de la saison artistique d'un diffuseur est gratuite, la redevance se calcule comme suit :

0,96 pour cent des cachets versés aux chanteurs, musiciens, danseurs, chefs d'orchestre et autres artistes participant aux concerts (y compris les concerts durant lesquels aucune œuvre faisant partie du répertoire de la SOCAN n'est exécutée) de la série, sous réserve d'une redevance annuelle minimale de 41,93 \$.

Au plus tard le 31 janvier de l'année pour laquelle la licence est émise, le titulaire de la licence soumet à la SOCAN un rapport estimant les recettes brutes au guichet, les revenus d'abonnement et les frais d'adhésion pour cette année. Pour une série de concerts ou récitals gratuits, le titulaire de la licence soumet un rapport estimant les cachets versés aux chanteurs, musiciens, danseurs, chefs d'orchestre et autres artistes participant aux concerts de la série. Si la redevance est estimée à 100 \$ ou moins, le paiement est joint au rapport. Sinon, des versements trimestriels sont effectués, conformément à l'estimation contenue dans le rapport, dans les 30 jours suivant la fin de chaque trimestre.

Au plus tard le 31 janvier de l'année suivante, le titulaire de la licence soumet à la SOCAN un rapport établissant les recettes brutes au guichet, les revenus d'abonnement et les frais d'adhésion réellement reçus ou, dans le cas d'une série de concerts ou récitals gratuits, les cachets réellement versés aux chanteurs, interprètes, musiciens, danseurs, chefs d'orchestre et autres artistes participant aux concerts, pendant l'année en cause, et le coût de la licence est ajusté en conséquence. Le paiement de toute somme due accompagne le rapport; si le coût de la licence est inférieur au montant déjà payé, la SOCAN porte le supplément au crédit du titulaire de la licence.

Le tarif 4.B.1 ne s'applique pas lorsque les redevances sont payées en vertu du présent tarif.

La SOCAN peut vérifier les livres et registres du titulaire de la licence durant les heures de bureau régulières, moyennant un préavis raisonnable, afin de confirmer les rapports soumis par le titulaire de la licence et la redevance exigible de ce dernier.

Tarif n° 5

EXPOSITIONS ET FOIRES

A. Pour une licence permettant l'exécution de l'une ou de la totalité des œuvres faisant partie du répertoire de la SOCAN, en tout temps et aussi souvent que désiré, lors d'une exposition ou d'une foire tenue durant les années 2005 à 2007, la redevance payable s'établit comme suit :

a) si l'assistance totale (excluant les exposants et le personnel) pour la durée de l'exposition ou de la foire ne dépasse pas 75 000 personnes :

Total Attendance	Fee Payable per Day
Up to 25,000 persons	\$12.81
25,001 to 50,000 persons	\$25.78
50,001 to 75,000 persons	\$64.31

(b) Where the total attendance (excluding exhibitors and staff) for the duration of the exhibition or fair exceeds 75,000 persons:

Total Attendance	Fee Payable per Person
For the first 100,000 persons	1.07¢
For the next 100,000 persons	0.47¢
For the next 300,000 persons	0.35¢
All additional persons	0.26¢

In the case of an exhibition or fair that is scheduled yearly, the fee shall be paid on the actual attendance figures in the preceding year, on or before January 31 of the year covered by the licence. The licensee shall submit with the licence fee the figures for actual attendance for the previous year and the duration, in days, of the exhibition or fair.

In all other cases, the licensee shall, within 30 days of an exhibition's or fair's closing, report its attendance and duration and submit the fee based on those figures.

SOCAN shall have the right to audit the licensee's books and records, on reasonable notice and during normal business hours, to verify the statements rendered and the fee payable by the licensee.

A licence issued under Tariff No. 5.A does not authorize performances of music at concerts for which an additional admission charge is made; for such concerts, Tariff No. 5.B applies.

B. Where an additional admission charge is made for attendance at musical concerts, an additional licence shall be required. The fee payable for such licence is calculated at the rate of 3 per cent of gross receipts from ticket sales to the concert, exclusive of sales and amusement taxes. Where the concert ticket allows the purchaser access to the exhibition grounds at any time after the opening on the day of the concert, the adult general grounds admission price shall also be deducted from the ticket price to produce the net ticket price.

The fees due under section B shall be calculated on a per concert basis and shall be payable immediately after the close of the exhibition.

SOCAN shall have the right to audit the licensee's books and records, on reasonable notice and during normal business hours, to verify the statements rendered and the fee payable by the licensee.

Tariff No. 6

MOTION PICTURE THEATRES

For a licence to perform, at any time and as often as desired in the years 2005 to 2008, any or all of the works in SOCAN's repertoire, covering the operations of a motion picture theatre or any establishment exhibiting motion pictures at any time during the year, the fee is as follows:

Assistance totale	Redevance quotidienne
Jusqu'à 25 000 personnes	12,81 \$
25 001 à 50 000 personnes	25,78 \$
50 001 à 75 000 personnes	64,31 \$

b) si l'assistance totale (excluant les exposants et le personnel) pour la durée de l'exposition ou de la foire dépasse 75 000 personnes :

Assistance totale	Redevance par personne
Pour les 100 000 premières personnes	1,07 ¢
Pour les 100 000 personnes suivantes	0,47 ¢
Pour les 300 000 personnes suivantes	0,35 ¢
Pour les personnes additionnelles	0,26 ¢

Dans le cas d'une exposition ou d'une foire tenue chaque année, la redevance payable s'établit à partir de l'assistance réelle au cours de l'année précédente et est acquittée au plus tard le 31 janvier de l'année visée par la licence. Avec son paiement, le titulaire de la licence soumet les chiffres d'assistance réelle pour l'année précédente et le nombre de jours de durée de l'exposition ou de la foire.

Dans tous les autres cas, le titulaire de la licence, dans les 30 jours de la fermeture de l'exposition ou de la foire, fait rapport de l'assistance et de la durée et acquitte la redevance payable sur la base de ces données.

La SOCAN peut vérifier les livres et registres du titulaire de la licence durant les heures de bureau régulières, moyennant un préavis raisonnable, afin de confirmer les rapports soumis par le titulaire de la licence et la redevance exigible de ce dernier.

Une licence délivrée en vertu du tarif n° 5.A n'autorise pas l'exécution d'œuvres musicales lors de concerts pour lesquels un prix additionnel d'entrée est exigé; ces concerts sont assujettis au tarif n° 5.B.

B. Lorsqu'un prix d'entrée supplémentaire est perçu pour l'accès à un concert, une licence additionnelle est exigée. La redevance payable pour cette licence s'établit à 3 pour cent des recettes brutes au guichet du spectacle, à l'exclusion des taxes de vente et d'amusement. Si le prix du billet de concert permet à l'acheteur d'accéder à l'exposition en tout temps à compter de l'ouverture le jour du concert, le prix d'admission pour adultes est aussi déduit du prix du billet avant d'établir les recettes servant au calcul de la redevance payable.

Les redevances exigibles en vertu de l'article B sont calculées par concert et sont versées immédiatement après la fermeture de l'exposition.

La SOCAN peut vérifier les livres et registres du titulaire de la licence durant les heures de bureau régulières, moyennant un préavis raisonnable, afin de confirmer les rapports soumis par le titulaire de la licence et la redevance exigible de ce dernier.

Tarif n° 6

CINÉMAS

Pour une licence permettant l'exécution, en tout temps et aussi souvent que désiré durant les années 2005 à 2008, de l'une ou de la totalité des œuvres faisant partie du répertoire de la SOCAN, couvrant l'exploitation d'un cinéma ou tout établissement présentant des films en tout temps durant l'année, la redevance annuelle exigible s'établit comme suit :

Year	Rate per Seat per Annum	Minimum Fee
2005	\$1.14	\$114
2006	\$1.17	\$117
2007	\$1.20	\$120
2008	\$1.23	\$123

The seating capacity of drive-in theatres is deemed to be three times the maximum number of automobiles which may be accommodated at any one time.

Theatres operating three days or less per week shall pay one half of the above rates.

For theatres operating for less than 12 months in each year, the fee payable shall be reduced by one twelfth for each full month during the year in which no operations occur.

A licence obtained under this tariff does not authorize any concert or other performance of music when the exhibition of one or more films is not an integral part of the program. The fees for those performances shall be calculated under other applicable tariffs.

SOCAN shall have the right to audit the licensee's books and records, on reasonable notice and during normal business hours, to verify the statements rendered and the fee payable by the licensee.

Tariff No. 7

SKATING RINKS

For a licence to perform, at any time and as often as desired in the years 2005 to 2007, any or all of the works in SOCAN's repertoire, by means of performers in person or by means of recorded music, in connection with roller or ice skating, the fee is as follows:

- (a) Where an admission fee is charged: 1.2 per cent of the gross receipts from admissions exclusive of sales and amusement taxes, subject to a minimum annual fee of \$104.31.
- (b) Where no admission fee is charged: an annual fee of \$104.31.

The licensee shall estimate the fee payable for the year covered by the licence based on the total gross receipts from admissions, exclusive of sales and amusement taxes, for the previous year and shall pay such estimated fee to SOCAN on or before January 31 of the year covered by the licence. Payment of the fee shall be accompanied by a report of the gross receipts for the previous year.

If the gross receipts reported for the previous year were not based on the entire year, payment of this fee shall be accompanied by a report estimating the gross receipts from admissions for the entire year covered by the licence.

On or before January 31 of the following year, a report shall be made of the actual gross receipts from admissions during the year covered by the licence, an adjustment of the licence fee payable to SOCAN shall be made, and any additional fees due on the basis of the actual gross receipts from admission charges shall be paid to SOCAN. If the fee due is less than the amount paid, SOCAN shall credit the licensee with the amount of the overpayment.

Année	Taux par siège/année	Redevance minimale
2005	1,14 \$	114 \$
2006	1,17 \$	117 \$
2007	1,20 \$	120 \$
2008	1,23 \$	123 \$

Le nombre de sièges dans les cinémas en plein air est réputé être trois fois le nombre maximum d'automobiles capables d'y stationner en même temps.

Les cinémas qui ouvrent leurs portes trois jours ou moins par semaine versent la moitié de la redevance autrement exigible.

Pour les cinémas exploités moins de 12 mois par année, la redevance payable est réduite d'un douzième pour chaque mois complet de non-exploitation.

La licence émise en vertu du présent tarif n'autorise pas les concerts ou autres exécutions de musique, lorsque la projection d'un ou de plusieurs films ne fait pas partie intégrante du programme. Les redevances pour ces exécutions sont établies conformément aux autres tarifs pertinents.

La SOCAN peut vérifier les livres et registres du titulaire de la licence durant les heures de bureau régulières, moyennant un préavis raisonnable, afin de confirmer les rapports soumis par le titulaire de la licence et la redevance exigible de ce dernier.

Tarif n° 7

PATINOIRES

Pour une licence permettant l'exécution, en tout temps et aussi souvent que désiré durant les années 2005 à 2007, de l'une ou de la totalité des œuvres faisant partie du répertoire de la SOCAN, par des exécutants en personne ou par le biais de musique enregistrée, dans le cadre d'activités reliées au patin à roulettes ou à glace, la redevance exigible est la suivante :

- a) Où l'on perçoit un prix d'entrée : 1,2 pour cent des recettes brutes d'entrée à l'exclusion des taxes de vente et d'amusement, sous réserve d'une redevance annuelle minimale de 104,31 \$.
- b) Où l'on ne perçoit pas de prix d'entrée : une redevance annuelle de 104,31 \$.

Le titulaire de la licence évalue la redevance exigible pour l'année visée par la licence en fonction des recettes brutes totales d'entrée, à l'exception des taxes de vente et d'amusement, pour l'année précédente, et verse ce montant estimatif à la SOCAN au plus tard le 31 janvier de l'année visée par la licence. Le versement de la redevance payable doit être accompagné du relevé des recettes brutes pour l'année précédente.

Si les recettes brutes déclarées pour l'année précédente ne tiennent compte que d'une partie de l'année, le paiement de cette redevance doit être accompagné d'un rapport contenant le montant estimatif des recettes brutes d'entrée pour la totalité de l'année visée par la licence.

Au plus tard le 31 janvier de l'année suivante, un rapport des recettes brutes réelles d'entrée pour l'année visée par la licence est préparé, le montant de la redevance exigible est corrigé et toute redevance additionnelle exigible en vertu du montant réel des recettes brutes d'entrée doit être versée à la SOCAN. Si le coût de la licence est inférieur au montant déjà payé, la SOCAN porte le supplément au crédit du titulaire de la licence.

SOCAN shall have the right to audit the licensee's books and records, on reasonable notice and during normal business hours, to verify the statements rendered and the fee payable by the licensee.

*Tariff No. 8*RECEPTIONS, CONVENTIONS, ASSEMBLIES
AND FASHION SHOWS

For a licence to perform, at any time and as often as desired in 2005, any or all of the works in SOCAN's repertoire, at receptions, conventions, assemblies and fashion shows, where the performances have not been contracted for by a licensee of SOCAN, the operator of the premises shall pay for each event at receptions, conventions or assemblies or for each day on which a fashion show is held, as follows:

Room Capacity (seating and standing)	Fee Per Event	
	Without Dancing	With Dancing
1 - 100	\$20.56	\$41.13
101 - 300	\$29.56	\$59.17
301 - 500	\$61.69	\$123.38
Over 500	\$87.40	\$174.79

No later than 30 days after the end of each quarter, the operator of the premises shall file with SOCAN a report for that quarter of the actual number of events with and without dancing and of the number of days on which a fashion show is held. The report shall also include the room capacity (seating and standing) authorized under the establishment's liquor licence or any other document issued by a competent authority for this type of establishment, and payment of the licence fees.

SOCAN shall have the right to audit the licensee's books and records, on reasonable notice and during normal business hours, to verify the statements rendered and the fee payable by the licensee.

Tariff No. 9

SPORTS EVENTS

For a licence to perform in 2005 any or all of the works in SOCAN's repertoire, by means of performers in person or by means of recorded music, in connection with baseball, football, hockey, basketball, skating competitions, races, track meets and other sports events, the fee payable per event shall be 0.07 per cent of gross receipts from ticket sales, exclusive of sales and amusement taxes, subject to a minimum fee of \$64 per event. Where no admission fee is charged, the minimum fee shall apply.

No later than 30 days after the end of each quarter, the licensee shall file with SOCAN a report for that quarter of the actual number of events, together with payment of the licence fees.

A complimentary ticket is valued at half the lowest price paid for a sold ticket from the same ticket category in the same event.

A licence to which Tariff No. 9 applies does not authorize performances of music at opening and closing events for which an

La SOCAN peut vérifier les livres et registres du titulaire de la licence durant les heures de bureau régulières, moyennant un préavis raisonnable, afin de confirmer les rapports soumis par le titulaire de la licence et la redevance exigible de ce dernier.

*Tarif n° 8*RÉCEPTION, CONGRÈS, ASSEMBLÉES
ET PRÉSENTATIONS DE MODE

Pour une licence permettant l'exécution en tout temps et aussi souvent que désiré en 2005, de l'une ou de la totalité des œuvres faisant partie du répertoire de la SOCAN, lors de réceptions, congrès, assemblées et présentations de mode, lorsque les exécutions n'ont pas fait l'objet d'un contrat avec un titulaire de licence de la SOCAN, l'exploitant des lieux paiera pour chaque événement lors de réceptions, congrès ou assemblées ou pour chaque jour où se tiendra une présentation de mode, comme suit :

Nombre de places (debout et assises)	Redevance exigible par événement	
	Sans danse	Avec danse
1 - 100	20,56 \$	41,13 \$
101 - 300	29,56 \$	59,17 \$
301 - 500	61,69 \$	123,38 \$
Plus de 500	87,40 \$	174,79 \$

Au plus tard 30 jours suivant la fin de chaque trimestre, l'exploitant des lieux soumettra à la SOCAN un rapport pour ce trimestre indiquant le nombre d'événements avec et sans danse et le nombre de jours où se tenait une présentation de mode. Le rapport indiquera aussi le nombre de places (debout et assises) autorisé selon le permis d'alcool ou tout autre document émis par les autorités compétentes pour ce genre d'établissement, et sera accompagné du paiement des redevances.

La SOCAN peut vérifier les livres et registres du titulaire de la licence durant les heures de bureau régulières, moyennant un préavis raisonnable, afin de confirmer les rapports soumis par le titulaire de la licence et la redevance exigible de ce dernier.

Tarif n° 9

ÉVÉNEMENTS SPORTIFS

Pour une licence permettant l'exécution en 2005 de l'une ou de la totalité des œuvres faisant partie du répertoire de la SOCAN, par des exécutants en personne ou au moyen de musique enregistrée, à l'occasion de parties de baseball, football, hockey, basketball, compétitions de patinage, courses, rencontres d'athlétisme et autres événements sportifs, la redevance payable par événement est de 0,07 pour cent des recettes brutes d'entrée, à l'exclusion des taxes de vente et d'amusement, sous réserve d'un minimum de 64 \$ par événement. Où l'on ne perçoit pas de prix d'entrée, la redevance minimale s'applique.

Au plus tard 30 jours suivant la fin de chaque trimestre, le titulaire de la licence soumet à la SOCAN un rapport pour ce trimestre indiquant le nombre d'événements, accompagné du paiement des redevances.

Aux fins du calcul de la redevance, les billets de faveur sont réputés avoir été vendus à la moitié du prix le plus bas auquel un billet de la même catégorie s'est vendu pour le même événement.

Une licence à laquelle le tarif n° 9 s'applique n'autorise pas l'exécution d'œuvres musicales lors d'événements d'ouverture ou

additional admission charge is made; for such events, Tariff No. 4 shall apply.

SOCAN shall have the right to audit the licensee's books and records, on reasonable notice and during normal business hours, to verify the statements rendered and the fee payable by the licensee.

Tariff No. 10

**PARKS, PARADES, STREETS AND
OTHER PUBLIC AREAS**

A. Strolling Musicians and Buskers; Recorded Music

For a licence to perform, at any time and as often as desired in the years 2005 to 2007, any or all of the works in SOCAN's repertoire, by strolling musicians or buskers, or by means of recorded music, in parks, streets, or other public areas, the fee is as follows:

\$32.55 for each day on which music is performed, up to a maximum fee of \$222.93 in any three-month period.

SOCAN shall have the right to audit the licensee's books and records, on reasonable notice and during normal business hours, to verify the statements rendered and the fee payable by the licensee.

For concert performances in parks, streets or other public areas, Tariff No. 4 shall apply.

B. Marching Bands; Floats with Music

For a licence to perform, at any time and as often as desired in the years 2005 to 2007, any or all of the works in SOCAN's repertoire, by marching bands or floats with music participating in parades, the fee is as follows:

\$8.78 for each marching band or float of music participating in a parade, subject to a minimum fee of \$32.55 per day.

SOCAN shall have the right to audit the licensee's books and records, on reasonable notice and during normal business hours, to verify the statements rendered and the fee payable by the licensee.

Tariff No. 11

**CIRCUSES, ICE SHOWS, FIREWORKS DISPLAYS,
SOUND AND LIGHT SHOWS AND SIMILAR EVENTS;
COMEDY SHOWS AND MAGIC SHOWS**

A. Circuses, Ice Shows, Fireworks Displays, Sound and Light Shows and Similar Events

For a licence to perform, at any time and as often as desired in the years 2005 to 2007, any or all of the works in SOCAN's repertoire, by means of performers in person or by means of recorded music at circuses, ice shows, fireworks displays, sound and light shows and similar events, the fee payable per event is as follows:

de clôture pour lesquels un prix d'entrée supplémentaire est perçu; le tarif n° 4 s'applique à ces événements.

La SOCAN peut vérifier les livres et registres du titulaire de la licence durant les heures de bureau régulières, moyennant un préavis raisonnable, afin de confirmer les rapports soumis par le titulaire de la licence et la redevance exigible de ce dernier.

Tarif n° 10

**PARCS, PARADES, RUES ET
AUTRES ENDROITS PUBLICS**

A. Musiciens ambulants et musiciens des rues; musique enregistrée

Pour une licence permettant l'exécution, en tout temps et aussi souvent que désiré durant les années 2005 à 2007, de l'une ou de la totalité des œuvres faisant partie du répertoire de la SOCAN, par des musiciens ambulants ou des musiciens des rues, ou au moyen de musique enregistrée, dans des parcs, rues ou autres endroits publics, la redevance s'établit comme suit :

32,55 \$ par jour où l'on exécute de la musique, jusqu'à concurrence de 222,93 \$ pour toute période de trois mois.

La SOCAN peut vérifier les livres et registres du titulaire de la licence durant les heures de bureau régulières, moyennant un préavis raisonnable, afin de confirmer les rapports soumis par le titulaire de la licence et la redevance exigible de ce dernier.

Pour les concerts donnés dans des parcs, rues ou autres endroits publics, le tarif n° 4 s'applique.

B. Fanfares; chars allégoriques avec musique

Pour une licence permettant l'exécution, en tout temps et aussi souvent que désiré durant les années 2005 à 2007, de l'une ou de la totalité des œuvres faisant partie du répertoire de la SOCAN, par des fanfares ou chars allégoriques avec musique prenant part à des parades, la redevance s'établit comme suit :

8,78 \$ par fanfare ou char allégorique avec musique prenant part à une parade, sous réserve d'une redevance minimale de 32,55 \$ par jour.

La SOCAN peut vérifier les livres et registres du titulaire de la licence durant les heures de bureau régulières, moyennant un préavis raisonnable, afin de confirmer les rapports soumis par le titulaire de la licence et la redevance exigible de ce dernier.

Tarif n° 11

**CIRQUES, SPECTACLES SUR GLACE, FEUX D'ARTIFICE,
SPECTACLES SON ET LUMIÈRE ET ÉVÉNEMENTS
SIMILAIRES; SPECTACLES D'HUMORISTES ET
SPECTACLES DE MAGICIENS**

A. Cirques, spectacles sur glace, feux d'artifice, spectacles son et lumière et événements similaires

Pour une licence permettant l'exécution en tout temps et aussi souvent que désiré durant les années 2005 à 2007, de l'une ou de la totalité des œuvres faisant partie du répertoire de la SOCAN, par des exécutants en personne ou au moyen de musique enregistrée, dans les cirques, les spectacles sur glace, les feux d'artifice, les spectacles son et lumière et autres événements similaires, la redevance exigible pour chaque représentation est la suivante :

1.6 per cent of gross receipts from ticket sales, exclusive of sales and amusement taxes, subject to a minimum fee of \$61.85.

SOCAN shall have the right to audit the licensee's books and records, on reasonable notice and during normal business hours, to verify the statements rendered and the fee payable by the licensee.

B. *Comedy Shows and Magic Shows*

For a licence to perform, at any time and as often as desired in the years 2005 to 2007, any or all of the works in SOCAN's repertoire, by means of performers in person or by means of recorded music in conjunction with events where the primary focus is on comedians or magicians and the use of music is incidental, the fee payable per event is \$36.60. However, where the comedy act or magic show is primarily a musical act, Tariff 4.A applies.

SOCAN shall have the right to audit the licensee's books and records, on reasonable notice and during normal business hours, to verify the statements rendered and the fee payable by the licensee.

Tariff No. 12

THEME PARKS, ONTARIO PLACE CORPORATION AND SIMILAR OPERATIONS; PARAMOUNT CANADA'S WONDERLAND AND SIMILAR OPERATIONS

A. *Theme Parks, Ontario Place Corporation and Similar Operations*

For a licence to perform, at any time and as often as desired in the year 2005, any or all of the works in SOCAN's repertoire, at theme parks, Ontario Place Corporation and similar operations, the fee payable is:

(a) \$2.41 per 1,000 persons in attendance on days on which music is performed, rounding the number of persons to the nearest 1,000;

PLUS

(b) 1.5 per cent of "live music entertainment costs."

"Live music entertainment costs" means all direct expenditures of any kind and nature (whether in money or other form) paid by the licensee or on the licensee's behalf for all live entertainment during which live music is performed on the premises. It does not include amounts expended for stage props, lighting equipment, set design and costumes, or expenditures for renovation, expansion of facilities or furniture and equipment.

No later than June 30 of the year covered by the licence, the licensee shall file with SOCAN a statement estimating the attendance and the live music entertainment costs for that year, together with payment of 50 per cent of the estimated fee. The balance of the estimated fee is to be paid no later than October 1 of the same year.

No later than the earliest of 30 days of the close of the season and January 31 of the following year, the licensee shall file with

1,6 pour cent des recettes brutes d'entrée, à l'exclusion des taxes de vente et d'amusement, sous réserve d'une redevance minimale de 61,85 \$.

La SOCAN peut vérifier les livres et registres du titulaire de la licence durant les heures de bureau régulières, moyennant un préavis raisonnable, afin de confirmer les rapports soumis par le titulaire de la licence et la redevance exigible de ce dernier.

B. *Spectacles d'humoristes et spectacles de magiciens*

Pour une licence permettant l'exécution en tout temps et aussi souvent que désiré durant les années 2005 à 2007, de l'une ou de la totalité des œuvres faisant partie du répertoire de la SOCAN, par des exécutants en personne ou au moyen de musique enregistrée simultanément avec des événements où la participation d'humoristes ou de magiciens constitue l'attrait principal de l'événement et l'utilisation de la musique n'est qu'accessoire à l'événement, la redevance exigible par événement est de 36,60 \$. Cependant, si la présentation de l'humoriste ou du magicien constitue principalement un spectacle musical, le tarif n° 4.A s'applique.

La SOCAN peut vérifier les livres et registres du titulaire de la licence durant les heures de bureau régulières, moyennant un préavis raisonnable, afin de confirmer les rapports soumis par le titulaire de la licence et la redevance exigible de ce dernier.

Tarif n° 12

PARCS THÉMATIQUES, ONTARIO PLACE CORPORATION ET ÉTABLISSEMENTS DU MÊME GENRE; PARAMOUNT CANADA'S WONDERLAND ET ÉTABLISSEMENTS DU MÊME GENRE

A. *Parcs thématiques, Ontario Place Corporation et établissements du même genre*

Pour une licence permettant l'exécution en tout temps et aussi souvent que désiré en 2005, de l'une ou de la totalité des œuvres faisant partie du répertoire de la SOCAN, à des parcs thématiques, à Ontario Place Corporation ou à un établissement du même genre, la redevance payable s'établit comme suit :

a) 2,41 \$ par 1 000 personnes d'assistance pour chaque journée où des œuvres musicales sont exécutées, en arrondissant ce nombre de personnes au millier le plus rapproché;

PLUS

b) 1,5 pour cent des « coûts d'exécution d'œuvres musicales par des interprètes en personne ».

« Coûts d'exécution d'œuvres musicales par des interprètes en personne » s'entend des dépenses directes de quelque nature que ce soit (en argent ou sous une autre forme) engagées par le titulaire de la licence ou en son nom pour tout divertissement au cours duquel des œuvres musicales sont exécutées sur les lieux par des interprètes en personne. Ce montant n'inclut pas les sommes payées pour les accessoires de théâtre, le matériel d'éclairage, les décors, les costumes, la rénovation, l'expansion des installations, l'ameublement ou le matériel.

Au plus tard le 30 juin de l'année visée par la licence, le titulaire de la licence soumet à la SOCAN un rapport estimant l'assistance et les coûts d'exécution d'œuvres musicales par des interprètes en personne durant cette année, et verse la moitié de la redevance estimée. Le solde de cette redevance est versé au plus tard le 1^{er} octobre de la même année.

Dans les 30 jours suivant la fermeture de la saison ou le 31 janvier de l'année suivante, selon la première de ces deux dates, le

SOCAN an audited statement setting out the total attendance and the live music entertainment costs for the year covered by the licence. SOCAN shall then calculate the fee and submit a statement of adjustments.

SOCAN shall have the right to audit the licensee's books and records, on reasonable notice and during normal business hours, to verify the statements rendered and the fee payable by the licensee.

Tariff No. 12.A does not apply to performances covered under Tariff No. 4 or No. 5.

B. *Paramount Canada's Wonderland Inc. and Similar Operations*

For a licence to perform, at any time and as often as desired in the year 2005, any or all of the works in SOCAN's repertoire at Paramount Canada's Wonderland and similar operations, the fee payable is:

- (a) \$5.09 per 1,000 persons in attendance on days on which music is performed, rounding the number of persons to the nearest 1,000;

PLUS

- (b) 1.5 per cent of "live music entertainment costs."

"Live music entertainment costs" means all direct expenditures of any kind and nature (whether in money or other form) paid by the licensee or on the licensee's behalf for all live entertainment during which live music is performed on the premises. It does not include amounts expended for stage props, lighting equipment, set design and costumes, or expenditures for renovation, expansion of facilities or furniture and equipment.

No later than June 30 of the year covered by the licence, the licensee shall file with SOCAN a statement estimating the attendance and the live music entertainment costs for that year, together with payment of 50 per cent of the estimated fee. The balance of the estimated fee is to be paid no later than October 1 of the same year.

No later than the earliest of 30 days of the close of the season and January 31 of the following year, the licensee shall file with SOCAN an audited statement setting out the total attendance and the live music entertainment costs for the year covered by the licence. SOCAN shall then calculate the fee and submit a statement of adjustments.

SOCAN shall have the right to audit the licensee's books and records, on reasonable notice and during normal business hours, to verify the statements rendered and the fee payable by the licensee.

Tariff No. 12.B does not apply to performances covered under Tariff No. 4 or No. 5.

Tariff No. 13

PUBLIC CONVEYANCES

A. *Aircraft*

For a licence to perform in an aircraft, by means of recorded music, at any time and as often as desired in the year 2005, any or

titulaire de la licence soumet à la SOCAN un état vérifié indiquant l'assistance totale et les coûts d'exécution d'œuvres musicales par des interprètes en personne durant l'année visée par la licence. La SOCAN calcule alors la redevance payable et fournit un état rectificatif.

La SOCAN peut vérifier les livres et registres du titulaire de la licence durant les heures de bureau régulières, moyennant un préavis raisonnable, afin de confirmer les rapports soumis par le titulaire de la licence et la redevance exigible de ce dernier.

Le tarif n° 12.A ne s'applique pas aux exécutions assujetties au tarif n° 4 ou 5.

B. *Paramount Canada's Wonderland Inc. et établissements du même genre*

Pour une licence permettant l'exécution en tout temps et aussi souvent que désiré en 2005, de l'une ou de la totalité des œuvres faisant partie du répertoire de la SOCAN, à Paramount Canada's Wonderland ou à un établissement du même genre, la redevance payable s'établit comme suit :

- a) 5,09 \$ par 1 000 personnes d'assistance pour chaque journée où des œuvres musicales sont exécutées, en arrondissant ce nombre de personnes au millier le plus rapproché.

PLUS

- b) 1,5 pour cent des « coûts d'exécution d'œuvres musicales par des interprètes en personne ».

« Coûts d'exécution d'œuvres musicales par des interprètes en personne » s'entend des dépenses directes de quelque nature que ce soit (en argent ou sous une autre forme) engagées par le titulaire de la licence ou en son nom pour tout divertissement au cours duquel des œuvres musicales sont exécutées sur les lieux par des interprètes en personne. Ce montant n'inclut pas les sommes payées pour les accessoires de théâtre, le matériel d'éclairage, les décors, les costumes, la rénovation, l'expansion des installations, l'ameublement ou le matériel.

Au plus tard le 30 juin de l'année visée par la licence, le titulaire de la licence soumet à la SOCAN un rapport estimant l'assistance et les coûts d'exécution d'œuvres musicales par des interprètes en personne durant cette année, et verse la moitié de la redevance estimée. Le solde de cette redevance est versé au plus tard le 1^{er} octobre de la même année.

Dans les 30 jours suivant la fermeture de la saison ou le 31 janvier de l'année suivante, selon la première de ces deux dates, le titulaire de la licence soumet à la SOCAN un état vérifié indiquant l'assistance totale et les coûts d'exécution d'œuvres musicales par des interprètes en personne durant l'année visée par la licence. La SOCAN calcule alors la redevance payable et fournit un état rectificatif.

La SOCAN peut vérifier les livres et registres du titulaire de la licence durant les heures de bureau régulières, moyennant un préavis raisonnable, afin de confirmer les rapports soumis par le titulaire de la licence et la redevance exigible de ce dernier.

Le tarif n° 12.B ne s'applique pas aux représentations assujetties au tarif n° 4 ou 5.

Tarif n° 13

TRANSPORTS EN COMMUN

A. *Avions*

Pour une licence permettant l'exécution à bord d'un avion, au moyen de musique enregistrée, en tout temps et aussi souvent que

all of the works in SOCAN's repertoire, the fee payable for each aircraft is as follows:

1.	Music while on ground	
	Seating Capacity	Fee per Calendar Quarter
	0 to 100	\$40.50
	101 to 160	\$51.30
	161 to 250	\$60.00
	251 or more	\$82.50
2.	In-flight Music	
	Seating Capacity	Fee per Calendar Quarter
	0 to 100	\$162.00
	101 to 160	\$205.20
	161 to 250	\$240.00
	251 or more	\$330.00

The fees under this tariff shall be payable on March 31, June 30, September 30, and December 31.

SOCAN shall have the right to audit the licensee's books and records, on reasonable notice and during normal business hours, to verify the statements rendered and the fee payable by the licensee.

Where fees are paid under Tariff No. 13.A.2, no fees are payable under Tariff No. 13.A.1.

B. *Passenger Ships*

For a licence to perform in a passenger ship, by means of recorded music, at any time and as often as desired in 2005, any or all of the works in SOCAN's repertoire, the fee payable for each passenger ship is as follows:

\$1.05 per person per year based on the authorized passenger capacity of the ship, subject to a minimum fee of \$62.74.

For passenger ships operating for less than 12 months in each year, the fee payable shall be reduced by one twelfth for each full month during the year in which no operations occur.

On or before January 31 of the year covered by the licence, the licensee shall report the authorized passenger capacity and pay the applicable fee to SOCAN.

SOCAN shall have the right to audit the licensee's books and records, on reasonable notice and during normal business hours, to verify the statements rendered and the fee payable by the licensee.

C. *Railroad Trains, Buses and Other Public Conveyances, Excluding Aircraft and Passenger Ships*

For a licence to perform in railroad trains, buses and other public conveyances, excluding aircraft and passenger ships, by means of recorded music, at any time and as often as desired in 2005, any or all of the works in SOCAN's repertoire, the fee payable is as follows:

\$1.05 per person per year, based on the authorized passenger capacity of the car, bus or other public conveyance, subject to a minimum fee of \$62.74.

On or before January 31 of the year covered by the licence, the licensee shall report the authorized passenger capacity and pay the applicable fee to SOCAN.

SOCAN shall have the right to audit the licensee's books and records, on reasonable notice and during normal business hours, to verify the statements rendered and the fee payable by the licensee.

désiré en 2005, de l'une ou de la totalité des œuvres faisant partie du répertoire de la SOCAN, la redevance payable pour chaque avion s'établit comme suit :

1.	Musique au sol	
	Nombre de places	Redevance trimestrielle
	0 à 100	40,50 \$
	101 à 160	51,30 \$
	161 à 250	60,00 \$
	251 ou plus	82,50 \$
2.	Musique en vol	
	Nombre de places	Redevance trimestrielle
	0 à 100	162,00 \$
	101 à 160	205,20 \$
	161 à 250	240,00 \$
	251 ou plus	330,00 \$

Les redevances à cet égard sont payables le 31 mars, le 30 juin, le 30 septembre et le 31 décembre de chaque année.

La SOCAN aura le droit de vérifier les livres et registres du titulaire de la licence durant les heures de bureau régulières, moyennant un préavis raisonnable, afin de confirmer les rapports soumis par le titulaire de la licence et la redevance exigible de ce dernier.

Aucune redevance n'est payable au titre du tarif n° 13.A.1 si une redevance est payée au titre du tarif n° 13.A.2.

B. *Navires à passagers*

Pour une licence permettant l'exécution à bord d'un navire à passagers, au moyen de musique enregistrée, en tout temps et aussi souvent que désiré en 2005, de l'une ou de la totalité des œuvres faisant partie du répertoire de la SOCAN, la redevance payable s'établit comme suit :

1,05 \$ par personne par année, en se fondant sur le nombre maximum de passagers autorisé par navire, sous réserve d'une redevance minimale de 62,74 \$.

Pour les navires exploités moins de 12 mois par année, la redevance payable est réduite d'un douzième pour chaque mois complet de non-exploitation.

Au plus tard le 31 janvier de l'année visée par la licence, le titulaire fournit un rapport du nombre maximum de passagers autorisé et verse à la SOCAN la redevance exigible.

La SOCAN peut vérifier les livres et registres du titulaire de la licence durant les heures de bureau régulières, moyennant un préavis raisonnable, afin de confirmer les rapports soumis par le titulaire de la licence et la redevance exigible de ce dernier.

C. *Trains, autobus et autres moyens de transport en commun, à l'exclusion des avions et des navires à passagers*

Pour une licence permettant l'exécution à bord de trains, d'autobus et d'autres moyens de transport en commun à l'exclusion des avions et des navires à passagers, au moyen de musique enregistrée, en tout temps et aussi souvent que désiré en 2005, de l'une ou de la totalité des œuvres faisant partie du répertoire de la SOCAN, la redevance payable s'établit comme suit :

1,05 \$ par personne par année, en se fondant sur le nombre maximum de passagers autorisé par voiture, autobus ou autre moyen de transport en commun, sous réserve d'une redevance minimale de 62,74 \$.

Au plus tard le 31 janvier de l'année visée par la licence, le titulaire fournit un rapport du nombre maximum de passagers autorisé et verse à la SOCAN la redevance exigible.

La SOCAN peut vérifier les livres et registres du titulaire de la licence durant les heures de bureau régulières, moyennant un préavis raisonnable, afin de confirmer les rapports soumis par le titulaire de la licence et la redevance exigible de ce dernier.

Tariff No. 14

PERFORMANCE OF AN INDIVIDUAL WORK

For the performance, in the years 2005 to 2007, of an individual work or an excerpt there from by a performer or contrivance at any single event when that work is the sole work performed from the repertoire of SOCAN, the fee payable is as follows:

When the performance of the work does not last more than three minutes:

Potential Audience	Musical Group or Orchestra with or without Vocal Accompaniment	Single Instrument with or without Vocal Accompaniment
500 or less	\$ 5.35	\$ 2.72
501 to 1,000	\$ 6.27	\$ 4.11
1,001 to 5,000	\$ 13.37	\$ 6.68
5,001 to 10,000	\$ 18.66	\$ 9.36
10,001 to 15,000	\$ 24.01	\$ 12.03
15,001 to 20,000	\$ 29.30	\$ 14.65
20,001 to 25,000	\$ 34.60	\$ 17.33
25,001 to 50,000	\$ 40.05	\$ 17.48
50,001 to 100,000	\$ 45.45	\$ 22.72
100,001 to 200,000	\$ 59.33	\$ 26.63
200,001 to 300,000	\$ 66.68	\$ 33.31
300,001 to 400,000	\$ 79.94	\$ 39.95
400,001 to 500,000	\$ 93.36	\$ 46.68
500,001 to 600,000	\$ 106.67	\$ 53.26
600,001 to 800,000	\$ 119.94	\$ 59.58
800,001 or more	\$ 133.25	\$ 66.68

When the performance of a work lasts more than three minutes, the above rates are increased as follows:

	Increase %
Over 3 and not more than 7 minutes	75
Over 7 and not more than 15 minutes	125
Over 15 and not more than 30 minutes	200
Over 30 and not more than 60 minutes	300
Over 60 and not more than 90 minutes	400
Over 90 and not more than 120 minutes	500

If more than one work from SOCAN's repertoire is performed during any particular event, the fees shall be calculated under other applicable tariffs.

SOCAN shall have the right to audit the licensee's books and records, on reasonable notice and during normal business hours, to verify the statements rendered and the fee payable by the licensee.

Tariff No. 15

BACKGROUND MUSIC IN ESTABLISHMENTS NOT COVERED BY TARIFF NO. 16

A. Background Music

For a licence to perform, by means of recorded music, at any time and as often as desired in the year 2005, any or all of the works in SOCAN's repertoire, in an establishment not covered by Tariff No. 16, the annual fee is

Tarif n° 14

EXÉCUTION D'ŒUVRES PARTICULIÈRES

Pour l'exécution durant les années 2005 à 2007, d'une œuvre particulière ou d'un extrait de cette dernière par un exécutant ou un appareil à l'occasion d'un événement particulier, lorsqu'il s'agit de la seule œuvre tirée du répertoire de la SOCAN, les redevances payables sont les suivantes :

Lorsque l'exécution de l'œuvre ne dure pas plus de trois minutes :

Auditoire prévu	Ensemble musical ou orchestre avec ou sans accompagnement vocal	Instrument unique avec ou sans accompagnement vocal
500 ou moins	5,35 \$	2,72 \$
501 à 1 000	6,27 \$	4,11 \$
1 001 à 5 000	13,37 \$	6,68 \$
5 001 à 10 000	18,66 \$	9,36 \$
10 001 à 15 000	24,01 \$	12,03 \$
15 001 à 20 000	29,30 \$	14,65 \$
20 001 à 25 000	34,60 \$	17,33 \$
25 001 à 50 000	40,05 \$	17,48 \$
50 001 à 100 000	45,45 \$	22,72 \$
100 001 à 200 000	59,33 \$	26,63 \$
200 001 à 300 000	66,68 \$	33,31 \$
300 001 à 400 000	79,74 \$	39,95 \$
400 001 à 500 000	93,36 \$	46,68 \$
500 001 à 600 000	106,67 \$	53,26 \$
600 001 à 800 000	119,94 \$	59,58 \$
800 001 ou plus	133,25 \$	66,68 \$

Pour l'exécution d'une œuvre durant plus de trois minutes, les taux précités sont majorés comme suit :

	Augmentation %
Plus de 3 minutes et pas plus de 7	75
Plus de 7 minutes et pas plus de 15	125
Plus de 15 minutes et pas plus de 30.....	200
Plus de 30 minutes et pas plus de 60.....	300
Plus de 60 minutes et pas plus de 90.....	400
Plus de 90 minutes et pas plus de 120.....	500

Si plus d'une œuvre tirée du répertoire de la SOCAN est exécutée à l'occasion d'un événement particulier, les redevances sont calculées conformément aux autres tarifs pertinents.

La SOCAN peut vérifier les livres et registres du titulaire de la licence durant les heures de bureau régulières, moyennant un préavis raisonnable, afin de confirmer les rapports soumis par le titulaire de la licence et la redevance exigible de ce dernier.

Tarif n° 15

MUSIQUE DE FOND DANS LES ÉTABLISSEMENTS NON RÉGÉS PAR LE TARIF N° 16

A. Musique de fond

Pour une licence permettant l'exécution, au moyen de musique enregistrée, en tout temps et aussi souvent que désiré en 2005, de l'une ou de la totalité des œuvres faisant partie du répertoire de la SOCAN, dans un établissement non assujéti au tarif n° 16, la redevance annuelle est de :

\$1.23 per square metre or 11.46¢ per square foot, payable no later than January 31, 2005.

If no music is performed in January of the first year of operation, the fee shall be prorated on a monthly basis, calculated from the month in which music was first performed, and shall be paid within 30 days of the date on which music was first performed.

Seasonal establishments operating less than six months per year pay half the above rate.

In all cases, a minimum fee of \$94.51 shall apply.

The payment shall be accompanied by a report showing the area of the establishment.

This tariff does not cover the use of music expressly covered in other tariffs.

Pursuant to subsection 69(2) of the *Copyright Act*, no royalties are collectable from the owner or user of a radio receiving set in respect of public performances effected by means of that radio receiving set in any place other than a theatre that is ordinarily and regularly used for entertainments to which an admission charge is made.

SOCAN shall have the right to audit the licensee's books and records, on reasonable notice and during normal business hours, to verify the statements rendered and the fee payable by the licensee.

B. Telephone Music on Hold

For a licence to communicate to the public by telecommunication over a telephone on hold, at any time and as often as desired in 2005, any or all of the works in SOCAN's repertoire, in an establishment not covered by Tariff No. 16, the fee payable is as follows:

\$94.51 for one trunk line, plus \$2.09 for each additional trunk line.

For the purposes of this tariff, "trunk line" means a telephone line linking the licensee's telephone switching equipment to the public telephone system and over which music is provided to a caller while on hold.

No later than January 31 of the year covered by the licence, the licensee shall pay the applicable fee to SOCAN and report the number of trunk lines.

SOCAN shall have the right to audit the licensee's books and records, on reasonable notice and during normal business hours, to verify the statements rendered and the fee payable by the licensee.

Where fees are paid under Tariff No. 16, no fees shall be payable under Tariff No. 15.B.

Tariff No. 16

BACKGROUND MUSIC SUPPLIERS

This tariff shall apply to licences for the performance in public or the communication to the public by telecommunication, at any time and as often as desired in 2005, of any or all of the works in SOCAN's repertoire, in connection with the supply of a background music service.

1,23 \$ le mètre carré ou 11,46 ¢ le pied carré, payable avant le 31 janvier 2005.

Si aucune musique n'est exécutée durant le mois de janvier de la première année d'exploitation, la redevance payable est établie au prorata du nombre de mois, calculée à compter du premier mois de l'année durant lequel de la musique est exécutée, et est versée dans les 30 jours de la date à laquelle de la musique a été exécutée pour la première fois.

Les établissements saisonniers exploités moins de six mois par année paient la moitié du taux mentionné ci-dessus.

Dans tous les cas, la redevance minimale est de 94,51 \$.

Le paiement est accompagné d'un rapport indiquant la superficie de l'établissement.

Le présent tarif ne couvre pas l'utilisation de musique expressément assujettie à tout autre tarif.

Le paragraphe 69(2) de la *Loi sur le droit d'auteur* prévoit qu'à l'égard des exécutions publiques effectuées au moyen d'un appareil radiophonique récepteur, en tout endroit autre qu'un théâtre servant ordinairement et régulièrement de lieu d'amusement où est exigé un prix d'entrée, aucune redevance n'est exigible du propriétaire ou de l'utilisateur de l'appareil radiophonique récepteur.

La SOCAN peut vérifier les livres et registres du titulaire de la licence durant les heures de bureau régulières, moyennant un préavis raisonnable, afin de confirmer les rapports soumis par le titulaire de la licence et la redevance exigible de ce dernier.

B. Attente musicale au téléphone

Pour une licence permettant la communication au public par télécommunication aux fins d'attente musicale au téléphone, en tout temps et aussi souvent que désiré en 2005, de l'une ou de la totalité des œuvres faisant partie du répertoire de la SOCAN, dans un établissement non assujetti au tarif n° 16, la redevance payable s'établit comme suit :

94,51 \$ pour une ligne principale de standard, plus 2,09 \$ pour chaque ligne principale de standard additionnelle.

Aux fins du présent tarif, « ligne principale de standard » signifie une ligne téléphonique reliant l'équipement de commutation téléphonique du titulaire de la licence au système téléphonique public et sur laquelle de la musique est fournie à une personne en attente.

Au plus tard le 31 janvier de l'année visée par la licence, le titulaire verse la redevance applicable, accompagnée d'un rapport indiquant le nombre de lignes principales de standard.

La SOCAN peut vérifier les livres et registres du titulaire de la licence durant les heures de bureau régulières, moyennant un préavis raisonnable, afin de confirmer les rapports soumis par le titulaire de la licence et la redevance exigible de ce dernier.

Aucune redevance n'est payable au titre du tarif n° 15.B si une redevance est payée au titre du tarif n° 16.

Tarif n° 16

FOURNISSEURS DE MUSIQUE DE FOND

Le présent tarif vise les licences pour l'exécution publique ou la communication au public par télécommunication, en tout temps et aussi souvent que désiré en 2005, de l'une ou de la totalité des œuvres faisant partie du répertoire de la SOCAN, lors de la fourniture d'un service de musique de fond.

This tariff applies only if the music supplier undertakes to remit to SOCAN the licence fees set out in this tariff, together with all the information requested under the terms of this tariff.

Royalties paid pursuant to this tariff clear not only the right for the public performance effected by the service's subscriber, but also, where applicable, the right for the communication to the public by telecommunication effected by the service when it transmits a signal to its subscribers.

This tariff does not cover the use of music expressly covered in other tariffs.

The fee is established according to whether the subscriber to the music service occupies industrial premises or other premises.

A. Industrial Premises

For the purposes of this tariff, "industrial premises" includes all premises used in the manufacturing, assembly or production of goods of any kind, as well as offices and other business premises to which the general public is not routinely admitted.

The fee for industrial premises shall be 4.75 per cent of the total amount paid by the subscriber for background music, including telephone music on hold, subject to a minimum annual fee of \$54.41 for each premises, net of any amount paid for equipment provided to the subscriber.

B. Other Premises

The fee for other premises shall be 7.5 per cent of the amount paid by the subscriber for background music, including telephone music on hold, net of any amount paid for equipment provided to the subscriber.

A minimum annual fee of \$54.41 is payable for each separate tenancy. The annual minimum fee for premises with no more than five permanent employees and for which the charge for the music service does not exceed \$10 per month is reduced to \$22.70.

Provisions Applicable to All Premises Covered in This Tariff

In any multiple tenancy building, each separate tenancy to which the music service is supplied, pursuant to a contract between the supplier and that tenancy, shall be subject to the minimum rate as set out above.

The fees shall be paid each month. Within 10 days of the end of a month, the supplier shall send the payment for that month, together with a report for that month.

A supplier who pays fees and files all reports by the due date shall be entitled to the following reductions in the minimum fee payable for each premises:

Number of Premises	Applicable Minimum Fee
3 to 10.....	\$51.68
11 to 50.....	\$49.01
51 to 100.....	\$46.28
101 to 200.....	\$43.56
201 to 500.....	\$40.83
501 to 1,000	\$38.11

SOCAN shall have the right to audit the licensee's books and records, on reasonable notice during normal business hours, to verify the statements rendered and the fee payable by the licensee.

Le présent tarif s'applique uniquement si le fournisseur du service s'engage à remettre à la SOCAN les redevances établies dans le présent tarif, ainsi que les renseignements qu'il prévoit.

Les redevances versées en vertu du présent tarif libèrent les droits non seulement pour l'exécution publique à laquelle se livre l'abonné du service, mais aussi, le cas échéant, pour la communication au public par télécommunication à laquelle le service se livre en transmettant un signal aux abonnés du service.

Le présent tarif ne couvre pas l'utilisation de musique expressément assujettie à tout autre tarif.

La redevance est établie selon que l'abonné au service de musique occupe un local industriel ou un local autre.

A. Locaux industriels

Aux fins du présent tarif, « local industriel » s'entend de tout établissement utilisé pour la fabrication, l'assemblage ou la production de marchandises de toutes sortes, ainsi que des bureaux et autres locaux commerciaux auxquels le public n'est pas généralement admis.

La redevance payable à l'égard d'un local industriel est de 4,75 pour cent de la somme versée par l'abonné au fournisseur pour le service de musique de fond, incluant la musique en attente sur les lignes téléphoniques, sous réserve d'une redevance minimale de 54,41 \$ par année par local, à l'exclusion de toute somme payée par l'abonné pour de l'équipement fourni.

B. Autres locaux

La redevance payable à l'égard d'un local autre qu'industriel est de 7,5 pour cent de la somme versée par l'abonné au fournisseur pour le service de musique de fond, incluant la musique en attente sur les lignes téléphoniques, à l'exclusion de toute somme payée par l'abonné pour de l'équipement fourni.

Une redevance minimale de 54,41 \$ par année est payable pour chaque local distinct. La redevance minimale pour un établissement ne comptant pas plus de cinq employés permanents et dont l'abonnement ne coûte pas plus de 10 \$ par mois est réduite à 22,70 \$ par année.

Dispositions applicables à tous les locaux assujettis au présent tarif

Dans un immeuble à locataires multiples, chacun des locaux auxquels le service de musique est fourni en vertu d'un contrat entre le fournisseur de musique et un locataire est assujetti à la redevance minimale établie ci-dessus.

La redevance est payable mensuellement. Dans les 10 jours de la fin du mois, le fournisseur de musique effectue son paiement, accompagné d'un rapport pour ce mois.

Le fournisseur de musique qui verse les redevances et soumet les rapports appropriés dans le délai prescrit a droit à une réduction de la redevance minimale pour chaque local, établie comme suit :

Nombre de locaux	Redevance minimale applicable
3 à 10.....	51,68 \$
11 à 50.....	49,01 \$
51 à 100.....	46,28 \$
101 à 200.....	43,56 \$
201 à 500.....	40,83 \$
501 à 1 000	38,11 \$

La SOCAN peut vérifier les livres et registres du titulaire de la licence durant les heures de bureau régulières, moyennant un préavis raisonnable, afin de confirmer les rapports soumis par le titulaire de la licence et la redevance exigible de ce dernier.

Tariff No. 17

(Filed Separately)

Tariff No. 18

**RECORDED MUSIC
FOR DANCING**

For a licence to perform, by means of recorded music for dancing by patrons, at any time and as often as desired in the years 2005 to 2007, any or all of the works in SOCAN's repertoire, in bars, cabarets, restaurants, taverns, clubs, dining rooms, discotheques, dance halls, ballrooms and other premises where patrons can dance to recorded music, the fee is as follows:

(a) Premises accommodating no more than 100 patrons:

Months of Operation	Days of Operation	
	1-3 days	4-7 days
6 months or less	\$267.33	\$534.66
More than 6 months	\$534.66	\$1,069.32

(b) Premises accommodating more than 100 patrons:

Premises accommodating between 101 and 120 patrons shall pay 10 per cent more than the fees set out in (a). For each subsequent capacity increase of up to 20 patrons, a further increase of 10 per cent of the fees set out in (a) shall be payable.

No later than January 31 of the year covered by the licence, the establishment shall pay the applicable fee to SOCAN and report the room capacity in number of patrons.

SOCAN shall have the right to audit the licensee's books and records, on reasonable notice and during normal business hours, to verify the statements rendered and the fee payable by the licensee.

Tariff No. 19

FITNESS ACTIVITIES; DANCE INSTRUCTION

For a licence to perform, at any time and as often as desired in 2005, any or all of the works in SOCAN's repertoire, in conjunction with physical exercises (for example, dancercise, aerobics, body building and similar activities) and dance instruction, the annual fee for each room where the performances take place is the average number of participants per week per room used during the year multiplied by \$2.42, with a minimum annual fee of \$72.56.

Payment of this fee shall be made on or before January 31, 2005, accompanied by a report of the estimated average number of participants per week per room used during 2005.

On or before January 31, 2006, a report signed by an authorized representative shall be submitted to SOCAN indicating the actual average number of participants per week per room used during 2005. Any additional fees due on the basis of the report shall be paid to SOCAN. If the fee due is less than the amount

Tarif n° 17

(Déposé à part)

Tarif n° 18

**MUSIQUE ENREGISTRÉE UTILISÉE
À DES FINS DE DANSE**

Pour une licence permettant l'exécution, au moyen de musique enregistrée aux fins de danse par des clients, en tout temps et aussi souvent que désiré durant les années 2005 à 2007, de l'une ou de la totalité des œuvres faisant partie du répertoire de la SOCAN, dans un bar, un cabaret, un restaurant, une taverne, un club, une salle à manger, une discothèque, une salle de danse, une salle de bal ou tout autre établissement où les clients peuvent danser au son de musique enregistrée, la redevance payable s'établit comme suit :

a) Établissements pouvant accueillir 100 clients ou moins :

Mois d'opération	Jours d'ouverture	
	1 à 3 jours	4 à 7 jours
6 mois ou moins	267,33 \$	534,66 \$
Plus de 6 mois	534,66 \$	1 069,32 \$

b) Établissements pouvant accueillir plus de 100 clients :

Pour un établissement pouvant accueillir entre 101 et 120 clients, le titulaire de la licence verse 10 pour cent de plus que la redevance établie en a). Pour chaque augmentation additionnelle de capacité de 20 clients ou moins, une majoration additionnelle de 10 pour cent de la redevance établie en a) est exigible.

Au plus tard le 31 janvier de l'année visée par la licence, le titulaire verse la redevance applicable, accompagnée d'un rapport indiquant le nombre de clients que l'établissement peut recevoir.

La SOCAN peut vérifier les livres et registres du titulaire de la licence durant les heures de bureau régulières, moyennant un préavis raisonnable, afin de confirmer les rapports soumis par le titulaire de la licence et la redevance exigible de ce dernier.

Tarif n° 19

EXERCICES PHYSIQUES; COURS DE DANSE

Pour une licence permettant l'exécution, en tout temps et aussi souvent que désiré en 2005, de l'une ou de la totalité des œuvres faisant partie du répertoire de la SOCAN, simultanément avec des exercices physiques (par exemple : danse exercice, danse aérobique, culturisme et autres activités semblables) et des cours de danse, la redevance annuelle pour chaque salle où l'on fait ces exécutions d'œuvres musicales est basée sur la moyenne de participants par semaine, pour chaque salle utilisée durant l'année multipliée par 2,42 \$, avec une redevance minimale de 72,56 \$ par année.

Le paiement de la redevance devra être fait au plus tard le 31 janvier 2005 accompagné d'un rapport contenant la moyenne estimative des participants par semaine pour chaque salle utilisée durant l'année 2005.

Au plus tard le 31 janvier 2006, un rapport, signé par un représentant autorisé, devra être soumis à la SOCAN et indiquer la moyenne réelle des participants, par semaine, pour chaque salle utilisée durant 2005. La redevance exigible sera corrigée en fonction du rapport soumis, et toute redevance additionnelle exigible

paid in advance, the licensee shall be credited with the amount of such overpayment.

SOCAN shall have the right to audit the licensee's books and records, on reasonable notice and during normal business hours, to verify the statements rendered and the fee payable by the licensee.

Tariff No. 20

**KARAOKE BARS AND SIMILAR
ESTABLISHMENTS**

For a licence to perform, at any time and as often as desired in the years 2005 to 2007, any or all of the works in SOCAN's repertoire, by means of karaoke machines at karaoke bars and similar establishments, the annual fee is as follows:

Establishments operating with karaoke no more than 3 days a week: \$191.24.

Establishments operating with karaoke more than 3 days a week: \$275.56.

No later than January 31 of the year covered by the licence, the establishment shall pay the applicable fee to SOCAN and report the number of days it operates with karaoke in a week.

SOCAN shall have the right to audit the licensee's books and records, on reasonable notice and during normal business hours, to verify the statements rendered and the fee payable by the licensee.

Tariff No. 21

**RECREATIONAL FACILITIES OPERATED
BY A MUNICIPALITY, SCHOOL,
COLLEGE, UNIVERSITY,
AGRICULTURAL SOCIETY OR
SIMILAR COMMUNITY ORGANIZATIONS**

For a licence to perform, at any time and as often as desired in the years 2005 to 2007, any or all of the works in SOCAN's repertoire, in a recreational facility operated by a municipality, school, college, university, agricultural society or similar community organizations, during recreational activities that would otherwise be subject to Tariff 5.A (Exhibitions and Fairs), Tariff 7 (Skating Rinks), Tariff 8 (Receptions, Conventions, Assemblies and Fashion Shows), Tariff 9 (Sports Events, including minor hockey, figure skating, roller skating, ice skating, youth figure skating carnivals and amateur rodeos), Tariff 11.A (Circuses, Ice Shows, etc.) or Tariff 19 (Fitness Activities), the annual fee is \$185.07 for each facility, if the licensee's gross revenue from these events during the year does not exceed \$15,422.88.

Payment of this fee shall be made on or before January 31 of the year covered by the licence. On or before January 31 of the following year, a report shall be submitted to SOCAN confirming that the licensee's gross revenue from the events covered by this tariff during the year do not exceed \$15,422.88.

en vertu de ce rapport devra être versée à la SOCAN. Si le coût de la licence est inférieur au montant déjà payé, la SOCAN portera le supplément au crédit du titulaire de la licence.

La SOCAN aura le droit de vérifier les livres et registres du titulaire de la licence durant les heures de bureau régulières, moyennant un préavis raisonnable, afin de confirmer les rapports soumis par le titulaire de la licence et la redevance exigible de ce dernier.

Tarif n° 20

**BARS KARAOKÉ ET ÉTABLISSEMENTS
DU MÊME GENRE**

Pour une licence permettant l'exécution, en tout temps et aussi souvent que désiré durant les années 2005 à 2007, de l'une ou de la totalité des œuvres faisant partie du répertoire de la SOCAN, au moyen d'appareils karaoké, dans un bar karaoké ou un établissement du même genre, la redevance annuelle s'établit comme suit :

Établissements avec karaoké ouverts 3 jours ou moins par semaine : 191,24 \$

Établissements avec karaoké ouverts plus de 3 jours par semaine : 275,56 \$

Au plus tard le 31 janvier de l'année visée par la licence, le titulaire de la licence verse à la SOCAN la redevance applicable, accompagnée d'un rapport spécifiant le nombre de jours d'opération avec karaoké par semaine de l'établissement.

La SOCAN peut vérifier les livres et registres du titulaire de la licence durant les heures de bureau régulières, moyennant un préavis raisonnable, afin de confirmer les rapports soumis par le titulaire de la licence et la redevance exigible de ce dernier.

Tarif n° 21

**INSTALLATIONS RÉCRÉATIVES EXPLOITÉES
PAR UNE MUNICIPALITÉ, UNE ÉCOLE,
UN COLLÈGE, UNE UNIVERSITÉ, UNE SOCIÉTÉ
AGRICOLE OU AUTRES ORGANISATIONS
COMMUNAUTAIRES DU MÊME GENRE**

Pour une licence permettant l'exécution, en tout temps et aussi souvent que désiré durant les années 2005 à 2007, de l'une ou de la totalité des œuvres faisant partie du répertoire de la SOCAN, dans une installation récréative exploitée par une municipalité, une école, un collège, une université, une société agricole ou autre organisation communautaire du même genre, à l'occasion d'activités récréatives qui seraient autrement assujetties au tarif 5.A (Expositions et foires), au tarif 7 (Patinoires), au tarif 8 (Réceptions, congrès, assemblées et présentations de mode), au tarif 9 (Événements sportifs, y compris le hockey mineur, le patinage artistique, le patinage sur roulettes, le patinage sur glace, les spectacles-jeunesse sur glace et les rodéos amateurs), au tarif 11.A (Cirques, spectacles sur glace, etc.) ou au tarif 19 (Exercices physiques), la redevance annuelle exigible pour chaque installation est de 185,07 \$ si les revenus bruts du titulaire de la licence pour ces événements pendant l'année n'excèdent pas 15 422,88 \$.

Le paiement de ces redevances est exigible au plus tard le 31 janvier de l'année visée par la licence. Au plus tard le 31 janvier de l'année suivante, le titulaire de la licence fournit à la SOCAN un rapport confirmant que les revenus bruts pour les événements couverts par ce tarif n'excèdent pas 15 422,88 \$.

A facility paying under this tariff is not required to pay under Tariff Nos. 5.A, 7, 8, 9, 11.A or 19, for the events covered in this tariff.

This tariff does not cover the use of music expressly covered in tariffs other than Tariffs Nos. 5.A, 7, 8, 9, 11.A or 19.

SOCAN shall have the right to audit the licensee's books and records, on reasonable notice and during normal business hours, to verify the statements rendered and the fee payable by the licensee.

Tariff No. 22

TRANSMISSION OF MUSICAL WORKS TO
SUBSCRIBERS VIA A TELECOMMUNICATIONS
SERVICE NOT COVERED UNDER
TARIFF NOS. 16 OR 17

[NOTE TO PROSPECTIVE USERS: Tariff 22 was first proposed and filed by SOCAN for the year 1996, and was again filed in the same tariff structure and formula for each of the years 1997 to 2004.

A hearing took place in 1998 that considered certain legal and jurisdictional issues prior to the determination of the tariff and rate and the Copyright Board released its Decision on October 27, 1999. SOCAN subsequently applied to the Federal Court of Appeal for judicial review of certain aspects of the Copyright Board Decision. The matter is presently before the Supreme Court of Canada.

Pending the outcome of the determination by the Courts and of the Board's further consideration of the tariff, SOCAN refiles it for 2005. However, SOCAN recognizes that modifications to the tariff may be necessary as a result of the hearings before the Board.

SOCAN reserves the right to propose changes as may be justified as a consequence of the hearing process.

It is SOCAN's intention that the tariff reflect the value of the music to all users in the communication chain. It remains SOCAN's preference that the fees be paid to SOCAN by the entities that provide end users with access to the telecommunication networks, provided, however, that if some or all access providers are determined not to be liable or otherwise do not pay the approved fees, then the tariff should provide for payment of the fees by other appropriate participants in the communication chain.]

For a licence to communicate to the public by telecommunication, in Canada, musical works forming part of SOCAN's repertoire, by a telecommunications service to subscribers by means of one or more computer(s) or other device that is connected to a telecommunications network where the transmission of those works can be accessed by each subscriber independently of any other person having access to the service, the licensee shall pay a monthly fee calculated as follows:

(a) in the case of those telecommunications services that do not earn revenue from advertisements on the service, \$0.25 per subscriber.

(b) in the case of those telecommunications services that earn revenue from advertisements on the service, 10 per cent of gross revenues, with a minimum fee of \$0.25 per subscriber.

L'installation qui verse une redevance en vertu du présent tarif n'est pas tenue de verser de redevances en vertu des tarifs n^{os} 5.A, 7, 8, 9, 11.A ou 19 à l'égard des événements visés dans le présent tarif.

Ce tarif ne couvre pas les exécutions d'œuvres expressément prévues aux tarifs autres que les tarifs 5.A, 7, 8, 9, 11.A ou 19.

La SOCAN peut vérifier les livres et registres du titulaire de la licence durant les heures de bureau régulières, moyennant un préavis raisonnable, afin de confirmer les rapports soumis par le titulaire de la licence et la redevance exigible de ce dernier.

Tarif n° 22

TRANSMISSION D'ŒUVRES MUSICALES À DES
ABONNÉS PAR LE BIAIS D'UN SERVICE DE
TÉLÉCOMMUNICATIONS NON VISÉ PAR
LE TARIF 16 OU LE TARIF 17

[AVIS AUX UTILISATEURS ÉVENTUELS : Le tarif n° 22 a été déposé pour la première fois par la SOCAN en vue de l'année 1996. Un tarif identique, tant au niveau de la structure que de la formule d'application, a été déposé pour les années 1997 à 2004.

Des audiences concernant certaines questions juridiques et de compétence ont été tenues en 1998 avant la détermination du tarif et du taux applicable. La décision de la Commission a été émise le 27 octobre 1999. Subséquemment, la SOCAN déposa une demande de révision judiciaire à la Cour d'appel fédérale concernant certains aspects de la décision de la Commission. La décision de celle-ci fait maintenant l'objet de procédures devant la Cour suprême du Canada.

En attendant le résultat des procédures judiciaires et la continuation de l'examen de la Commission, la SOCAN dépose le tarif à nouveau pour l'année 2005. Cependant, la SOCAN reconnaît que certaines modifications au tarif pourraient s'avérer nécessaires en conséquence des procédures devant la Commission.

La SOCAN se réserve le droit de proposer tout changement au tarif qui serait justifié en vertu du processus d'audiences.

L'intention de la SOCAN est d'obtenir l'homologation d'un tarif qui reflète la valeur de la musique à tous les utilisateurs de la chaîne de communication. La préférence de la SOCAN demeure toujours que la redevance soit payable par les entités qui fournissent, aux utilisateurs ultimes, accès aux réseaux de télécommunications, pourvu que, s'il est déterminé que les fournisseurs d'accès, ou certains d'entre eux, n'ont aucune responsabilité, ou que ceux-ci refusent autrement de payer la redevance, alors le tarif devrait prévoir le paiement de celle-ci par d'autres participants compétents de la chaîne de communication.]

Pour une licence permettant la communication au public par télécommunication, au Canada, des œuvres faisant partie du répertoire de la SOCAN, à des abonnés par le biais d'un service de télécommunications à l'aide d'un ordinateur ou d'un autre appareil raccordé à un réseau de télécommunications, lorsque chaque abonné peut avoir accès à la transmission de ces œuvres de manière indépendante par rapport à toute autre personne ayant accès au service, le titulaire de la licence paie une redevance mensuelle calculée comme suit :

a) pour les services de télécommunications qui ne touchent aucun revenu provenant de publicité sur le service : 0,25 \$ par abonné;

b) pour les services de télécommunications qui touchent des revenus provenant de publicité sur le service : 10 pour cent des revenus bruts, sujet à une redevance minimale de 0,25 \$ par abonné.

“Telecommunications service” includes a service known as a computer on-line service, an electronic bulletin board service (BBS), a Web site, a network server or a service provider or similar operation that provides for or authorizes the digital encoding, random access and/or storage of musical works or portions of musical works in a digitally encoded form for the transmission of those musical works in digital form via a telecommunications network or that provides access to such a telecommunications network to a subscriber’s computer or other device that allows the transmission of material to be accessed by each subscriber independently of any other person having access to the service. “Telecommunications service” shall not include a “music supplier” covered under Tariff 16 or a “transmitter” covered under Tariff 17.

“Subscriber” means a person who accesses or is contractually entitled to access the service or content provided by the telecommunication service in a given month.

“Gross revenues” includes the total of all amounts paid by subscribers for the right to access the transmissions of musical works and all amounts paid for the preparation, storage or transmission of advertisements on the service.

“Advertisements on the service” includes any sponsorship announcement, trade-mark, commercial message or advertisement displayed, communicated or accessible during connection to or with the service or to which the subscriber’s attention is directly or indirectly guided by means of a hypertext link or other means.

The fee shall be paid within 10 days of the end of each month together with a report of the number of subscribers and the gross revenues described above for the relevant month.

SOCAN shall have the right to audit the licensee’s books and records, on reasonable notice and during normal business hours, to verify the statements rendered and the fee payable by the licensee.

Tariff No. 23

HOTEL AND MOTEL ROOM SERVICES NOT COVERED BY TARIFF 17.A OR SOCAN’S PAY AUDIO SERVICES TARIFF

[NOTE: In light of suggestions by representatives of the hotel industry that royalties payable pursuant to Tariff 23 should be paid by the service providers rather than the hotel establishments, SOCAN has removed the words “by the establishment” in the first paragraph of the proposed tariff, as originally filed for the year 1999, in order to allow full consideration of this issue by the Board.]

For a licence to communicate to the public by telecommunication, at any time and as often as desired in 2005, any or all of the works in SOCAN’s repertoire, as part of hotel and motel room services not covered by Tariff 17 or SOCAN’s Pay Audio Services Tariff, the fee payable shall be:

- (a) 2.1 per cent of the amount paid by guests for television services, plus
- (b) 12.35 per cent of the amount paid by guests for audio services, with a minimum fee of \$1.05 per month per hotel/motel room.

« Service de télécommunications » s’entend notamment d’un service d’ordinateur interactif, d’un service de babillard électronique (BE), un site Web, d’un serveur de réseau ou d’un fournisseur de service ou d’une installation comparable permettant ou sanctionnant l’encodage numérique, l’accès sélectif et/ou la mémorisation d’œuvres musicales ou de portions d’œuvres musicales numériquement codées en vue de leur transmission, sous une forme numérique, par le biais d’un réseau de télécommunications ou qui permet l’accès à un tel réseau de télécommunications à l’ordinateur d’un abonné ou à un autre appareil permettant à cet abonné d’avoir accès à la transmission de matériel de manière indépendante par rapport à toute autre personne ayant accès au service. L’expression « service de télécommunications » n’englobe cependant pas un « fournisseur de musique » visé par le tarif 16, ni un « transmetteur » visé par le tarif 17.

« Abonnés » s’entend de toute personne qui a accès ou qui a droit d’accéder, en vertu d’un contrat, au service ou au contenu fourni par le service de télécommunications dans un mois donné.

« Revenus bruts » s’entend notamment du total de toutes les sommes payées par les abonnés pour avoir droit d’accès aux transmissions d’œuvres musicales ainsi que de tout montant payé pour la préparation, mémorisation ou transmission de publicité sur le service.

« Publicité sur le service » s’entend notamment de toute annonce de commandite, marque de commerce, message commercial ou publicité affichée, communiquée ou accessible pendant la connexion au ou avec le service ou auquel l’attention de l’abonné est directement ou indirectement dirigée, par le biais d’un lien hypertexte ou par un autre moyen.

La redevance doit être versée dans les 10 jours suivant la fin du mois visé, et ce versement doit être accompagné d’un rapport faisant état du nombre d’abonnés et du montant total des revenus bruts tels que décrits dans ce tarif pour le mois visé.

La SOCAN aura le droit de vérifier les livres et registres du titulaire de la licence pendant les heures de bureau régulières, moyennant un préavis raisonnable, afin de confirmer les rapports soumis par le titulaire de la licence et la redevance exigible de ce dernier.

Tarif n° 23

SERVICES D’HÔTEL ET DE MOTEL NON RÉGIS PAR LE TARIFF N° 17.A OU LE TARIFF POUR LES SERVICES SONORES PAYANTS

[AVIS : Les représentants de l’industrie hôtelière suggèrent que les redevances exigibles en vertu du tarif 23 soient payables par les fournisseurs de services plutôt que les hôtels. Afin de permettre à la Commission du droit d’auteur d’entreprendre une étude complète de cette question, la SOCAN soumet le tarif 23 sans les mots « par l’établissement » qui figuraient dans le premier paragraphe de la version originale du tarif, tel qu’il a été déposé pour l’année 1999.]

Pour une licence permettant la communication au public par télécommunication, en tout temps et aussi souvent que désiré en 2005, de l’une ou de la totalité des œuvres faisant partie du répertoire de la SOCAN, comme partie des services d’hôtel et de motel non régis par le tarif 17 ou le tarif de la SOCAN pour les Services Sonores Payants, la redevance payable sera comme suit :

- a) 2,1 pour cent des sommes versées par les clients pour les services de télévision, plus
- b) 12,35 pour cent des sommes versées par les clients pour les services sonores, sujet à une redevance minimale de 1,05 \$ par mois pour chaque chambre d’hôtel/motel.

No later than January 31, 2005, the licensee shall pay to SOCAN the estimated fee owing for 2005. The payment shall be based on and accompanied by a report showing the number of hotel/motel rooms in the establishment and an estimate of the amount expected to be paid by guests for the services during 2005.

No later than January 31, 2006, the licensee shall file with SOCAN a report showing the number of hotel/motel rooms in the establishment and the actual amount paid by guests for the services during 2005 and an adjustment of the licence fee shall be made accordingly. Any additional monies owed shall then be paid to SOCAN; if the fee due is less than the amount paid, SOCAN shall credit the licensee with the amount of the overpayment.

SOCAN shall have the right to audit the licensee's books and records, on reasonable notice and during normal business hours, to verify the statements rendered and the fee payable by the licensee.

Tariff No. 24

RINGTONES

For a licence to communicate to the public by telecommunication, at any time and as often as desired in 2005, musical works of SOCAN's repertoire incorporated into telephone or other ringtones, in connection with the supply of ringtones by a ringtone supplier to its subscribers, the ringtone supplier shall pay SOCAN 10 per cent of the ringtone supplier's revenue, subject to a minimum fee of 20 cents per ringtone supplied.

"Revenue" means the sum of all monies paid by subscribers for the ringtones, whether directly to the ringtone supplier or to other persons, and the fair market value of all goods or services received by the ringtone supplier from any source in lieu of cash payments for the ringtones.

"Ringtone supplier" means the person supplying or authorizing the supply of ringtones to subscribers.

"Subscriber" means a person who accesses or is contractually entitled to access the ringtone supplier's service.

The fee shall be paid within 10 days of the end of each quarter together with a report of the number of subscribers and the total revenues described above for the relevant quarter.

SOCAN shall have the right to audit the licensee's books and records, on reasonable notice and during normal business hours, to verify the statements rendered and the fee payable by the licensee.

Tariff No. 25

DIRECT MULTI-CHANNEL SUBSCRIPTION AUDIO SERVICES

For a monthly licence to communicate to the public by telecommunication, at any time and as often as desired in 2005, for private and domestic use, any or all of the works in SOCAN's repertoire in connection with the direct transmission by a programming undertaking of a multi-channel subscription audio service to subscribers, the programming undertaking shall pay

Au plus tard le 31 janvier 2005, le titulaire de la licence verse à la SOCAN la redevance qu'il estime devoir payer pour la licence en 2005. Cette somme est basée sur un rapport fourni par le titulaire de la licence, établissant le nombre de chambres d'hôtel/motel dans l'établissement et estimant les sommes versées, telles qu'elles sont prévues pour 2005.

Au plus tard le 31 janvier 2006, le titulaire de la licence soumet à la SOCAN un rapport établissant le nombre de chambres d'hôtel/motel dans l'établissement et les sommes réellement versées par les clients pour les services en 2005 et le coût de la licence est ajusté en conséquence. Le paiement de toute somme due accompagne le rapport; si le coût de la licence est inférieur au montant déjà payé, la SOCAN porte le supplément au crédit du titulaire de la licence.

La SOCAN peut vérifier les livres et registres du titulaire de la licence durant les heures de bureau régulières, moyennant un préavis raisonnable, afin de confirmer les rapports soumis par le titulaire de la licence et la redevance exigible de ce dernier.

Tarif n° 24

SONNERIES

Pour une licence permettant la communication au public par télécommunication des œuvres faisant partie du répertoire de la SOCAN en 2005, lorsque ces œuvres sont incorporées au sein de sonneries (téléphoniques ou autres), transmises à des abonnés par un fournisseur de service de sonneries, le fournisseur remet à la SOCAN 10 pour cent de ses revenus, sous réserve d'une redevance minimale de 0,20 \$ par sonnerie fournie.

« revenus » s'entend du total de toutes les sommes payées par les abonnés, directement au fournisseur ou à toute autre personne, ainsi que la juste valeur marchande de tous les biens et services reçus par le fournisseur de toute personne au lieu de paiements monétaires pour les sonneries.

« fournisseur de service de sonneries » s'entend de la personne qui fournit ou qui autorise la fourniture de sonneries à des abonnés.

« abonné » s'entend de toute personne qui a accès ou qui a droit d'accéder, en vertu d'un contrat, le service de sonneries du fournisseur.

La redevance doit être versée dans les 10 jours suivant la fin du trimestre visé, et ce versement doit être accompagné d'un rapport faisant état du nombre d'abonnés et du montant total des revenus tels qu'ils sont décrits dans ce tarif pour le trimestre visé.

La SOCAN peut vérifier les livres et registres du titulaire de la licence durant les heures de bureau régulières, moyennant un préavis raisonnable, afin de confirmer les rapports soumis par le titulaire de la licence et la redevance exigible de ce dernier.

Tarif n° 25

SERVICES SONORES À CANAUX MULTIPLES TRANSMIS DIRECTEMENT AUX ABONNÉS

Pour une licence mensuelle permettant la communication au public par télécommunication en tout temps et aussi souvent que désiré en 2005 à des fins privées ou domestiques, de l'une ou de la totalité des œuvres faisant partie du répertoire de la SOCAN, dans le cadre de la transmission de services sonores à canaux multiples transmis directement aux abonnés par une entreprise de

SOCAN 25 per cent of the programming undertaking's gross income for the second month before the month for which the licence is issued.

"Gross income" means the gross amounts payable by subscribers for the programming service and any other amounts payable to the programming undertaking by any person for the use of one or more of the broadcasting services or facilities provided by the programming undertaking, including but not limited to advertising and sponsorship revenue.

No later than the day before the first day of the month for which the licence is issued, the programming undertaking shall pay the royalty and report the programming undertaking's gross income and total number of subscribers for the second month before the month for which the licence is issued.

The programming undertaking shall keep and preserve, for a period of six years after the end of the month to which they relate, records from which its gross income can be readily ascertained. SOCAN may audit these records at any time within the six-year period, on reasonable notice and during normal business hours. SOCAN shall, upon receipt, supply a copy of the report of the audit to the programming undertaking which was the object of the audit. If an audit discloses that royalties due to SOCAN have been understated in any month by more than ten per cent, the programming undertaking which was the object of the audit shall pay the reasonable costs of the audit within 30 days of the demand for such payment.

The programming undertaking shall also report to SOCAN the sequential lists of all recordings played on each audio channel. Each entry list shall mention the title of the musical work, the name of the author or composer of the work, the name of the performers or of the performing group, the title of the record album and the record label. The information shall be provided for a period of seven consecutive days for each month, no later than on the last day of the following month. It shall be provided in electronic format where available.

This tariff does not apply to music uses covered by other tariffs, including SOCAN Tariffs 16, 18, 22 or SOCAN's Pay Audio Services Tariff.

programmation, la redevance payable par l'entreprise de programmation est de 25 pour cent des revenus bruts de celle-ci, pour le mois antérieur au mois qui précède celui pour lequel la licence est émise.

« revenus bruts » s'entend des sommes brutes payables par les abonnés du service et tout autre somme payable à l'entreprise de programmation par toute personne pour l'utilisation d'une ou de plusieurs des installations ou services de diffusion offerts par l'entreprise de programmation, y compris les recettes publicitaires et de commandite.

Au plus tard le jour avant le premier du mois pour lequel la licence est émise, l'entreprise de programmation versera la redevance exigible, accompagnée d'un rapport établissant ses revenus bruts et le nombre total de ses abonnés pour le mois antérieur au mois qui précède celui pour lequel la licence est émise.

L'entreprise de programmation tient et conserve, durant six années après la fin du mois auquel ils se rapportent, les registres permettant de déterminer facilement ses revenus bruts. La SOCAN peut vérifier ces registres à tout moment durant cette période, durant les heures régulières de bureau et moyennant un préavis raisonnable. Dès qu'elle reçoit un rapport de vérification, la SOCAN en fait parvenir une copie à l'entreprise ayant fait l'objet de la vérification. Si la vérification révèle que les redevances ont été sous-estimées de plus de dix pour cent pour un mois quelconque, l'entreprise ayant fait l'objet de la vérification en acquitte les coûts raisonnables dans les 30 jours suivant la date à laquelle on lui en fait la demande.

L'entreprise de programmation fournit aussi à la SOCAN la liste séquentielle des enregistrements communiqués sur chaque canal sonore. Chaque inscription mentionne le titre de l'œuvre musicale, le nom de l'auteur ou du compositeur de l'œuvre, celui des artistes-interprètes ou du groupe d'interprètes, le titre de l'album et la maison de disque. L'information est fournie pour une période de sept jours consécutifs une fois par mois, au plus tard le dernier jour du mois suivant. Dans la mesure du possible, elle est fournie en format numérique.

Ce tarif ne couvre pas les exécutions d'œuvres expressément prévues par d'autres tarifs, y compris les tarifs 16, 18, 22 et le tarif pour les services sonores payants.

Supplement
Canada Gazette, Part I
May 1, 2004



Supplément
Gazette du Canada, Partie I
Le 1^{er} mai 2004

COPYRIGHT BOARD

**COMMISSION DU DROIT
D'AUTEUR**

**Statement of Proposed Royalties to Be
Collected by SOCAN for the
Communication to the Public by
Telecommunication, in Canada, of
Musical or Dramatico-Musical Works
for the Year 2005**

**Projet de tarifs des redevances à percevoir
par la SOCAN pour la communication
au public par télécommunication,
au Canada, d'œuvres musicales
ou dramatico-musicales
pour l'année 2005**

Tariff No. 2.A
(Commercial Radio Stations)

Tarif n^o 2.A
(Stations de télévision commerciales)

Tariff No. 17
(Pay, Specialty and Other Television Services)

Tarif n^o 17
(Services de télévision payante, services spécialisés
et autres services de télévision)

COPYRIGHT BOARD

FILE: Public Performance of Musical Works 2005

Statement of Proposed Royalties to Be Collected by SOCAN for the Communication to the Public by Telecommunication, in Canada, of Musical or Dramatico-Musical Works

In accordance with subsection 67.1(5) and section 70.14 of the *Copyright Act*, the Copyright Board hereby publishes the statement of royalties filed by the Society of Composers, Authors and Music Publishers of Canada (SOCAN) on March 31, 2004, with respect to royalties that it proposes to collect, effective January 1, 2005, for the communication to the public by telecommunication, in Canada, of musical or dramatico-musical works in respect of Tariff No. 2.A (Television — Commercial Stations) and Tariff No. 17 (Transmission of Pay, Specialty and Other Television Services by Distribution Undertakings).

In accordance with the provisions of the same subsection and section, the Board hereby gives notice that all prospective users or their representative who wish to object to the statement may file written objections with the Board, at the address indicated below, within 60 days of the publication hereof, that is no later than June 30, 2004.

Ottawa, May 1, 2004

CLAUDE MAJEAU

Secretary General

56 Sparks Street, Suite 800

Ottawa, Ontario

K1A 0C9

(613) 952-8621 (telephone)

(613) 952-8630 (facsimile)

majeau.claude@cb-cda.gc.ca (electronic mail)**COMMISSION DU DROIT D'AUTEUR**

DOSSIER : Exécution publique d'œuvres musicales 2005

Projet de tarifs des redevances à percevoir pour la communication au public par télécommunication, au Canada, d'œuvres musicales ou dramatico-musicales

Conformément au paragraphe 67.1(5) et à l'article 70.14 de la *Loi sur le droit d'auteur*, la Commission du droit d'auteur publie le projet de tarifs que la Société canadienne des auteurs, compositeurs et éditeurs de musique (SOCAN) a déposé auprès d'elle le 31 mars 2004 relativement aux redevances qu'elle propose de percevoir à compter du 1^{er} janvier 2005 pour la communication au public par télécommunication, au Canada, d'œuvres musicales ou dramatico-musicales, à l'égard du tarif n° 2.A (Télévision — Stations commerciales) et le tarif n° 17 (Transmission de services de télévision payante, services spécialisés et autres services par des entreprises de distribution).

Conformément aux dispositions du même paragraphe et du même article, la Commission donne avis, par les présentes, que tout utilisateur éventuel intéressé, ou son représentant, désirant s'opposer audit projet de tarif doit déposer son opposition auprès de la Commission, par écrit, à l'adresse apparaissant ci-dessous, dans les 60 jours de la présente publication, soit au plus tard le 30 juin 2004.

Ottawa, le 1^{er} mai 2004*Le secrétaire général*

CLAUDE MAJEAU

56, rue Sparks, Bureau 800

Ottawa (Ontario)

K1A 0C9

(613) 952-8621 (téléphone)

(613) 952-8630 (télécopieur)

majeau.claude@cb-cda.gc.ca (courrier électronique)

STATEMENT OF ROYALTIES TO BE COLLECTED BY THE
SOCIETY OF COMPOSERS, AUTHORS AND MUSIC
PUBLISHERS OF CANADA (SOCAN)

in compensation for the right to communicate to the public by telecommunication, in Canada, musical or dramatico-musical works forming part of its repertoire.

GENERAL PROVISIONS

All royalties payable under this tariff are exclusive of any federal, provincial or other governmental taxes or levies of any kind.

Every SOCAN licence shall subsist according to the terms set out therein. SOCAN shall have the right at any time to terminate a licence for breach of terms or conditions upon 30 days notice in writing.

Tariff No. 2

TELEVISION

A. *Commercial Stations*

[NOTE TO PROSPECTIVE USERS: Tariff 2.A was certified by the Copyright Board for the years 1998 to 2004 on March 20, 2004. The 2004 tariff sets the applicable rate at 1.9% of a station's gross income and includes modified blanket licence (MBL) provisions. SOCAN had proposed a higher rate while objectors had sought to have the rate decreased.

SOCAN files Tariff 2.A for 2005 in the same format as that approved by the Board for 2004. However, since the period for judicial review of the Board's decision is open as of the filing date of this tariff, the tariff is filed at the rate of 2.1%. SOCAN nevertheless invites prospective users to consider a moratorium on Tariff 2.A for the year 2005 and a continuation for 2005 of the recently approved tariff as to both format and the 1.9% rate. SOCAN would be pleased to discuss its proposal and any related issues with Tariff 2.A users at their convenience.]

Definitions

1. In this tariff,

“ambient music” means music unavoidably picked up in the background when an event is videotaped or broadcasted. (*musique ambiante*)

“cleared music” means any music, other than ambient music or production music, in respect of which a station does not require a licence from SOCAN. (*musique affranchie*)

“cleared program” means

(a) if the only cleared music contained in the program is music that was cleared before 60 days after the publication of this tariff, a program containing no music other than cleared music, ambient music or production music,

(b) if not, a program produced by a Canadian programming undertaking and containing no music other than cleared music, ambient music or production music. (*émission affranchie*)

“gross income” means the gross amount paid by any person for the use of one or more broadcasting services or facilities provided by the station's operator, whether such amounts are paid to the station owner or operator or to other persons, excluding the following:

TARIF DES REDEVANCES QUE LA SOCIÉTÉ
CANADIENNE DES AUTEURS, COMPOSITEURS ET
ÉDITEURS DE MUSIQUE (SOCAN) PEUT PERCEVOIR

en compensation pour la communication au public par télécommunication, au Canada, d'œuvres musicales ou dramatico-musicales faisant partie de son répertoire.

DISPOSITIONS GÉNÉRALES

Les redevances exigibles en vertu du présent tarif ne comprennent ni les taxes fédérales, provinciales ou autres, ni les prélèvements d'autre genre qui pourraient s'appliquer.

Chaque licence de la SOCAN reste valable en fonction des conditions qui y sont énoncées. La SOCAN peut, en tout temps, mettre fin à toute licence sur préavis écrit de 30 jours pour violation des modalités de la licence.

Tarif n° 2

TÉLÉVISION

A. *Stations commerciales*

[AVIS AUX UTILISATEURS ÉVENTUELS : Le tarif 2.A a été homologué par la Commission du droit d'auteur le 20 mars 2004 pour les années 1998 à 2004. Pour 2004, le tarif prévoit un taux de 1,9 % des revenus bruts d'une station ainsi que des dispositions permettant l'application d'une licence générale modifiée. La SOCAN avait proposé un taux plus élevé, alors que les opposants préconisaient une réduction.

La SOCAN dépose le tarif 2.A pour l'année 2005 dans un format identique à celui homologué par la Commission pour 2004. Cependant, la période prescrite pour les demandes en révision judiciaire demeure ouverte en date du présent dépôt, le tarif est donc déposé avec un taux de 2,1 %. Toutefois, la SOCAN invite les utilisateurs éventuels à considérer un moratoire sur le tarif 2.A pour 2005 et la continuation du tarif homologué par la Commission pour 2004 en ce qui concerne le format et le taux de 1,9 %. La SOCAN se met à la disposition des usagers du tarif 2.A s'ils désirent considérer cette possibilité.]

Définitions

1. Les définitions qui suivent s'appliquent au présent tarif :

« émission affranchie »

a) Émission contenant uniquement de la musique ambiante, de production ou affranchie, si la seule musique affranchie que contient l'émission l'était au plus tard 60 jours après la publication du présent tarif,

b) Sinon, émission produite par une entreprise de distribution canadienne contenant uniquement de la musique ambiante, de production ou affranchie. (*cleared program*)

« entreprise de programmation » Entreprise de distribution telle qu'elle est définie dans la *Loi sur la radiodiffusion*, L.C. 1991, ch. 11. (*programming undertaking*)

« musique affranchie » Musique, autre que de la musique ambiante ou de production, pour laquelle la station n'a pas besoin d'une licence de la SOCAN. (*cleared music*)

« musique ambiante » Musique captée de façon incidente lorsqu'un événement est diffusé ou enregistré. (*ambient music*)

« musique de production » Musique incorporée dans la programmation interstitielle, tels les messages publicitaires, les messages d'intérêt public et les ritournelles. (*production music*)

« revenus bruts » Sommes brutes payées pour l'utilisation d'une ou de plusieurs des installations ou services de diffusion

(a) any such amounts received by a person other than the operator or owner of the station which form part of the base for calculation of the SOCAN royalty payable by such other person under this or another tariff.

(b) income accruing from investments, rents or any other business unrelated to the station's broadcasting activities. However, income accruing from any allied or subsidiary business that is a necessary adjunct to the station's broadcasting services and facilities or which results in their being used shall be included in the "gross income."

(c) amounts received for the production of a program that is commissioned by someone other than the licensee and which becomes the property of that person.

(d) the recovery of any amount paid to obtain the exclusive national or provincial broadcast rights to a sporting event, if the licensee can establish that the station was also paid normal fees for station time and facilities. SOCAN may require the production of the contract granting these rights together with the billing or correspondence relating to the use of these rights by other parties.

(e) amounts received by an originating station acting on behalf of a group of stations which do not constitute a permanent network and which broadcast a single event, simultaneously or on a delayed basis, that the originating station pays out to the other stations participating in the broadcast. These amounts paid to each participating station are part of that station's "gross income." (*revenus bruts*)

"production music" means music contained in interstitial programming such as commercials, public service announcements and jingles. (*musique de production*)

"programming undertaking" means a programming undertaking as defined in the *Broadcasting Act*, S.C. 1991, ch. 11. (*entreprise de programmation*)

Application

2. (1) This tariff applies to licences for the communication to the public by telecommunication by a broadcast television station, at any time and as often as desired in the year 2005, for private or domestic use, of any or all of the works in SOCAN's repertoire.

(2) This tariff does not apply to stations owned and operated by the Canadian Broadcasting Corporation or licensed under a different tariff.

Election of Licence

3. (1) A station can elect for the standard or modified blanket licence.

(2) A station's election must be in writing, and must be received by SOCAN at least 30 days before the first day of the month for which the election is to take effect.

(3) A station's election remains valid until it makes a further election.

(4) A station can make no more than two elections in a calendar year.

(5) A station that has never made an election is deemed to have elected for the standard blanket licence.

Standard Blanket Licence

4. (1) A station that has elected for the standard blanket licence shall pay 2.1 per cent of the station's gross income for the second month before the month for which the licence is issued.

offerts par l'exploitant de la station, peu importe si ces montants sont payés au propriétaire ou à l'exploitant de la station ou à une autre personne, à l'exclusion des sommes suivantes :

a) les montants reçus par une personne autre que le propriétaire ou l'exploitant de la station et qui font partie de la base de calcul de la redevance payable à la SOCAN par cette autre personne en vertu du présent tarif ou d'un autre tarif.

b) les revenus provenant d'investissements, de loyers ou d'autres sources non reliées aux activités de diffusion. Il est entendu que les revenus provenant d'activités indirectement reliées ou associées aux activités de diffusion, qui en sont le complément nécessaire, ou ayant comme conséquence l'utilisation des services et installations de diffusion, font partie des « revenus bruts ».

c) les sommes versées pour la réalisation d'une émission pour le compte d'une personne autre que le titulaire de la licence et qui en devient le propriétaire.

d) les sommes reçues en recouvrement du coût d'acquisition de droits exclusifs, nationaux ou provinciaux, de diffusion d'événements sportifs, dans la mesure où le titulaire de la licence établit que la station a aussi perçu des revenus normaux pour l'utilisation du temps d'antenne et des installations de la station. La SOCAN aura le droit d'exiger la production du contrat d'acquisition de ces droits, ainsi que des factures ou autres documents se rattachant à l'usage de ces droits par des tiers.

e) les sommes reçues par une station source agissant pour le compte d'un groupe de stations qui ne constituent pas un réseau permanent et qui diffusent, simultanément ou en différé, un événement particulier, que la station source remet aux autres stations participant à la diffusion. Les sommes ainsi remises à chaque station participante font partie des « revenus bruts » de cette station participante. (*gross income*)

Application

2. (1) Le présent tarif vise les licences pour la communication au public par télécommunication en tout temps et aussi souvent que désiré durant l'année 2005 à des fins privées ou domestiques, de l'une ou de la totalité des œuvres faisant partie du répertoire de la SOCAN sur les ondes d'une station de télévision commerciale.

(2) Les stations de télévision qui appartiennent en propre à la Société Radio-Canada, de même que celles qui sont expressément assujetties à un autre tarif, ne sont pas assujetties au présent tarif.

Option

3. (1) Une station peut opter pour la licence générale standard ou modifiée.

(2) L'option s'exerce par écrit. La SOCAN doit la recevoir au moins 30 jours précédant le premier jour du mois au cours duquel elle prend effet.

(3) Il est mis fin à une option en exerçant une autre option.

(4) Une station a droit à deux options par année civile.

(5) La station qui n'a jamais exercé d'option est réputée avoir opté pour la licence générale standard.

La licence générale standard

4. (1) La station qui opte pour la licence générale standard verse 2,1 pour cent des revenus bruts de la station pour le mois antérieur au mois qui précède le mois pour lequel la licence est émise.

(2) No later than the day before the first day of the month for which the licence is issued, the station shall pay the fee, and report the station's gross income for the second month before the month for which the licence is issued.

Modified Blanket Licence (MBL)

5. (1) A station that has elected for the modified blanket licence shall pay the amount calculated in accordance with Form A.

(2) No later than the last day of the month after the month for which the licence is issued, the station shall

- (i) provide to SOCAN, using Form A, a report of the calculation of its licence fee,
- (ii) provide to SOCAN, using Form B, reports identifying, in respect of each cleared program, the music used in that program,
- (iii) provide to SOCAN any document supporting its claim that the music identified in Form B is cleared music, or a reference to that document, if the document was provided previously, and
- (iv) pay the amount payable pursuant to subsection (1).

Audit Rights

6. SOCAN shall have the right to audit any licensee's books and records, on reasonable notice and during normal business hours, to verify the statements and reports rendered and the fee payable by the licensee.

MBL: Incorrect Cleared Program Claims

7. Amounts paid pursuant to lines C and D of Form A on account of a program that a station incorrectly claimed as a cleared program are not refundable.

Interest on Late Payments

8. Any amount not received by the due date shall bear interest from that date until the date the amount is received. Interest shall be calculated daily at a rate equal to one per cent above the Bank Rate effective on the last day of the previous month (as published by the Bank of Canada). Interest shall not compound.

(2) Au plus tard le jour précédant le premier jour du mois pour lequel la licence est émise, le titulaire de la licence verse la redevance exigible, accompagnée d'un rapport établissant les revenus bruts de la station pour le mois antérieur au mois qui précède celui pour lequel la licence est émise.

La licence générale modifiée (LGM)

5. (1) La station qui opte pour la licence générale modifiée verse la redevance établie selon le formulaire A.

(2) Au plus tard le dernier jour du mois suivant celui à l'égard duquel la licence est émise, la station

- (i) fournit à la SOCAN un rapport établissant, selon le formulaire A, le montant de sa redevance,
- (ii) fournit à la SOCAN des rapports établis selon le formulaire B, précisant, à l'égard de chaque émission affranchie, la musique utilisée durant l'émission,
- (iii) fournit à la SOCAN les documents sur lesquels elle se fonde pour dire que les œuvres énumérées dans le formulaire B sont de la musique affranchie, ou une référence à ces documents s'il ont été fournis auparavant, et
- (iv) verse la redevance visée au paragraphe (1).

Vérification

6. La SOCAN peut vérifier les livres et registres du titulaire de la licence durant les heures de bureau régulières, moyennant un préavis raisonnable, afin de confirmer les rapports soumis par le titulaire de la licence et la redevance exigible de ce dernier.

LGM : déclarations erronées d'émissions affranchies

7. Les sommes payées en application des lignes C et D du formulaire A à l'égard de l'émission que la station a erronément déclaré être une émission affranchie ne sont pas remboursables.

Intérêts sur paiements tardifs

8. Toute somme non payée à son échéance porte intérêt à compter de la date à laquelle elle aurait dû être acquittée jusqu'à la date où elle est reçue. L'intérêt est calculé quotidiennement, à un taux de un pour cent au-dessus du taux officiel d'escompte de la Banque du Canada en vigueur le dernier jour du mois précédent (tel qu'il est publié par la Banque du Canada). L'intérêt n'est pas composé.

FORM A

CALCULATION OF LICENCE FEE FOR A MODIFIED BLANKET LICENCE (MBL) FOR THE MONTH OF _____

Payment on account of cleared programs

— to account for additional expenses incurred by SOCAN because of the availability of the MBL: $3\% \times 2.1\% \times$
gross income from all programs (A) _____

— to account for the fact that stations that use the MBL pay royalties two months later than other stations: $1\% \times$
 $2.1\% \times$ gross income from all programs (B) _____

— to account for the use of ambient and production music in cleared programs: $5\% \times 2.1\% \times$ gross income from
cleared programs (C) _____

— to account for SOCAN's general operating expenses: $22\% \times 95\% \times 2.1\% \times$ gross income from cleared
programs (D) _____

TOTAL of A + B + C + D: (E) _____

Payment on account of programs other than cleared programs

— $2.1\% \times$ gross income from all programs other than cleared programs: (F) _____

TOTAL LICENCE FEE FOR THE MONTH (E + F): (G) _____

Please remit the amount set out in (G)

FORMULAIRE A

CALCUL DE LA REDEVANCE PAYABLE EN VERTU DE LA LICENCE GÉNÉRALE MODIFIÉE (LGM) POUR LE MOIS DE _____

Paiement à l'égard de la programmation affranchie

— pour les dépenses additionnelles que la SOCAN engage au motif que la LGM est disponible : $3\% \times 2,1\% \times$
revenus totaux bruts de la station (A) _____

— pour tenir compte du fait que les stations qui optent pour la LGM versent leurs redevances deux mois plus
tard que les autres stations : $1\% \times 2,1\% \times$ revenus totaux bruts de la station (B) _____

— pour l'utilisation de la musique ambiante et de production dans la programmation affranchie : $5\% \times 2,1\% \times$
revenus bruts de la station attribuables à la programmation affranchie (C) _____

— pour les dépenses générales d'exploitation de la SOCAN : $22\% \times 95\% \times 2,1\% \times$ revenus bruts de la station
attribuables à la programmation affranchie (D) _____

TOTAL de A + B + C + D : (E) _____

Paiement à l'égard du reste de la programmation

— $2,1\% \times$ revenus bruts de la station attribuables à la programmation autre que la programmation affranchie : (F) _____

REDEVANCE TOTALE DU MOIS (E + F) : (G) _____

Veuillez payer le montant indiqué à la ligne (G)

*Tariff No. 17*TRANSMISSION OF PAY, SPECIALTY AND OTHER
TELEVISION SERVICES BY DISTRIBUTION
UNDERTAKINGS

[NOTE TO PROSPECTIVE USERS: Tariff 17 was certified by the Copyright Board for the years 2001 to 2004 on March 20, 2004. The 2004 tariff sets the applicable rate at 1.9% of a programming undertaking's gross income (0.8% for low music use programming undertakings) and includes modified blanket licence (MBL) provisions. SOCAN had proposed a higher rate while objectors had sought to have the rate decreased.

SOCAN files Tariff 17 for 2005 in the same format as that approved by the Board for 2004. However, since the period for judicial review of the Board's decision is open as of the filing date of these tariffs, the tariff is filed at the rate of 2.1% (0.9% for low music use programming undertakings). SOCAN nevertheless invites prospective users to consider a moratorium on Tariff 17 for the year 2005 and a continuation for 2005 of the recently approved tariff as to both format and rate. SOCAN would be pleased to discuss its proposal and any related issues with Tariff 17 users at their convenience.]

Definitions

1. In this tariff,

“affiliation payment” means the amount payable by a distribution undertaking to a programming undertaking for the right to carry the signal of the programming undertaking. (*paiement d'affiliation*)

“ambient music” means music unavoidably picked up in the background when an event is videotaped or broadcasted. (*musique ambiante*)

“cleared music” means any music, other than ambient music or production music, in respect of which a licence from SOCAN is not required. (*musique affranchie*)

“cleared program” means a program produced by a Canadian programming undertaking and containing no music other than cleared music, ambient music or production music. (*émission affranchie*)

“distribution undertaking” means a distribution undertaking as defined in the *Broadcasting Act*, S.C. 1991, ch. 11. (*entreprise de distribution*)

“gross income” means the gross amount paid by any person for the use of one or more broadcasting services or facilities provided by a programming undertaking, excluding the following:

(a) income accruing from investments, rents or any other business unrelated to the broadcasting activities of the programming undertaking. However, income accruing from any allied or subsidiary business that is a necessary adjunct to the broadcasting services and facilities of the programming undertaking or which results in their being used shall be included in the “gross income”.

(b) amounts received for the production of a program that is commissioned by someone other than the programming undertaking and which becomes the property of that person.

(c) the recovery of any amount paid to obtain the exclusive national or provincial broadcast rights to a sporting event, if the programming undertaking can establish that it was also paid normal fees for its time and facilities. SOCAN may require the production of the contract granting these rights together with the billing or correspondence relating to the use of these rights by other parties.

*Tarif n° 17*TRANSMISSION DE SERVICES DE TÉLÉVISION
PAYANTE, SERVICES SPÉCIALISÉS ET AUTRES
SERVICES PAR DES ENTREPRISES DE DISTRIBUTION

[AVIS AUX UTILISATEURS ÉVENTUELS : Le tarif 17 a été homologué par la Commission du droit d'auteur le 20 mars 2004 pour les années 2001 à 2004. Pour 2004, le tarif prévoit un taux de 1,9 % des revenus bruts d'une entreprise de programmation (0,8 % pour les entreprises de programmation à faible utilisation de musique), ainsi que des dispositions permettant l'application d'une licence générale modifiée. La SOCAN avait proposé un taux plus élevé, alors que les opposants préconisaient une réduction.

La SOCAN dépose le tarif 17 pour l'année 2005 dans un format identique à celui homologué par la Commission pour 2004. Cependant, la période prescrite pour les demandes en révision judiciaire demeure ouverte en date du présent dépôt, le tarif est donc déposé avec un taux de 2,1% (0,9 % pour les entreprises de programmation à faible utilisation de musique). Toutefois, la SOCAN invite les utilisateurs éventuels à considérer un moratoire sur le tarif 17 pour 2005 et la continuation du tarif homologué par la Commission pour 2004 en ce qui concerne le format et le taux. La SOCAN se met à la disposition des usagers du tarif 17 s'ils désirent considérer cette possibilité.]

Définitions

1. Les définitions qui suivent s'appliquent au présent tarif.

« année » Année civile. (*year*)

« émission affranchie » Émission produite par une entreprise de programmation canadienne et contenant uniquement de la musique ambiante, de production ou affranchie. (*cleared program*)

« entreprise de distribution » Entreprise de distribution telle qu'elle est définie dans la *Loi sur la radiodiffusion*, L.C. 1991, ch. 11. (*distribution undertaking*)

« entreprise de programmation » Entreprise de programmation telle qu'elle est définie dans la *Loi sur la radiodiffusion*. (*programming undertaking*)

« local » a le sens que lui attribue l'article 2 du *Règlement sur la définition de petit système de transmission par fil*, DORS/94-755, (*Gazette du Canada*, Partie II, vol. 128, page 4096) qui se lit comme suit :

« 'local' Selon le cas :

a) une habitation, notamment une maison unifamiliale ou un logement d'un immeuble à logements multiples;

b) une pièce d'un immeuble commercial ou d'un établissement. (*premises*) »

« mois pertinent » Mois à l'égard duquel les redevances sont payables. (*relevant month*)

« musique affranchie » Musique, autre que de la musique ambiante ou de production, pour laquelle la station n'a pas besoin d'une licence de la SOCAN. (*cleared music*)

« musique ambiante » Musique captée de façon incidente lorsqu'un événement est diffusé ou enregistré. (*ambient music*)

« musique de production » Musique incorporée dans la programmation interstitielle, tels les messages publicitaires, les messages d'intérêt public et les ritournelles. (*production music*)

« paiement d'affiliation » Montant payable par une entreprise de distribution à une entreprise de programmation pour la transmission du signal de cette dernière. (*affiliation payment*)

« petit système de transmission par fil » Petit système de transmission par fil tel qu'il est défini aux articles 3 et 4 du *Règlement sur la définition de petit système de transmission par fil*, qui se lit comme suit :

(d) amounts received by an originating programming undertaking acting on behalf of a group of programming undertakings which do not constitute a permanent network and which broadcast a single event, simultaneously or on a delayed basis, that the originating undertaking pays out to the other programming undertakings participating in the broadcast. These amounts paid to each participating undertaking are part of that undertaking's "gross income".

(e) affiliation payments. (*revenus bruts*)

"licensed area" has the meaning attributed to it in section 2 of the *Definition of "Small Cable Transmission System" Regulations*, SOR/94-755, (*Canada Gazette*, Part II, Vol. 128, page 4096), which reads:

" 'licensed area' means the area within which a licensee is authorized, under its licence, to provide services;" (*zone de desserte*)

"premises" has the meaning attributed to it in section 2 of the *Definition of "Small Cable Transmission System" Regulations*, SOR/94-755, (*Canada Gazette*, Part II, Vol. 128, page 4096), which reads:

" 'premises' means

(a) a dwelling, including a single-unit residence or a single unit within a multiple-unit residence; or

(b) a room in a commercial or institutional building." (*local*)

"programming undertaking" means a programming undertaking as defined in the *Broadcasting Act*. (*entreprise de programmation*)

"production music" means music contained in interstitial programming such as commercials, public service announcements and jingles. (*musique de production*)

"relevant month" means the month for which the royalties are payable. (*mois pertinent*)

"signal" means a television signal, other than a signal within the meaning of subsection 31(1) of the *Copyright Act* retransmitted in accordance with subsection 31(2) of the *Copyright Act*. "Signal" includes the signals of Canadian pay and specialty services, non-Canadian specialty services, community channels, and other programming and non-programming services. (*signal*)

"small cable transmission system" has the meaning attributed to it in sections 3 and 4 of the *Definition of "Small Cable Transmission System" Regulations*, which reads:

"3. (1) Subject to subsections (2) to (4) and section 4, for the purpose of subsection 67.2(1.1) [now 68.1(4)] of the *Copyright Act*, 'small cable transmission system' means a cable transmission system that transmits a signal, with or without a fee, to not more than 2,000 premises in the same licensed area.

(2) For the purpose of subsection (1), where a cable transmission system is included in the same unit as one or more other cable transmission systems, the number of premises to which the cable transmission system transmits a signal is deemed to be equal to the total number of premises to which all cable transmission systems included in that unit transmit a signal.

(3) For the purpose of subsection (2), a cable transmission system is included in the same unit as one or more other cable transmission systems where

(a) they are owned or directly or indirectly controlled by the same person or group of persons; and

(b) their licensed areas are each less than 5 km distant, at some point, from at least one other among them, and those licensed areas would constitute a series of contiguous

« 3. (1) Sous réserve des paragraphes (2) à (4) et de l'article 4, pour l'application du paragraphe 67.2(1.1) [maintenant 68.1(4)] de la *Loi sur le droit d'auteur*, "petit système de transmission par fil" s'entend d'un système de transmission par câble qui transmet un signal, à titre gratuit ou non, à au plus 2 000 locaux situés dans la même zone de desserte.

(2) Pour l'application du paragraphe (1), dans le cas d'un système de transmission par câble qui, avec un ou plusieurs autres systèmes de transmission par câble, fait partie d'une unité, le nombre de locaux auxquels ce système transmet un signal est réputé correspondre au nombre total de locaux auxquels tous les systèmes de transmission par câble de cette unité transmettent un signal.

(3) Pour l'application du paragraphe (2), font partie d'une même unité les systèmes de transmission par câble qui répondent aux critères suivants :

a) ils sont la propriété ou sous le contrôle direct ou indirect de la même personne ou du même groupe de personnes;

b) leurs zones de desserte respectives sont, à un point quelconque, à moins de 5 km d'au moins une d'entre elles et, si ce n'était de cette distance, celles-ci constitueraient une suite — linéaire ou non — de zones de dessertes contiguës.

(4) Le paragraphe (2) ne s'applique pas aux systèmes de transmission par câble qui faisaient partie d'une unité au 31 décembre 1993.

4. Est exclu de la définition figurant au paragraphe 3(1) le système de transmission par câble qui est un système à antenne collective situé dans la zone de desserte d'un autre système de transmission par câble qui transmet un signal, à titre gratuit ou non, à plus de 2 000 locaux situés dans cette zone de desserte.». (*small cable transmission system*)

« revenus bruts » Sommes brutes payées pour l'utilisation d'une ou de plusieurs des installations ou services de diffusion offerts par une entreprise de programmation, à l'exclusion des sommes suivantes :

a) les revenus provenant d'investissements, de loyers ou d'autres sources non reliées aux activités de diffusion. Il est entendu que les revenus provenant d'activités indirectement reliées ou associées aux activités de diffusion, qui en sont le complément nécessaire, ou ayant comme conséquence l'utilisation des services et installations de diffusion, font partie des « revenus bruts ».

b) les sommes versées pour la réalisation d'une émission pour le compte d'une personne autre que le titulaire de la licence et qui en devient le propriétaire.

c) les sommes reçues en recouvrement du coût d'acquisition de droits exclusifs, nationaux ou provinciaux, de diffusion d'événements sportifs, dans la mesure où l'entreprise de programmation établit qu'elle a aussi perçu des revenus normaux pour l'utilisation de son temps d'antenne et de ses installations. La SOCAN aura le droit d'exiger la production du contrat d'acquisition de ces droits, ainsi que des factures ou autres documents se rattachant à l'usage de ces droits par des tiers.

d) les sommes reçues par une entreprise de programmation source agissant pour le compte d'un groupe d'entreprises de programmation qui ne constituent pas un réseau permanent et qui diffusent, simultanément ou en différé, un événement particulier, que l'entreprise de programmation source remet aux autres entreprises de programmation participant à la diffusion. Les sommes ainsi remises à chaque entreprise participante font partie des « revenus bruts » de cette dernière.

e) les paiements d'affiliation. (*gross income*)

licensed areas, in a linear or non-linear configuration, were it not for the distance.

(4) Subsection (2) does not apply to a cable transmission system that was included in a unit on December 31, 1993.

4. The definition set out in subsection 3(1) does not include a cable transmission system that is a master antenna system located within the licensed area of another cable transmission system that transmits a signal, with or without a fee, to more than 2,000 premises in that licensed area.” (*petit système de transmission par fil*)

“TVRO” means a Television Receive Only Earth Station designed for the reception of signals transmitted by satellite. (*TVRO*)

“year” means a calendar year. (*année*)

2. For the purposes of this tariff, in respect of a cable transmission system that is exempt from licensing pursuant to the *Exemption Order for Small Cable Undertakings* (Appendix I, Public Notice CRTC 2001-121, December 7, 2001), any reference to a licensed area shall be read, effective as of

- (i) the date of cancellation of the relevant licence in the case of a system which held a licence on December 7, 2001
- (ii) the date the system begins operations in the case of all other systems

as a reference to the area in which premises lawfully served by the cable transmission system are located.

3. For the purposes of this tariff, a cable transmission system shall be deemed to be a small cable transmission system in a given year if

- (a) it is a small cable transmission system on the later of December 31 of the preceding year or the last day of the month in which it first transmits a signal in the year, or
- (b) the average number of premises, determined in accordance with the *Definition of “Small Cable Transmission System” Regulations*, the system served or was deemed to serve on the last day of each month during the preceding year was no more than 2,000.

Application

4. (1) This tariff applies to licences for the communication to the public by telecommunication, as often as desired during the year 2005, of any or all of the works in SOCAN’s repertoire, in connection with the transmission of a signal for private or domestic use.

(2) This tariff does not apply to any use of music subject to Tariff 2, 16 or 22.

Small Cable Transmission Systems and Unscrambled Low Power Television Stations

5. (1) The total royalty payable in connection with the transmission of all signals shall be \$10 a year where the distribution undertaking is

- (i) a small cable transmission system,
- (ii) an unscrambled Low Power Television Station or Very Low Power Television Station (as defined in Sections E and G of Part IV of the *Broadcast Procedures and Rules of Industry Canada* effective April 1997), or
- (iii) a terrestrial system which performs a function comparable to that of a cable transmission system which uses Hertzian waves to transmit the signals and which otherwise meets the definition of “small cable transmission system.”

« signal » Signal de télévision, autre qu’un signal visé au paragraphe 31(1) de la *Loi sur le droit d’auteur* et retransmis conformément aux dispositions du paragraphe 31(2) de la *Loi sur le droit d’auteur*. « Signal » inclut le signal d’un service canadien spécialisé, d’un service canadien de télévision payante, d’un service spécialisé non-canadien, d’un canal communautaire et d’autres services de programmation et hors programmation. (*signal*)

« TVRO » Station de télévision terrestre uniquement réceptrice qui reçoit des signaux transmis par satellite. (*TVRO*)

« zone de desserte » a le sens que lui attribue l’article 2 du *Règlement sur la définition de petit système de transmission par fil*, DORS/94-755, (*Gazette du Canada*, Partie II, vol. 128, page 4096) qui se lit comme suit :

« “zone de desserte” Zone dans laquelle le titulaire d’une licence est autorisé aux termes de celle-ci à fournir des services ». (*licensed area*)

2. Aux fins du présent tarif, s’agissant d’un système de transmission par câble visé dans l’*Ordonnance d’exemption pour les petites entreprises de câblodistribution* (annexe I, avis public CRTC 2001-121, 7 décembre 2001), toute référence à une zone de desserte est réputée être, à compter

- (i) du jour de l’annulation de la licence s’il s’agit d’un système détenant une licence le 7 décembre 2001
- (ii) du premier jour d’exploitation du système dans tous les autres cas

une référence à la zone à l’intérieur de laquelle le système dessert licitement des locaux.

3. Aux fins du présent tarif, un système de transmission par fil est réputé être un petit système de transmission par fil durant l’année donnée

- a) s’il est un petit système de transmission par fil le 31 décembre de l’année précédente ou le dernier jour du mois de l’année au cours duquel il transmet un signal pour la première fois;
- b) si le nombre moyen de locaux, établi conformément au *Règlement sur la définition de petit système de transmission par fil*, qu’il desservait ou était réputé desservir le dernier jour de chaque mois de l’année précédente ne dépasse pas 2000.

Application

4. (1) Le présent tarif vise les licences pour la communication au public par télécommunication, en tout temps et aussi souvent que désiré, pour l’année 2005, de l’une ou de la totalité des œuvres faisant partie du répertoire de la SOCAN, lors de la transmission d’un signal à des fins privées ou domestiques.

(2) Le présent tarif ne vise pas l’utilisation de musique assujettie au tarif 2, 16 ou 22.

Petits systèmes de transmission par fil et stations de télévision à faible puissance transmettant en clair

5. (1) La redevance totale payable pour la transmission de tous les signaux offerts par une entreprise de distribution est de 10 \$ par année si l’entreprise est

- (i) un petit système de transmission par fil,
- (ii) une station de télévision à faible puissance ou station de télévision à très faible puissance (au sens défini aux articles E et G de la partie IV des *Règles et procédures sur la radiodiffusion d’Industrie Canada*, en vigueur à compter d’avril 1997) transmettant en clair,
- (iii) un système terrestre dont l’activité est comparable à celle d’un système de transmission par fil, et qui constituerait un petit système s’il transmettait des signaux par câble plutôt qu’en utilisant les ondes hertziennes.

(2) The royalty payable pursuant to subsection (1) is due on January 31 of the relevant year or on the last day of the month after the month in which the system first transmits a signal in the relevant year.

(3) The following information shall be provided in respect of a system for which royalties are being paid pursuant to subsection (1):

- (a) the number of premises served on the later of December 31 of the preceding year or the last day of the month in which the system first transmitted a signal in the relevant year;
- (b) if the small cable transmission system qualifies as such by virtue of paragraph 3(b), the number of premises, determined in accordance with the *Definition of "Small Cable Transmission System" Regulations*, the system served or was deemed to serve on the last day of each month during the preceding year;
- (c) if the system is a master antenna system and is located within the service area of another cable transmission system, the name of that other system and a statement to the effect that the other system transmits a signal, with or without a fee, to no more than 2,000 premises in its licensed area; and
- (d) if the system is included in a unit within the meaning of the *Definition of "Small Cable Transmission System" Regulations*,
 - (i) the date the system was included in the unit,
 - (ii) the names of all the systems included in the unit,
 - (iii) the names of the person or group of persons who own or who directly or indirectly control the systems included in the unit, and
 - (iv) the nature of the control exercised by these persons.

Other Distribution Undertakings

6. (1) Sections 7 to 16 apply to distribution undertakings that are not subject to section 5.

(2) Unless otherwise provided, for the purposes of sections 7 to 16, any reference to a distribution undertaking, to affiliation payments or to premises served excludes systems subject to section 5 or payments made or premises served by such systems.

Community and Non-Programming Services

7. The total royalty payable in any month in respect of all community channels, non-programming services and other services generating neither affiliation payments nor gross income that are transmitted by a distribution undertaking shall be 0.14 cents per premises or TVRO served by the distribution undertaking on the last day of the relevant month.

Election of Licence

8. (1) A programming undertaking other than a service that is subject to section 7 can elect for the standard or modified blanket licence.

(2) An election must be in writing, and must be received by SOCAN at least 30 days before the first day of the month for which the election is to take effect.

(3) An election remains valid until a further election is made.

(4) A programming undertaking can make no more than two elections in a year.

(5) A programming undertaking that has never made an election is deemed to have elected for the standard blanket licence.

(2) La redevance payable en vertu du paragraphe (1) est acquittée le 31 janvier de l'année pertinente ou le dernier jour du mois qui suit celui où le système transmet un signal pour la première fois durant l'année pertinente.

(3) Les renseignements énumérés ci-après sont fournis en même temps que le versement des redevances à l'égard du système visé au paragraphe (1) :

- a) le nombre de locaux desservis le 31 décembre de l'année précédente ou le dernier jour du mois au cours duquel l'entreprise de distribution a transmis un signal pour la première fois durant l'année pertinente;
- b) s'il s'agit d'un petit système de transmission par fil par application de l'alinéa 3b), le nombre de locaux, établi conformément au *Règlement sur la définition de petit système de transmission par fil*, que l'entreprise desservait ou était réputée desservir le dernier jour de chaque mois de l'année précédente;
- c) s'il s'agit d'un système à antenne collective situé dans la zone de desserte d'un autre système de transmission par câble, le nom de ce système, ainsi qu'une déclaration selon laquelle ce système ne transmet pas un signal, à titre gratuit ou non, à plus de 2000 locaux dans cette zone de desserte;
- d) si le système fait partie d'une unité tel que l'entend le *Règlement sur la définition de petit système de transmission par fil*,
 - (i) la date depuis laquelle le système fait partie de l'unité,
 - (ii) les noms de tous les systèmes faisant partie de l'unité,
 - (iii) les noms des personnes ou du groupe de personnes qui possèdent ou contrôlent directement ou indirectement ces systèmes,
 - (iv) la nature du contrôle exercé par ces personnes.

Autres entreprises de distribution

6. (1) Les articles 7 à 16 s'appliquent si l'entreprise de distribution n'est pas assujettie à l'article 5.

(2) Sauf disposition contraire, pour l'application des articles 7 à 16, la mention d'une entreprise de distribution, de paiements d'affiliation ou de locaux desservis n'inclut pas les systèmes assujettis à l'article 5, les paiements qu'ils effectuent ou les locaux qu'ils desservent.

Services communautaires et hors programmation

7. La redevance payable pour un mois donné pour la transmission de tous les canaux communautaires, services hors programmation et autres services ne générant pas de paiements d'affiliation ou de revenus bruts que transmet une entreprise de distribution est de 0,14 cents par local ou TVRO que l'entreprise desservait le dernier jour du mois pertinent.

Option

8. (1) L'entreprise de programmation autre qu'un service assujetti à l'article 7 peut opter pour la licence générale standard ou modifiée.

(2) L'option s'exerce par écrit. La SOCAN doit la recevoir au moins 30 jours avant le premier jour du mois au cours duquel elle prend effet.

(3) Il est mis fin à une option en exerçant une autre option.

(4) Une entreprise de programmation a droit à deux options par année.

(5) L'entreprise de programmation qui n'a jamais exercé d'option est réputée avoir opté pour la licence générale standard.

Standard Blanket Licence

9. (1) Subject to subsection (2), the monthly royalty payable for the transmission of the signal of a programming undertaking that has elected for the standard blanket licence is

- (i) 2.1 per cent of affiliation payments payable in the relevant month by a distribution undertaking to the programming undertaking, plus
- (ii) $\frac{X \times Y \times 2.1 \text{ per cent}}{Z}$

where

X is the gross income of the programming undertaking during the relevant month

Y is the number of premises or TVROs served by the distribution undertaking and lawfully receiving the signal of the programming undertaking on the last day of the relevant month

Z is the total number of premises or TVROs (including those served by systems subject to section 5) lawfully receiving the signal of the programming undertaking on the last day of the relevant month.

(2) Notwithstanding subsection (1)

- (i) paragraph (1)(ii) does not apply to non-Canadian specialty services;
- (ii) the royalty rate is 0.9 per cent if a programming undertaking communicates works for which it requires a licence from SOCAN, excluding production music and cleared music, for less than 20 per cent of the programming undertaking's total air time and keeps and makes available to SOCAN complete recordings of its last 90 broadcast days.

(3) The royalty payable pursuant to subsection (1) is calculated in accordance with Form A if the royalties are being paid by the distribution undertaking, and in accordance with Form B if the royalties are being paid by the programming undertaking.

Modified Blanket Licence (MBL)

10. (1) Subject to subsection (2), the monthly royalty payable for the transmission of the signal of a programming undertaking that has elected for the modified blanket licence is calculated in accordance with Form C.

(2) Notwithstanding subsection (1)

- (i) no account is taken of gross income in calculating the royalty payable in respect of a non-Canadian specialty service;
- (ii) the royalty rate is 0.9 per cent if a programming undertaking communicates works for which it requires a licence from SOCAN, excluding production music and cleared music, for less than 20 per cent of the programming undertaking's total air time, excluding the air time of cleared programs, and keeps and makes available to SOCAN complete recordings of its last 90 broadcast days.

Due Date for Royalties

11. Royalties shall be due on the last day of the third month following the relevant month.

Reporting Requirements

12. No later than the last day of the month following the relevant month, a distribution undertaking shall provide to SOCAN and to each programming undertaking whose signal it transmitted during the relevant month

La licence générale standard

9. (1) Sous réserve du paragraphe (2), la redevance mensuelle payable pour la transmission du signal d'une entreprise de programmation ayant opté pour la licence générale standard est

- (i) 2,1 pour cent des paiements d'affiliation payables par l'entreprise de distribution à l'entreprise de programmation pour le mois pertinent, plus
- (ii) $\frac{X \times Y \times 2,1 \text{ pour cent}}{Z}$

étant entendu que

X représente les revenus bruts de l'entreprise de programmation durant le mois pertinent

Y représente le nombre de locaux ou de TVRO que l'entreprise de distribution desservait et qui recevaient licitement le signal de l'entreprise de programmation le dernier jour du mois pertinent

Z représente le nombre total de locaux ou de TVRO (y compris ceux que desservait des systèmes assujettis à l'article 5) qui recevaient licitement le signal de l'entreprise de programmation le dernier jour du mois pertinent.

(2) Malgré le paragraphe (1)

- (i) un service spécialisé non-canadien n'est pas assujéti à l'alinéa (1)(ii);
- (ii) le taux de redevance est 0,9 pour cent si l'entreprise de distribution communique des œuvres pour lesquelles elle requiert une licence de la SOCAN, exclusion faite de la musique de production et de la musique affranchie, durant moins de 20 pour cent de son temps d'antenne et conserve et met à la disposition de la SOCAN l'enregistrement complet de ses 90 derniers jours de diffusion.

(3) La redevance payable en vertu du paragraphe (1) est établie au moyen du formulaire A si c'est l'entreprise de distribution qui la verse, et du formulaire B si c'est l'entreprise de programmation.

La licence générale modifiée (LGM)

10. (1) Sous réserve du paragraphe (2), la redevance mensuelle payable pour la transmission du signal d'une entreprise de programmation ayant opté pour la licence générale modifiée est établie selon le formulaire C.

(2) Malgré le paragraphe (1)

- (i) il n'est pas tenu compte des revenus bruts d'un service spécialisé non-canadien dans le calcul de la redevance;
- (ii) le taux de redevance est 0,9 pour cent si l'entreprise de distribution communique des œuvres pour lesquelles elle requiert une licence de la SOCAN, exclusion faite de la musique de production et de la musique affranchie, durant moins de 20 pour cent du temps d'antenne des émissions non affranchies et conserve et met à la disposition de la SOCAN l'enregistrement complet de ses 90 derniers jours de diffusion.

Date à laquelle les redevances sont acquittées

11. Les redevances sont acquittées le dernier jour du troisième mois suivant le mois pertinent.

Exigences de rapport

12. Au plus tard le dernier jour du mois suivant le mois pertinent, l'entreprise de distribution fournit à la SOCAN et à chacune des entreprises de programmation dont elle a transmis le signal durant le mois pertinent

- (a) the number of premises or TVROs served by the distribution undertaking and lawfully receiving that signal on the last day of the relevant month, and
- (b) the amount of the distribution undertaking's affiliation payment for that signal for the relevant month.

13. (1) No later than the last day of the second month following the relevant month, a programming undertaking that does not intend to pay the royalty owed in respect of its signal for the relevant month shall provide to SOCAN and to each distribution undertaking that transmitted its signal during the relevant month

- (a) the number obtained by dividing its gross income for the relevant month by the total number of premises or TVROs (including those served by systems subject to section 5) lawfully receiving its signal on the last day of the relevant month,
- (b) if the programming undertaking has elected for the modified blanket licence, the percentage of its gross income that was generated by cleared programs in the relevant month and the percentage of total air time of cleared programs during that month, and
- (c) if the programming undertaking claims that it complied with subparagraphs 9(2)(iii) or 10(2)(iii), a notice to that effect.

(2) A programming undertaking referred to in subsection (1) shall also provide to SOCAN, by the date mentioned in subsection (1)

- (a) its gross income during the relevant month,
- (b) the total number of premises or TVROs (including those served by systems subject to section 5) lawfully receiving the signal of the programming undertaking on the last day of the relevant month, and
- (c) the total number of premises or TVROs (excluding those served by systems subject to section 5) lawfully receiving the signal of the programming undertaking on the last day of the relevant month.

14. No later than the last day of the second month following the relevant month, a programming undertaking that has elected for the modified blanket licence shall provide to SOCAN, using Form D, reports identifying, in respect of each cleared program, the music used in that program as well as any document supporting its claim that the music identified in Form D is cleared music, or a reference to that document, if the document was provided previously.

15. (1) A programming undertaking that makes a payment shall provide to SOCAN with its payment the total amount of affiliation payments payable to it for the relevant month and the calculation of the royalty for the relevant month, using the applicable form.

(2) A distribution undertaking that makes a payment shall provide to SOCAN with its payment, for the relevant month and in respect of each programming undertaking whose signal it transmitted during the relevant month

- (a) the name of the programming undertaking, the name of its signal and the affiliation payment,
- (b) the number of premises or TVROs served by the distribution undertaking and lawfully receiving the signal of the programming undertaking on the last day of the relevant month, and
- (c) the calculation of the royalty, using the applicable form.

MBL: Incorrect Cleared Program Claims

16. Amounts paid pursuant to lines B and C of Form C on account of a program that a programming undertaking incorrectly claimed as a cleared program are not refundable.

- a) le nombre de locaux ou de TVRO que l'entreprise de distribution desservait et qui recevaient licitement ce signal le dernier jour du mois pertinent,
- b) le montant de ses paiements d'affiliation pour ce signal pour le mois pertinent.

13. (1) Au plus tard le dernier jour du deuxième mois suivant le mois pertinent, l'entreprise de programmation qui n'entend pas payer la redevance pour le mois pertinent fournit à la SOCAN et à chacune des entreprises de distribution ayant transmis son signal durant le mois pertinent

- a) le quotient de ses revenus bruts durant le mois pertinent par le nombre total de locaux ou de TVRO (y compris ceux que desservaient des systèmes assujettis à l'article 5) qui recevaient licitement le signal de l'entreprise de programmation le dernier jour du mois pertinent,
- b) si l'entreprise de programmation a opté pour la licence générale modifiée, le pourcentage des revenus bruts générés durant le mois pertinent par des émissions affranchies et le pourcentage de temps d'antenne de ces émissions durant ce mois,
- c) si l'entreprise de programmation prétend s'être conformée au sous-alinéa 9(2)(iii) ou 10(2)(iii), un avis à cet effet.

(2) L'entreprise de programmation mentionnée au paragraphe (1) fournit aussi à la SOCAN, au plus tard à la date prévue au paragraphe (1)

- a) ses revenus bruts pour le mois pertinent,
- b) le nombre total de locaux ou de TVRO (y compris ceux que desservaient des systèmes assujettis à l'article 5) qui recevaient licitement le signal de l'entreprise de programmation le dernier jour du mois pertinent,
- c) le nombre total de locaux ou de TVRO (excluant ceux que desservaient des systèmes assujettis à l'article 5) qui recevaient licitement le signal de l'entreprise de programmation le dernier jour du mois pertinent.

14. Au plus tard le dernier jour du deuxième mois suivant le mois pertinent, l'entreprise de programmation qui a opté pour la licence générale modifiée fournit à la SOCAN des rapports établis selon le formulaire D, précisant, à l'égard de chaque émission affranchie, la musique utilisée durant l'émission, ainsi que les documents sur lesquels elle se fonde pour dire que les œuvres énumérées dans le formulaire D sont de la musique affranchie, ou une référence à ces documents s'ils ont été fournis auparavant.

15. (1) L'entreprise de programmation qui effectue un paiement fournit en même temps à la SOCAN, à l'égard du mois pertinent, le montant total des paiements d'affiliation qui lui sont dus et, au moyen du formulaire pertinent, le calcul de la redevance.

(2) L'entreprise de distribution qui effectue un paiement fournit en même temps à la SOCAN, à l'égard du mois pertinent et pour chacune des entreprises de programmation dont elle a transmis le signal durant ce mois

- a) le nom de l'entreprise de programmation, celui du signal et le paiement d'affiliation,
- b) le nombre de locaux ou de TVRO que l'entreprise de distribution desservait et qui recevaient licitement le signal de l'entreprise de programmation le dernier jour du mois pertinent,
- c) le calcul de la redevance, au moyen du formulaire pertinent.

LGM : déclarations erronées d'émissions affranchies

16. Les sommes payées en application des lignes B et C du formulaire C à l'égard de l'émission que l'entreprise de programmation a erronément déclaré être une émission affranchie ne sont pas remboursables.

Audit

17. SOCAN shall have the right to audit the books and records of a programming undertaking or of a distribution undertaking, on reasonable notice and during normal business hours, to verify the statements rendered and the royalty payable.

Confidentiality

18. (1) Subject to subsections (2) and (3), information received pursuant to this tariff shall be treated in confidence, unless the undertaking who supplied the information consents in writing to the information being treated otherwise.

- (2) Information referred to in subsection (1) can be shared
- (i) to comply with this tariff;
 - (ii) with the Copyright Board;
 - (iii) in connection with proceedings before the Copyright Board;
 - (iv) to the extent required to effect the distribution of royalties, with a royalty claimant; or
 - (v) if ordered by law or by a court of law.

(3) Subsection (1) does not apply to information that is publicly available, or to information obtained from someone other than the undertaking and who is not under an apparent duty of confidentiality to that undertaking.

Interest on Late Payments

19. Any amount not received by the due date shall bear interest from that date until the date the amount is received. Interest shall be calculated daily at a rate equal to one per cent above the Bank of Canada rate effective on the last day of the previous month (as published by the Bank of Canada). Interest shall not compound.

Vérification

17. La SOCAN peut vérifier les livres et registres d'une entreprise de programmation ou de distribution durant les heures de bureau régulières, moyennant un préavis raisonnable, afin de confirmer les rapports soumis et la redevance exigible.

Traitement confidentiel

18. (1) Sous réserve des paragraphes (2) et (3), les renseignements transmis en application du présent tarif sont gardés confidentiels, à moins que l'entreprise les ayant fournis ne consente par écrit à ce qu'il en soit autrement.

- (2) On peut faire part des renseignements visés au paragraphe (1)
- (i) dans le but de se conformer au présent tarif;
 - (ii) à la Commission du droit d'auteur;
 - (iii) dans le cadre d'une affaire portée devant la Commission;
 - (iv) à une personne qui demande le versement de droits, dans la mesure où cela est nécessaire pour effectuer la distribution;
 - (v) si la loi ou une ordonnance d'un tribunal l'y oblige.

(3) Le paragraphe (1) ne s'applique pas aux renseignements disponibles au public ou obtenus d'un tiers non tenu lui-même de garder confidentiels ces renseignements.

Intérêts sur paiements tardifs

19. Toute somme non payée à son échéance porte intérêt à compter de la date à laquelle elle aurait dû être acquittée jusqu'à la date où elle est reçue. L'intérêt est calculé quotidiennement, à un taux de un pour cent au-dessus du taux officiel d'escompte de la Banque du Canada en vigueur le dernier jour du mois précédent (tel qu'il est publié par la Banque du Canada). L'intérêt n'est pas composé.

FORM A

CALCULATION OF LICENCE FEE FOR A STANDARD BLANKET LICENCE FOR THE MONTH OF _____ (Payment by the distribution undertaking)

Name of the distribution undertaking: _____

Name of the programming undertaking or signal on account of which the royalties are being paid (please provide one form per programming undertaking or signal): _____

(A) $2.1\% \times$ amount payable by the distribution undertaking for the right to carry the signal for the relevant month: _____

(B) $2.1\% \times$ number supplied by the programming undertaking pursuant to paragraph 13(1)(a) \times number of premises or TVROs served by the distribution undertaking and lawfully receiving the signal of the programming undertaking on the last day of the relevant month: _____

(C) TOTAL LICENCE FEE FOR THE MONTH (A + B): _____

Please remit the amount set out in (C).

NOTE: If the programming undertaking claims that it complies with subparagraph 9(2)(iii), the applicable royalty rate is 0.9%.

FORMULAIRE A

CALCUL DE LA REDEVANCE PAYABLE EN VERTU DE LA LICENCE GÉNÉRALE STANDARD POUR LE MOIS DE _____ (paiement effectué par l'entreprise de distribution)

Nom de l'entreprise de distribution : _____

Nom de l'entreprise de programmation ou du signal à l'égard duquel les redevances sont acquittées (veuillez remplir un formulaire par entreprise de programmation ou signal) : _____

(A) $2,1\% \times$ montant payable par l'entreprise de distribution pour la transmission du signal durant le mois pertinent : _____

(B) $2,1\% \times$ chiffre fourni par l'entreprise de programmation conformément à l'alinéa 13(1)a) \times nombre de locaux ou de TVRO que l'entreprise de distribution desservait et qui recevaient licitement le signal de l'entreprise de programmation le dernier jour du mois pertinent : _____

(C) REDEVANCE TOTALE DU MOIS (A + B) : _____

Veuillez acquitter le montant indiqué à la ligne (C).

NOTE : Si l'entreprise de programmation prétend se conformer au sous-alinéa 9(2)(iii), le taux de redevance applicable est 0,9 %.

FORM B

CALCULATION OF LICENCE FEE FOR A STANDARD BLANKET LICENCE FOR THE MONTH OF _____ (Payment by the programming undertaking)

Name of the programming undertaking or signal: _____

List of the distribution undertakings on account of which royalties are being paid: _____

(A) $2.1\% \times$ total amount payable by the relevant distribution undertakings for the right to carry the signal of the programming undertaking for the relevant month: _____

(B) $\frac{X \times Y \times 2.1\%}{Z}$: _____

where

X is the gross income of the programming undertaking during the relevant month

Y is the total number of premises or TVROs served by the distribution undertakings and lawfully receiving the signal of the programming undertaking on the last day of the relevant month

Z is the total number of premises or TVROs (including those served by systems subject to section 5 of the tariff) lawfully receiving the signal of the programming undertaking on the last day of that month.

(C) TOTAL LICENCE FEE FOR THE MONTH (A + B): _____

Please remit the amount set out in (C).

NOTE: If the programming undertaking claims that it complies with subparagraph 9(2)(iii), the applicable royalty rate is 0.9%.

FORMULAIRE B

CALCUL DE LA REDEVANCE PAYABLE EN VERTU DE LA LICENCE GÉNÉRALE STANDARD POUR LE MOIS DE _____ (paiement effectué par l'entreprise de programmation)

Nom de l'entreprise de programmation ou du signal : _____

Noms des entreprises de distribution à l'égard desquelles les redevances sont acquittées : _____

(A) $2,1\% \times$ montant total payable par les entreprises de distribution pertinentes pour la transmission du signal de l'entreprise de programmation durant le mois pertinent : _____

(B) $\frac{X \times Y \times 2,1\%}{Z}$: _____

étant entendu que

X représente les revenus bruts de l'entreprise de programmation durant le mois pertinent

Y représente le nombre de locaux ou de TVRO que les entreprises de distribution desservait et qui recevaient licitement le signal de l'entreprise de programmation le dernier jour du mois pertinent

Z représente le nombre total de locaux ou de TVRO (y compris ceux que desservait des systèmes assujettis à l'article 5 du tarif) qui recevaient licitement le signal de l'entreprise de programmation le dernier jour du mois pertinent.

(C) REDEVANCE TOTALE DU MOIS (A + B) : _____

Veillez acquitter le montant indiqué à la ligne (C).

NOTE : Si l'entreprise de programmation prétend se conformer au sous-alinéa 9(2)(iii), le taux de redevance applicable est 0,9%.

FORM C

CALCULATION OF LICENCE FEE FOR A MODIFIED BLANKET LICENCE (MBL) FOR THE MONTH OF _____

For the purposes of this form and for the month for which the royalties are being calculated:

“Affiliation payments” does not include payments made by systems subject to section 5 of the tariff (small systems).

“Total affiliation payments” means

(a) if a distribution undertaking fills the form, the affiliation payments payable by the distribution undertaking to the relevant programming undertaking for that month,

(b) if a programming undertaking fills the form, the affiliation payments payable to the programming undertaking by all the distribution undertakings that carried its signal during that month.

“Affiliation payments from cleared programs” means the total affiliation payments multiplied by the percentage of total air time attributable to cleared programs in that month. (That figure is provided by the programming undertaking pursuant to paragraph 13(1)(b) of the tariff if a distribution undertaking fills the form.)

“Affiliation payments from programs other than cleared programs” means the difference between total affiliation payments and affiliation payments from cleared programs.

“Total gross income” means

(a) if a distribution undertaking fills the form, the number provided by the programming undertaking for that month pursuant to paragraph 13(1)(a) of the tariff multiplied by the number of premises or TVROs served by the distribution undertaking and lawfully receiving the signal of the programming undertaking on the last day of that month,

(b) if a programming undertaking fills the form, the undertaking’s gross income for that month multiplied by the ratio of the total number of premises or TVROs (excluding those served by systems subject to section 5 of the tariff) lawfully receiving its signal on the last day of that month over the total number of premises or TVROs (including those served by systems subject to section 5 of the tariff) lawfully receiving its signal on the last day of that month.

“Gross income from cleared programs” means the total gross income multiplied by the percentage of gross income from cleared programs. (That figure is provided by the programming undertaking pursuant to paragraph 13(1)(b) of the tariff if a distribution undertaking fills the form.)

“Gross income from programs other than cleared programs” means the difference between total gross income and gross income from cleared programs.

If the distribution undertaking fills the form, one form must be completed with respect to each programming undertaking that has elected for the MBL that the distribution undertaking transmits in the relevant month. If the programming undertaking fills the form, only one form needs to be completed.

Payment on account of cleared programs

- to account for additional expenses incurred by SOCAN because of the availability of the MBL:
 $3\% \times 2.1\% \times (\text{total gross income} + \text{total affiliation payments})$ (A)
- to account for the use of ambient and production music in cleared programs:
 $5\% \times 2.1\% \times (\text{gross income from cleared programs} + \text{affiliation payments from cleared programs})$ (B)
- to account for SOCAN’s general operating expenses:
 $22\% \times 95\% \times 2.1\% \times (\text{gross income from cleared programs} + \text{affiliation payments from cleared programs})$ (C)
- TOTAL of A + B + C: (D)

Payment on account of all programs other than cleared programs

- $2.1\% \times (\text{gross income from programs other than cleared programs} + \text{affiliation payments from programs other than cleared programs})$ (E)
- TOTAL LICENCE FEE FOR THE MONTH (D + E): (F)

Please remit the amount set out in (F).

NOTE: If the programming undertaking claims that it complies with subparagraph 10(2)(iii), the applicable royalty rate is 0.9%.

FORMULAIRE C

CALCUL DE LA REDEVANCE PAYABLE EN VERTU DE LA LICENCE GÉNÉRALE MODIFIÉE (LGM) POUR LE MOIS DE _____

Pour les fins du présent formulaire et pour le mois à l'égard duquel les redevances sont établies (le mois pertinent) les définitions suivantes s'appliquent :

« Paiements d'affiliation » exclut les paiements effectués par les systèmes assujettis à l'article 5 du tarif (les petits systèmes).

« Paiements totaux d'affiliation »

(a) Si l'entreprise de distribution remplit le formulaire, les paiements d'affiliation payables par cette entreprise à l'entreprise de programmation pertinente pour le mois pertinent,

(b) si l'entreprise de programmation remplit le formulaire, les paiements d'affiliation payables à cette entreprise par toutes les entreprises de distribution pertinentes ayant transmis son signal durant le mois pertinent.

« Paiements d'affiliation à l'égard des émissions affranchies » Montant des paiements totaux d'affiliation multiplié par le pourcentage du temps d'antenne total occupé par des émissions affranchies durant le mois pertinent. (Si l'entreprise de distribution remplit le formulaire, ce pourcentage lui est fourni par l'entreprise de programmation en application de l'alinéa 13(1)b) du tarif.)

« Paiement d'affiliation à l'égard des émissions non affranchies » Différence entre les paiements totaux d'affiliation et les paiements d'affiliation à l'égard des émissions affranchies.

« Revenus bruts totaux »

(a) Si l'entreprise de distribution remplit le formulaire, le chiffre fourni par l'entreprise de distribution pour le mois pertinent conformément à l'alinéa 13(1)a) du tarif multiplié par le nombre de locaux ou de TVRO que l'entreprise de distribution desservait et qui recevaient licitement le signal de l'entreprise de programmation le dernier jour du mois pertinent,

(b) si l'entreprise de programmation remplit le formulaire, les revenus bruts de l'entreprise multipliés par le nombre total de locaux ou de TVRO (excluant ceux que desservait des systèmes assujettis à l'article 5 du tarif) qui recevaient licitement le signal de l'entreprise de programmation le dernier jour du mois pertinent, divisé par le nombre total de locaux ou de TVRO (y compris ceux que desservait des systèmes assujettis à l'article 5 du tarif) qui recevaient licitement le signal de l'entreprise de programmation le dernier jour du mois pertinent.

« Revenus bruts des émissions affranchies » Montant des revenus bruts totaux multiplié par le pourcentage des revenus bruts attribuables aux émissions affranchies. (Si l'entreprise de distribution remplit le formulaire, ce pourcentage lui est fourni par l'entreprise de programmation en application de l'alinéa 13(1)b) du tarif.)

« Revenus bruts des émissions non affranchies » Différence entre les revenus bruts totaux et les revenus bruts des émissions affranchies.

Si l'entreprise de distribution remplit le formulaire, il faut compléter un formulaire à l'égard de chaque entreprise de programmation ayant opté pour la LGM que l'entreprise de distribution a transmis durant le mois pertinent. Si c'est l'entreprise de programmation qui remplit le formulaire, un seul formulaire suffit.

Paiement à l'égard de la programmation affranchie

— pour les dépenses additionnelles que la SOCAN engage au motif que la licence générale modifiée est disponible :

$3\% \times 2,1\% \times (\text{Revenus bruts totaux} + \text{Paiements d'affiliation totaux})$

(A)

— pour l'utilisation de la musique ambiante et de production :

$5\% \times 2,1\% \times (\text{Revenus bruts attribuables aux émissions affranchies} + \text{Paiements d'affiliation attribuables aux émissions affranchies})$

(B)

— pour les dépenses générales d'exploitation de la SOCAN :

$22\% \times 95\% \times 2,1\% \times (\text{Revenus bruts attribuables aux émissions affranchies} + \text{Paiements d'affiliation attribuables aux émissions affranchies})$

(C)

— TOTAL de A + B + C :

(D)

Paiement à l'égard du reste de la programmation

— $2,1\% \times (\text{Revenus bruts attribuables aux émissions non affranchies} + \text{Paiements d'affiliation attribuables aux émissions non affranchies})$

(E)

— REDEVANCE TOTALE DU MOIS (D + E) :

(F)

Veuillez acquitter le montant indiqué à la ligne (F).

NOTE : Si l'entreprise de programmation prétend se conformer au sous-alinéa 10(2)(iii), le taux de redevance applicable est 0,9 %.

Supplement
Canada Gazette, Part I
May 1, 2004



Supplément
Gazette du Canada, Partie I
Le 1^{er} mai 2004

COPYRIGHT BOARD

**COMMISSION DU DROIT
D'AUTEUR**

**Statement of Proposed Royalties to Be
Collected by SODRAC and SODRAC 2003 inc.
for the Reproduction of Musical Works,
in Canada, in the Years 2005 to 2008**

**Projet de tarif des redevances à percevoir
par la SODRAC et SODRAC 2003 inc. pour
la reproduction d'œuvres musicales, au
Canada, pour les années 2005 à 2008**

(Tariff No. 4 — Pay Audio Services)

(Tarif n° 4 — Services sonores payants)

COPYRIGHT BOARD

FILE: Reproduction of Musical Works 2005 to 2008

Statement of Proposed Royalties to Be Collected for the Reproduction of Musical Works, in Canada, in the Years 2005 to 2008

In accordance with section 70.14 and subsection 67.1(5) of the *Copyright Act*, the Copyright Board hereby publishes the statement of royalties filed by the *Société du droit de reproduction des auteurs, compositeurs et éditeurs au Canada* (SODRAC) and SODRAC 2003 inc. on March 31, 2004, with respect to royalties that they propose to collect, effective on January 1, 2005, for the reproduction of musical works, in Canada, by pay audio services.

In accordance with the provisions of the above-mentioned section and subsection, the Board hereby gives notice that prospective users or their representatives who wish to object to the statement may file written objections with the Board, at the address indicated below, within 60 days of the publication hereof, that is no later than June 30, 2004.

Ottawa, May 1, 2004

CLAUDE MAJEAU
Secretary General
 56 Sparks Street, Suite 800
 Ottawa, Ontario
 K1A 0C9
 (613) 952-8621 (telephone)
 (613) 952-8630 (facsimile)
majeau.claude@cb-cda.gc.ca (electronic mail)

NOTICE

On May 24, 2003, the Board published SODRAC's proposed Tariff No. 4 dealing with the reproduction of musical works by pay audio services for the years 2004 to 2008.

SODRAC is in the process of restructuring its activities. In time, a new collective, SODRAC 2003 inc., will administer all the repertoire that SODRAC currently holds. The takeover will occur progressively; in the meantime, both collectives will administer the relevant repertoire in a complementary fashion.

The only goal in filing this proposed statement of royalties is to avoid that the Board's ability to certify a tariff dealing with all of the relevant repertoire be challenged on a technicality.

COMMISSION DU DROIT D'AUTEUR

DOSSIER : Reproduction d'œuvres musicales 2005-2008

Projet de tarif des redevances à percevoir pour la reproduction d'œuvres musicales, au Canada, pour les années 2005 à 2008

Conformément à l'article 70.14 et au paragraphe 67.1(5) de la *Loi sur le droit d'auteur*, la Commission du droit d'auteur publie le projet de tarif que la Société du droit de reproduction des auteurs, compositeurs et éditeurs au Canada (SODRAC) et SODRAC 2003 inc. ont déposé auprès d'elle le 31 mars 2004 relativement aux redevances qu'elles proposent de percevoir, à compter du 1^{er} janvier 2005, pour la reproduction d'œuvres musicales, au Canada, pour les années 2005 à 2008.

Conformément aux dispositions de l'article et du paragraphe mentionnés ci-dessus, la Commission donne avis, par les présentes, que tout utilisateur éventuel intéressé, ou son représentant, désirant s'opposer à ce projet de tarif doit déposer son opposition auprès de la Commission, par écrit, à l'adresse apparaissant ci-dessous, dans les 60 jours de la présente publication, soit au plus tard le 30 juin 2004.

Ottawa, le 1^{er} mai 2004

Le secrétaire général
 CLAUDE MAJEAU
 56, rue Sparks, Bureau 800
 Ottawa (Ontario)
 K1A 0C9
 (613) 952-8621 (téléphone)
 (613) 952-8630 (télécopieur)
majeau.claude@cb-cda.gc.ca (courrier électronique)

AVIS

Le 24 mai 2003, la Commission publiait le projet de tarif n° 4 de la SODRAC visant la reproduction d'œuvres musicales par les services sonores payants pour les années 2004 à 2008.

La SODRAC est à réorganiser ses activités. Éventuellement, une nouvelle société, SODRAC 2003 inc., gèrera l'ensemble du répertoire que la SODRAC détient présentement. Cette prise en charge se fera progressivement; dans l'intervalle, ces deux sociétés géreront le répertoire pertinent de façon complémentaire.

Le dépôt du présent projet de tarif a pour seul objet d'éviter que la compétence de la Commission d'homologuer un tarif visant l'ensemble du répertoire pertinent soit remise en cause pour une question de forme.

SOCIÉTÉ DU DROIT DE REPRODUCTION DES AUTEURS,
COMPOSITEURS ET ÉDITEURS AU CANADA
(SODRAC) INC. AND SODRAC 2003 INC.

STATEMENT OF ROYALTIES TO BE COLLECTED FOR
THE REPRODUCTION OF MUSICAL WORKS BY PAY
AUDIO PROGRAMMING UNDERTAKINGS, IN
CANADA, IN 2005, 2006, 2007 AND 2008

For a licence during calendar years 2005 to and including 2008 authorizing the reproduction of works in Société du droit de reproduction des auteurs, compositeurs et éditeurs au Canada (SODRAC) inc. and SODRAC 2003 inc. (hereafter jointly called SODRAC)'s repertoire by a Pay Audio Programming Undertakings and the use of copies resulting from such reproductions for its broadcasting purposes, the following royalties, terms and conditions shall apply :

Tariff No. 4

REPRODUCTION OF MUSICAL WORKS
BY PAY AUDIO SERVICES

1. *Short Title*

This tariff may be cited as the *SODRAC Pay-Audio Services Tariff, 2005-2008*

2. *Definitions*

In this tariff,

“Act” (“*Loi*”) means the *Copyright Act*, R.S.C. 1985, c. C-42, as modified;

“copy” (“*copie*”) means any format or material form on or in which a musical work in the repertoire is fixed by a pay audio programming undertaking by any known or to be discovered process;

“distribution undertaking” (“*entreprise de distribution*”) means a distribution undertaking as defined in the *Broadcasting Act*, S.C. 1991, c. 11;

“pay audio programming undertaking” (“*entreprise de programmation sonore payante*”) means a programming undertaking licensed by the Canadian Radio-television and Telecommunications Commission to carry on a pay audio programming undertaking or any programming undertaking carrying on similar activities, whether or not licensed by the Canadian Radio-television and Telecommunications Commission;

“programming undertaking” (“*entreprise de programmation*”) means a programming undertaking as defined in the *Broadcasting Act*, S.C. 1991, c. 11;

“repertoire” (“*répertoire*”) means the musical works in SODRAC's repertoire;

“reproduction” (“*reproduction*”) means the fixation by a pay audio programming undertaking of a musical work in the repertoire by any known or to be discovered process, in any format or material form, including the fixation on the random access memory (RAM) or hard-disk of a computer;

“pay audio service” (“*service sonore payant*”) means a service comprising one or more pay audio channels supplied by a pay audio programming undertaking to a distribution undertaking;

“year” (“*année*”) means a calendar year.

SOCIÉTÉ DU DROIT DE REPRODUCTION DES AUTEURS,
COMPOSITEURS ET ÉDITEURS AU CANADA
(SODRAC) INC. ET SODRAC 2003 INC.

TARIF DES DROITS À PERCEVOIR POUR LA
REPRODUCTION D'ŒUVRES MUSICALES PAR LES
ENTREPRISES DE PROGRAMMATION SONORE
PAYANTE, AU CANADA, POUR LES ANNÉES
2005, 2006, 2007 ET 2008

Les redevances à verser à la Société du droit de reproduction des auteurs, compositeurs et éditeurs au Canada (SODRAC) inc. et SODRAC 2003 inc. (ci-après appelées conjointement « la SODRAC ») et les modalités et conditions à respecter pour une licence durant les années civiles 2005 à 2008 inclusivement autorisant la reproduction des œuvres musicales du répertoire de SODRAC par une entreprise de programmation sonore payante et l'utilisation à ses fins de radiodiffusion des copies qui en résultent, sont les suivantes :

Tarif n° 4

REPRODUCTION D'ŒUVRES MUSICALES PAR
LES SERVICES SONORES PAYANTS

1. *Titre abrégé*

On peut référer à ce Tarif sous le nom : *Tarif SODRAC applicable aux services sonores payants, 2005-2008*

2. *Définitions*

Aux fins du présent tarif, les termes suivants se définissent comme suit :

« année » (« *year* ») signifie une année civile;

« copie » (« *copy* ») signifie tout format ou support matériel par ou sur lequel une œuvre musicale du répertoire est fixée par une entreprise de programmation sonore payante, par tout procédé connu ou à découvrir;

« entreprise de distribution » (« *distribution undertaking* ») signifie une entreprise de distribution telle qu'elle est définie dans la *Loi sur la radiodiffusion*, L.C. 1991, ch. 11;

« entreprise de programmation sonore payante » (« *pay audio programming undertaking* ») signifie une entreprise de programmation qui détient une licence de radiodiffusion du Conseil de la radiodiffusion et des télécommunications canadiennes pour exploiter une entreprise de programmation sonore payante, ou toute autre entreprise de programmation exerçant une activité semblable, que cette entreprise détienne ou non une licence du Conseil de la radiodiffusion et des télécommunications canadiennes;

« entreprise de programmation » (« *programming undertaking* ») signifie une entreprise de programmation telle qu'elle est définie dans la *Loi sur la radiodiffusion*, L.C. 1991, ch. 11;

« Loi » (« *Act* ») signifie la *Loi sur le droit d'auteur*, L.R.C. 1985, ch. C-42, telle que modifiée;

« répertoire » (« *repertoire* ») signifie le répertoire des œuvres musicales de la SODRAC;

« reproduction » (« *reproduction* ») signifie la fixation par une entreprise de programmation sonore payante d'une œuvre musicale du répertoire par tout procédé connu ou à découvrir, sur un support quelconque, y compris la fixation en mémoire vive ou sur le disque dur d'un ordinateur;

3. Licence

3.1 In consideration of the payment of the royalties set out in section 4 of this tariff, and in consideration of the other terms and conditions set out therein, SODRAC shall grant to a pay audio programming undertaking a non exclusive, non transferable licence for each calendar year from 2005 to and including 2008, authorizing the reproduction, at any time and as often as desired during the term of the licence, of the musical works in the repertoire by a pay audio programming undertaking and the use of copies resulting from such reproductions for its broadcasting purposes.

3.2 The licence shall not authorize a pay audio programming undertaking to reproduce a musical work in the repertoire, or use a copy resulting from such reproduction, in an advertisement intended to sell or promote, as the case may be, a product, service, cause or institution.

3.3 This tariff does not apply to

- (a) uses covered by other SODRAC tariffs; or
- (b) transmissions of a musical work in the repertoire on a digital interactive communication network, such as from a Web site available on the Internet.

3.4 Every SODRAC licence shall subsist according to the terms set out therein. SODRAC shall have the right at any time to terminate a licence for breach of terms or conditions upon 30 days notice in writing.

4. Royalties

In consideration of the licence that shall be granted in accordance with section 3 above by SODRAC, the royalties payable to SODRAC by a pay audio programming undertaking shall be 8 per cent of the affiliation payments payable by a distribution undertaking to a pay audio programming undertaking for a pay audio service during a month.

5. Payments

5.1 Royalties payable pursuant to section 4 shall be due on the last day of the month following the month for which the royalties are being paid.

5.2 Any amount not received by the due date shall bear interest from that date until the date the amount is received. Interest shall be calculated daily at a rate equal to one per cent above the Bank Rate effective on the last day of the previous month (as published by the Bank of Canada). Interest shall not compound.

5.3 All royalties payable under this tariff are exclusive of any federal, provincial or other governmental taxes or levies of any kind.

6. Reporting Requirements

A pay audio programming undertaking shall provide with its payment, for the relevant period and with respect to each distribution undertaking to which it supplied a pay audio service,

- (a) the name of the distribution undertaking,
- (b) the list of the pay audio services the pay audio programming undertaking supplied to the distribution undertaking, and
- (c) a report on the amounts of the affiliation payments payable to the pay audio programming undertaking for supplying these pay audio services.

« service sonore payant » (« *pay audio service* ») signifie un service composé d'un ou plusieurs canaux sonores payants fourni par une entreprise de programmation sonore payante à une entreprise de distribution.

3. Licence

3.1 La SODRAC accorde à l'entreprise de programmation sonore payante, suivant les dispositions du présent tarif, une licence non exclusive et non transmissible pour chaque année civile de 2005 à 2008 inclusivement, autorisant cette entreprise de programmation sonore payante à reproduire autant de fois que désiré durant la durée de la licence, des œuvres musicales du répertoire et à utiliser les copies qui en résultent pour ses fins de radiodiffusion.

3.2 La licence n'autorise pas la reproduction d'une œuvre musicale du répertoire, ou l'utilisation d'une copie qui en résulte, par une entreprise de programmation sonore payante, dans une annonce qui vise à vendre ou promouvoir, selon le cas, un produit, un service, une cause ou une institution.

3.3 Le présent tarif ne s'applique pas :

- a) aux utilisations faisant l'objet d'autres tarifs de la SODRAC;
- b) aux transmissions d'une œuvre musicale du répertoire sur un réseau numérique et interactif de communications tel qu'à partir d'un site Web disponible sur l'Internet.

3.4 Chaque licence de la SODRAC reste valable en fonction des conditions qui y sont énoncées. La SODRAC peut, en tout temps, mettre fin à toute licence sur préavis écrit de 30 jours pour violation des modalités de la licence.

4. Redevances

L'entreprise de programmation sonore payante paie à la SODRAC une redevance de 8 pour cent des paiements d'affiliation qui lui sont payables par une entreprise de distribution pour la réception d'un service sonore payant pour chaque mois.

5. Paiements

5.1 Les redevances payables conformément à l'article 4 sont exigibles au dernier jour du mois suivant celui à l'égard duquel elles sont versées.

5.2 Toute redevance porte intérêt à compter de la date à laquelle elle aurait dû être acquittée jusqu'à la date où elle est reçue. Le montant des intérêts est calculé chaque jour au taux d'escompte en vigueur le dernier jour du mois précédent tel qu'il est publié dans la revue de la Banque du Canada plus un pour cent. L'intérêt n'est pas composé.

5.3 Les redevances exigibles en vertu du présent tarif ne comprennent ni les taxes fédérales, provinciales ou autres, ni les prélèvements d'autre genre qui pourraient s'appliquer.

6. Exigences de rapports

L'entreprise de programmation sonore payante transmet, avec chaque rapport mensuel à la SODRAC, pour la période visée et à l'égard de chaque entreprise de distribution à laquelle elle fournissait un service sonore payant :

- a) le nom de l'entreprise de distribution,
- b) la liste des services sonores payants que l'entreprise de programmation sonore payante fournissait à l'entreprise de distribution,

7. Musical Works Use Information

7.1 A pay audio programming undertaking shall provide to SODRAC the sequential lists of all musical works played on each channel. Each entry list shall mention the title of the musical work, the name of the author and composer of the work, the name of the performers or of the performing group, the title of the record album and the record label.

7.2 The information set out in section 7.1 shall be provided for a period of seven consecutive days for each month, no later than on the last day of the following month. It shall be provided in electronic format where available.

8. Accounts and Records

8.1 A pay audio programming undertaking shall keep and preserve, for a period of six months after the end of the month to which they relate, records from which the information set out in section 7 can be readily ascertained.

8.2 A pay audio programming undertaking shall keep and preserve, for a period of six years after the end of the year to which they relate, records from which a distribution undertaking's affiliation payments to the pay audio programming undertaking can be readily ascertained.

8.3 SODRAC may audit these records at any time during the period set out in section 8.1 or 8.2, on reasonable notice and during normal business hours.

8.4 SODRAC shall, upon receipt, supply a copy of the report of the audit to the pay audio programming undertaking which was the object of the audit.

8.5 If an audit discloses that royalties due to SODRAC have been understated in any month by more than ten per cent, the pay audio programming undertaking which was the object of the audit shall pay the reasonable costs of the audit within thirty days of the demand for such payment.

9. Confidentiality

9.1 Subject to sections 9.2 and 9.3, SODRAC shall treat in confidence information received from a pay audio programming undertaking pursuant to this tariff, unless the pay audio programming undertaking who supplied the information consents in writing to the information being treated otherwise.

9.2 SODRAC may share information referred to in section 9.1

- (i) with any other collecting body in Canada or elsewhere;
- (ii) with the Copyright Board;
- (iii) in connection with proceedings before the Copyright Board, with anyone;
- (iv) to the extent required to effect the distribution of royalties, with its royalty claimants; or
- (v) if ordered by law or by a court of law.

9.3 Section 9.1 does not apply to information that is publicly available, or to information obtained from someone other than the pay audio programming undertaking and who is not under an apparent duty of confidentiality to that pay audio programming undertaking.

c) un rapport des montants des paiements d'affiliation payables à l'entreprise de programmation sonore payante pour fournir ces services sonores payants.

7. Obligations de rapport

7.1 L'entreprise de programmation sonore payante fournit à la SODRAC la liste séquentielle des œuvres musicales communiquées sur chaque canal. Chaque inscription mentionne le titre de l'œuvre musicale, le nom de l'auteur et du compositeur de l'œuvre, celui des artistes-interprètes ou du groupe d'interprètes, le titre de l'album et la maison de disque.

7.2 L'information visée au paragraphe 7.1 est fournie pour une période de sept jours consécutifs une fois par mois, au plus tard le dernier jour du mois suivant. Dans la mesure du possible, elle est fournie en format numérique.

8. Registres et vérifications

8.1 L'entreprise de programmation sonore payante tient et conserve, durant six mois après la fin du mois auquel ils se rapportent, les registres permettant de déterminer facilement les renseignements demandés au titre de l'article 7.

8.2 L'entreprise de programmation sonore payante tient et conserve, durant six années après la fin de l'année à laquelle ils se rapportent, les registres permettant de déterminer facilement les paiements d'affiliation de l'entreprise de distribution à l'entreprise de programmation sonore payante.

8.3 La SODRAC peut vérifier ces registres à tout moment durant la période prévue au paragraphe 8.1 ou celle prévue au paragraphe 8.2, durant les heures régulières de bureau et moyennant un préavis raisonnable.

8.4 Dès qu'elle reçoit un rapport de vérification, la SODRAC en fait parvenir une copie à l'entreprise de programmation sonore payante ayant fait l'objet de la vérification.

8.5 Dans le cas où une vérification démontre pour un mois un écart de dix pour cent ou plus entre les redevances payées et celles exigibles, les frais de vérification seront à la charge entière de l'entreprise de programmation sonore payante, qui les paiera à la SODRAC dans les 30 jours d'une demande en ce sens.

9. Traitement confidentiel

9.1 Sous réserve des paragraphes 9.2 et 9.3, la SODRAC garde confidentiels les renseignements qu'une entreprise de programmation sonore payante lui transmet en application du présent tarif, à moins que l'entreprise de programmation sonore payante ne consente par écrit à ce qu'il en soit autrement.

9.2 La SODRAC peut faire part des renseignements visés au paragraphe 9.1 :

- (i) à tout autre organisme de perception au Canada ou ailleurs;
- (ii) à la Commission du droit d'auteur;
- (iii) à toute personne, dans le cadre d'une affaire portée devant la Commission;
- (iv) à une personne qui formule une réclamation dans la mesure où cela est nécessaire pour effectuer la répartition des redevances;
- (v) si la loi ou une ordonnance d'un tribunal l'y oblige.

9.3 Le paragraphe 9.1 ne s'applique pas aux renseignements disponibles au public ou obtenus d'un tiers non tenu lui-même de garder confidentiels ces renseignements.

10. Adjustments

Adjustments in the amount of royalties owed (including excess payments), as a result of the discovery of an error or otherwise, shall be made on the date the next royalty payment is due.

11. Delivery of Notices and Payments

11.1 All notices to SODRAC shall be sent at the attention of SODRAC 2003 inc. to 759 Square Victoria, Suite 420, Montréal, Quebec H2Y 2J7, facsimile number (514) 845-3401 or to any other address or facsimile number of which the pay audio programming undertaking has been notified in writing. All payments shall be sent at the order of SODRAC 2003 inc. to 759 Square Victoria, Suite 420, Montréal, Quebec H2Y 2J7.

11.2 All communications from SODRAC to a pay audio programming undertaking shall be sent to the last address and facsimile number provided by that pay audio programming undertaking to SODRAC in writing.

11.3 A communication or notice may be delivered by hand, by postage paid mail or by facsimile. A payment must be delivered by hand or by postage paid mail.

11.4 All communications, notices or payments mailed in Canada shall be presumed to have been received three business days after the day they were mailed. All communications or notices sent by facsimile shall be presumed to have been received the day they were transmitted.

10. Ajustements

L'ajustement dans le montant des redevances payables (y compris le trop-perçu), qu'il résulte ou non de la découverte d'une erreur, s'effectue à la date à laquelle le prochain versement doit être acquitté.

11. Transmission des avis et des paiements

11.1 Tout avis destiné à la SODRAC est expédié à l'attention de SODRAC 2003 inc. au 759, Carré Victoria, Bureau 420, Montréal (Québec) H2Y 2J7, numéro de télécopieur (514) 845-3401 ou à toute adresse ou numéro de télécopieur dont l'entreprise de programmation sonore payante aura été avisée par écrit. Tout paiement est expédié à l'ordre de SODRAC 2003 inc. au 759, Carré Victoria, Bureau 420, Montréal (Québec) H2Y 2J7.

11.2 Toute communication de la SODRAC à une entreprise de programmation sonore payante est expédiée à la dernière adresse et au dernier numéro de télécopieur fournis par écrit à la SODRAC par l'entreprise de programmation sonore payante.

11.3 Un avis ou une communication peut être transmis par messenger, par courrier préaffranchi ou par télécopieur. Un paiement doit être envoyé par messenger ou par courrier préaffranchi.

11.4 Toute communication, tout avis ou tout paiement posté au Canada est présumé avoir été reçu trois jours ouvrables après la date de mise à la poste. Tout avis envoyé par télécopieur est présumé avoir été reçu le jour où il est transmis.

Supplement
Canada Gazette, Part I
May 1, 2004



Supplément
Gazette du Canada, Partie I
Le 1^{er} mai 2004

COPYRIGHT BOARD

**COMMISSION DU DROIT
D'AUTEUR**

**Statement of Proposed Royalties to Be
Collected by CMRRA/SODRAC Inc. for
the Reproduction of Musical Works,
in Canada, for the Years 2005 to 2007**

**Projet de tarif des redevances à percevoir
par la CMRRA/SODRAC Inc. pour la
reproduction d'œuvres musicales, au
Canada, pour les années 2005 à 2007**

Commercial Radio Stations
(2005)

Stations de radio commerciales
(2005)

Online Music Services
(2005-2007)

Services de musique en ligne
(2005-2007)

COPYRIGHT BOARD

FILE: Reproduction of Musical Works 2005 to 2007

Statement of Proposed Royalties to Be Collected for the Reproduction of Musical Works, in Canada, for the Years 2005 to 2007

In accordance with section 70.14 and subsection 67.1(5) of the *Copyright Act*, the Copyright Board hereby publishes the statement of royalties filed by CMRRA/SODRAC Inc. (CSI) on March 31, 2004, on behalf of the *Société du droit de reproduction des auteurs, compositeurs et éditeurs du Canada* (SODRAC), SODRAC 2003 Inc. and the Canadian Musical Reproduction Rights Agency (CMRRA), with respect to royalties that it proposes to collect, effective on January 1, 2005, for the reproduction of musical works, in Canada, by commercial radio stations, and by online music services.

In accordance with the provisions of the same section and subsection, the Board hereby gives notice that prospective users or their representatives who wish to object to the statement may file written objections with the Board, at the address indicated below, within 60 days of the publication hereof, that is no later than June 30, 2004.

Ottawa, May 1, 2004

CLAUDE MAJEAU

Secretary General

56 Sparks Street, Suite 800

Ottawa, Ontario

K1A 0C9

(613) 952-8621 (telephone)

(613) 952-8630 (facsimile)

majeau.claude@cb-cda.gc.ca (electronic mail)**COMMISSION DU DROIT D'AUTEUR**

DOSSIER : Reproduction d'œuvres musicales 2005 à 2007

Projet de tarif des redevances à percevoir pour la reproduction d'œuvres musicales, au Canada, pour les années 2005 à 2007

Conformément à l'article 70.14 et au paragraphe 67.1(5) de la *Loi sur le droit d'auteur*, la Commission du droit d'auteur publie le projet de tarif que CMRRA/SODRAC Inc. (CSI) a déposé auprès d'elle le 31 mars 2004, pour le bénéfice de la Société du droit de reproduction des auteurs, compositeurs et éditeurs au Canada (SODRAC), SODRAC 2003 Inc. et l'Agence canadienne des droits de reproduction musicaux (CMRRA), relativement aux redevances qu'elle propose de percevoir, à compter du 1^{er} janvier 2005, pour la reproduction d'œuvres musicales, au Canada, par les stations de radio commerciales, et par les services de musique en ligne.

Conformément aux dispositions du même article et paragraphe, la Commission donne avis, par les présentes, que tout utilisateur éventuel intéressé, ou son représentant, désirant s'opposer au projet de tarif doit déposer son opposition auprès de la Commission, par écrit, à l'adresse apparaissant ci-dessous, dans les 60 jours de la présente publication, soit au plus tard le 30 juin 2004.

Ottawa, le 1^{er} mai 2004*Le secrétaire général*

CLAUDE MAJEAU

56, rue Sparks, Bureau 800

Ottawa (Ontario)

K1A 0C9

(613) 952-8621 (téléphone)

(613) 952-8630 (télécopieur)

majeau.claude@cb-cda.gc.ca (courrier électronique)

STATEMENT OF PROPOSED ROYALTIES TO BE COLLECTED BY CMRRA/SODRAC INC., ON BEHALF OF THE SOCIÉTÉ DU DROIT DE REPRODUCTION DES AUTEURS, COMPOSITEURS ET ÉDITEURS DU CANADA (SODRAC) INC. AND SODRAC 2003 INC. (HEREINAFTER JOINTLY "SODRAC") AND THE CANADIAN MUSICAL REPRODUCTION RIGHTS AGENCY (CMRRA), FOR THE REPRODUCTION OF MUSICAL WORKS IN THE REPERTOIRE OF SODRAC OR CMRRA BY COMMERCIAL RADIO STATIONS IN 2005

PROJET DE TARIF DES REDEVANCES À PERCEVOIR PAR LA CMRRA/SODRAC INC. POUR LE BÉNÉFICE DE LA SOCIÉTÉ DU DROIT DE REPRODUCTION DES AUTEURS, COMPOSITEURS ET ÉDITEURS AU CANADA (SODRAC) INC. ET DE SODRAC 2003 INC. (CI-APRÈS CONJOINTEMENT « LA SODRAC ») ET DE L'AGENCE CANADIENNE DES DROITS DE REPRODUCTION MUSICAUX (CMRRA), POUR LA REPRODUCTION, AU CANADA, DES ŒUVRES MUSICALES FAISANT PARTIE DU RÉPERTOIRE DE LA SODRAC OU DE LA CMRRA, PAR LES STATIONS DE RADIO COMMERCIALES EN 2005

General Provisions

All royalties payable under this tariff are exclusive of any federal, provincial or other governmental taxes or levies of any kind.

Each licence shall subsist according to the terms set out therein. CMRRA/SODRAC Inc. shall have the right at any time to terminate a licence for breach of terms and conditions upon 30 days notice in writing.

Definitions

1. In this tariff

"gross income" means the gross amount paid by any person for the use of one or more broadcasting services or facilities provided by the radio station's operator, excluding the following:

(a) income accruing from investments, rents or any other business unrelated to the radio station's broadcasting activities. However, income accruing from any allied or subsidiary business that is a necessary adjunct to the radio station's broadcasting services and facilities or which results in their being used shall be included in the "gross income;"

(b) amounts received for the production of a program that is commissioned by someone other than the radio station and which becomes the property of that other person;

(c) the recovery of any amount paid to obtain the exclusive national or provincial broadcast rights to a sporting event, if the radio station can establish that it was also paid normal fees for station time and facilities. CMRRA/SODRAC Inc. may require the production of the contract granting these rights together with the billing or correspondence relating to the use of these rights by other parties;

(d) amounts received by an originating radio station on behalf of a group of radio stations, which do not constitute a permanent network and which broadcast a single event, simultaneously or on a delayed basis, that the originating radio station subsequently pays out to the other radio stations participating in the broadcast. These amounts paid to each participating radio station are part of that radio station's "gross income;" (« *revenus bruts* »)

"low-use station" means

(a) a station that

(i) broadcasts works in the repertoire for less than 20 per cent of its total broadcast time (excluding production music) during the reference month and

(ii) keeps and makes available to CMRRA/SODRAC Inc. complete recordings of its last 90 broadcast days; or

(b) a station that

(i) during the reference month, does not make or keep any reproduction onto a computer hard disk;

(ii) during the reference month, does not use any reproduction kept onto the hard disk of another station within a network; and

Dispositions générales

Les redevances exigibles en vertu du présent tarif ne comprennent ni les taxes fédérales, provinciales ou autres, ni les prélèvements d'autre genre qui pourraient s'appliquer.

Chaque licence reste valable en fonction des conditions qui y sont énoncées. CMRRA/SODRAC Inc. peut, en tout temps, mettre fin à toute licence sur préavis écrit de 30 jours pour violation des modalités de la licence.

Définitions

1. Les définitions qui suivent s'appliquent au présent tarif.

« année » Année civile; (*year*)

« mois de référence » Mois antérieur au mois qui précède celui pour lequel les redevances sont versées; (*reference month*)

« musique de production » Musique incorporée notamment aux messages publicitaires, aux messages d'intérêt public et aux ritournelles; (*production music*)

« répertoire » Répertoires de la SODRAC et de la CMRRA; (*repertoire*)

« réseau » Réseau tel qu'il est défini dans le *Règlement sur la désignation de réseaux (Loi sur le droit d'auteur)* DORS/99-348; (*network*)

« revenus bruts » s'entend des sommes brutes payées par toute personne pour l'utilisation d'une ou de plusieurs installations ou services de diffusion offerts par la station de radio, à l'exclusion des sommes suivantes :

a) les revenus provenant d'investissements, de loyers ou d'autres sources non reliées aux activités de diffusion de la station de radio. Il est entendu que les revenus provenant d'activités reliées ou associées aux activités de diffusion de la station de radio, qui en sont le complément nécessaire, ou ayant comme conséquence l'utilisation des services et installations de diffusion, font partie des « revenus bruts »;

b) les sommes versées pour la réalisation d'une émission pour le compte d'une personne autre que la station de radio et dont cette autre personne devient propriétaire;

c) les sommes reçues en recouvrement du coût d'acquisition de droits exclusifs, nationaux ou provinciaux, de diffusion d'événements sportifs, dans la mesure où la station de radio établit qu'elle a aussi perçu des revenus normaux pour l'utilisation du temps d'antenne et des installations de la station de radio. CMRRA/SODRAC inc. aura le droit d'exiger la production du contrat d'acquisition de ces droits, ainsi que des factures ou autres documents se rattachant à l'usage de ces droits par des tiers;

d) les sommes reçues par une station de radio source agissant pour le compte d'un groupe de stations de radio qui ne constituent pas un réseau permanent et qui diffusent, simultanément ou en différé, un événement particulier, que la station de radio source remet ensuite aux autres stations de radio participant à la diffusion. Les sommes ainsi remises à chaque station de

(iii) agrees to allow CMRRA/SODRAC Inc. to verify the conditions set out in subparagraphs (i) and (ii) and does so allow when requested; (« station à faible utilisation »)

“network” means a network within the meaning of the *Regulations Prescribing Networks (Copyright Act)*, SOR/99-348; (« réseau »)

“production music” means music used in interstitial programming such as commercials, public service announcements and jingles; (« musique de production »)

“reference month” means the second month before the month for which the royalties are being paid; (« mois de référence »)

“repertoire” means the repertoire of SODRAC and CMRRA; (« répertoire »)

“year” means a calendar year. (« année »)

Application

2. This tariff applies to licences for the following uses of musical works in the repertoire by commercial radio stations:

(a) the reproduction of a work, in whole or in part, by any known or to be discovered process, in any format or material form, by a commercial radio station for the purpose of using the reproduction in the broadcasting operations of the station or of another station that is part of the same network as the station;

(b) the embodiment of a work in a montage, a compilation, a mix or a medley, for the purpose set out in paragraph (a) and subject to the moral rights of authors; and

(c) the keeping of reproductions made pursuant to paragraphs (a) or (b), so long as the station is licensed pursuant to this tariff.

3. This tariff does not authorize the use of a reproduction made pursuant to section 2, in association with a product, service, cause or institution.

Royalties

4. A low-use station shall pay, on its gross income for the reference month

0.12 per cent of the station’s first \$625,000 gross income in a year;

0.23 per cent of the station’s next \$625,000 gross income in a year;

0.35 per cent of any other amount of gross income in a year.

5. Any other station shall pay, on its gross income for the reference month

0.27 per cent of the station’s first \$625,000 gross income in a year;

0.53 per cent of the station’s next \$625,000 gross income in a year;

0.8 per cent of any other amount of gross income in a year.

Administrative Provisions

6. No later than the first day of each month, the station shall pay the royalties for that month and report the station’s gross income for the reference month.

Information on Repertoire Use

7. (1) Upon receipt of a written request from CMRRA/SODRAC Inc., a station shall provide to CMRRA/SODRAC Inc., with respect to all musical works broadcast by the station during the days selected by CMRRA/SODRAC Inc.

(a) the date and time of broadcast; and

radio participante font partie des « revenus bruts » de cette station de radio participante; (*gross income*)

« station à faible utilisation » Soit

a) une station ayant diffusé des œuvres faisant partie du répertoire pour moins de 20 pour cent de son temps d’antenne total (sans tenir compte de la musique de production) durant le mois de référence et qui conserve et met à la disposition de la CMRRA/SODRAC Inc. l’enregistrement complet de ses 90 dernières journées de radiodiffusion; ou

b) une station qui n’a ni effectué ou conservé de reproductions sur un disque dur ni utilisé de reproductions conservées sur le disque dur d’une station faisant partie d’un réseau durant le mois de référence, qui permet à la CMRRA/SODRAC inc. de vérifier le respect de la présente disposition et qui permet effectivement telle vérification sur demande. (*low-use station*)

Application

2. Le présent tarif régit les licences permettant les utilisations suivantes des œuvres musicales faisant partie du répertoire par des stations de radio commerciales :

a) reproduction, en tout ou en partie, d’une œuvre par tout procédé connu ou à découvrir, sur un support quelconque, afin de l’utiliser dans le cadre des activités de radiodiffusion de la station ou d’une autre station faisant partie du même réseau;

b) incorporation dans un montage, une compilation, un mixage ou un pot-pourri, pour les fins visées au paragraphe a) et sous réserve des droits moraux des auteurs;

c) conservation des reproductions faites conformément aux paragraphes a) ou b) tant et aussi longtemps que la station est titulaire d’une licence régie par le présent tarif.

3. Le présent tarif n’autorise pas l’utilisation d’une reproduction faite en vertu du paragraphe 2, en liaison avec un produit, un service, une cause ou une institution.

Redevances

4. Une station à faible utilisation verse, à l’égard de son revenu brut durant le mois de référence

0,12 pour cent sur la première tranche de 625 000 \$ de revenus bruts annuels;

0,23 pour cent sur la tranche suivante de 625 000 \$ de revenus bruts annuels;

0,35 pour cent sur l’excédent de revenus bruts annuels.

5. Toute autre station verse, à l’égard de son revenu brut durant le mois de référence

0,27 pour cent sur la première tranche de 625 000 \$ de revenus bruts annuels;

0,53 pour cent sur la tranche suivante de 625 000 \$ de revenus bruts annuels;

0,8 pour cent sur l’excédent de revenus bruts annuels.

Dispositions administratives

6. Au plus tard le premier de chaque mois, la station verse les redevances payables pour ce mois et fait rapport de ses revenus pour le mois de référence.

Renseignements sur l’utilisation du répertoire

7. (1) Sur demande écrite de la CMRRA/SODRAC Inc., la station lui fournit les renseignements suivants à l’égard de toutes les œuvres musicales qu’elle a diffusées durant les jours choisis par la CMRRA/SODRAC Inc. :

a) la date et l’heure de la diffusion;

(b) where applicable, the title of the work, the name of the author, the name of the composer, the name of the performer and/or performing group, the record label, and the catalogue number of the sound recording.

(2) The information shall be provided in electronic format where possible, otherwise in writing, no later than 14 days after the end of the month to which it relates.

(3) CMRRA/SODRAC Inc. may request information pursuant to subsection (1) with respect to no more than 14 days in any given year.

Records and Audits

8. (1) The station shall keep and preserve, for a period of six months after the end of the month to which they relate, records from which the information set out in section 7 can be readily ascertained.

(2) The station shall keep and preserve, for a period of six years after the end of the year to which they relate, records from which the station's gross income can be readily ascertained.

(3) CMRRA/SODRAC Inc. may audit these records at any time during the period set out in subsection (1) or (2), as well as the broadcast day recordings of a low-use station, on reasonable notice and during normal business hours.

(4) If an audit discloses that royalties due have been understated in any month by more than ten per cent, the station shall pay the reasonable costs of the audit within 30 days of the demand for such payment.

Confidentiality

9. (1) Subject to subsections (2) and (3), CMRRA/SODRAC Inc., SODRAC and CMRRA shall treat in confidence information received pursuant to this tariff, unless the station consents in writing to the information being treated otherwise.

- (2) Information referred to in subsection (1) may be shared
- (i) amongst CMRRA/SODRAC Inc., SODRAC and CMRRA;
 - (ii) with the Copyright Board;
 - (iii) in connection with proceedings before the Board;
 - (iv) to the extent required to effect the distribution of royalties, with royalty claimants; or
 - (v) if ordered by law or by a court of law.

(3) Subsection (1) does not apply to information that is publicly available, or to information obtained from someone other than the station, who is not under an apparent duty of confidentiality to the station.

Adjustments

10. Adjustments in the amount of royalties owed (including excess payments), as a result of the discovery of an error or otherwise, shall be made on the date the next royalty payment is due.

Interest on Late Payments

11. Any amount not received by the due date shall bear interest from that date until the date the amount is received. Interest shall be calculated daily at a rate equal to one per cent above the Bank Rate effective on the last day of the previous month (as published by the Bank of Canada). Interest shall not compound.

b) le cas échéant, le titre de l'œuvre, le nom de l'auteur, celui du compositeur, celui de l'interprète ou du groupe d'interprètes, celui de la maison de disque et le numéro de catalogue de l'enregistrement sonore.

(2) La station fournit les renseignements au plus tard 14 jours après la fin du mois auquel ils se rapportent, si possible sous forme numérique et sinon, par écrit.

(3) La CMRRA/SODRAC Inc. peut demander les renseignements prévus au paragraphe (1) à l'égard d'au plus 14 jours par année.

Registres et vérifications

8. (1) La station tient et conserve durant six mois après la fin du mois auquel ils se rapportent, les registres permettant à la CMRRA/SODRAC Inc. de déterminer facilement les renseignements demandés au titre de l'article 7.

(2) La station tient et conserve durant six années après la fin de l'année à laquelle ils se rapportent, les registres permettant à la CMRRA/SODRAC Inc. de déterminer facilement ses recettes publicitaires.

(3) La CMRRA/SODRAC Inc. peut vérifier ces registres à tout moment durant la période visée au paragraphe (1) ou (2), de même que l'enregistrement des journées de radiodiffusion d'une station à faible utilisation, durant les heures régulières de bureau et moyennant un préavis raisonnable.

(4) Si la vérification des registres d'une station révèle que les redevances ont été sous-estimées de plus de dix pour cent pour un mois quelconque, la station assume les coûts raisonnables de la vérification dans les 30 jours suivant la date à laquelle on lui en fait la demande.

Traitement confidentiel

9. (1) Sous réserve des paragraphes (2) et (3), la CMRRA/SODRAC Inc., la SODRAC et la CMRRA gardent confidentiels les renseignements transmis en application du présent tarif, à moins que la station ne consente par écrit à ce qu'ils soient divulgués.

- (2) La CMRRA/SODRAC Inc., la SODRAC et la CMRRA peuvent faire part des renseignements visés au paragraphe (1)
- (i) à l'une d'entre elles;
 - (ii) à la Commission du droit d'auteur;
 - (iii) dans le cadre d'une affaire portée devant la Commission;
 - (iv) à une personne qui demande le versement de redevances, dans la mesure où cela est nécessaire pour effectuer la distribution; ou
 - (v) si la loi ou une ordonnance d'un tribunal l'y oblige.

(3) Le paragraphe (1) ne s'applique pas aux renseignements disponibles au public ou obtenus d'un tiers non tenu lui-même de garder confidentiels ces renseignements.

Ajustements

10. L'ajustement dans le montant des redevances payables par une station (y compris le trop-perçu), qu'il résulte ou non de la découverte d'une erreur, s'effectue à la date à laquelle elle doit acquitter son prochain versement.

Intérêts sur paiements tardifs

11. Tout montant non payé à son échéance porte intérêt à compter de la date à laquelle il aurait dû être acquitté jusqu'à la date où il est reçu. Le montant des intérêts est calculé quotidiennement, à un taux de un pour cent au-dessus du taux officiel d'escompte de la Banque du Canada en vigueur le dernier jour du

Addresses for Notices, etc.

12. (1) Anything that a station sends to CMRRA/SODRAC Inc. shall be sent to 759 Carré Victoria, Suite 420, Montréal, Quebec H2Y 2J7, or to any other address or facsimile number of which the station has been notified.

(2) Anything that CMRRA/SODRAC Inc. sends to a station shall be sent to the last address of which CMRRA/SODRAC Inc. has been notified in writing.

Delivery of Notices and Payments

13. (1) A notice may be delivered by hand, by postage paid mail or by facsimile.

(2) A notice or payment mailed in Canada shall be presumed to have been received three business days after the day it was mailed.

(3) A notice sent by facsimile shall be presumed to have been received the day it is transmitted

mois précédent (tel qu'il est publié par la Banque du Canada). L'intérêt n'est pas composé.

Adresses pour les avis, etc.

12. (1) Toute communication avec la CMRRA/SODRAC Inc. est adressée au 759, Carré Victoria, Bureau 420, Montréal (Québec) H2Y 2J7 ou à toute autre adresse ou numéro de télécopieur dont la station a été avisée.

(2) Toute communication de la CMRRA/SODRAC Inc. avec une station est adressée à la dernière adresse dont la CMRRA/SODRAC Inc. a été avisée par écrit.

Expédition des avis et des paiements

13. (1) Un avis peut être livré par messenger, par courrier affranchi ou par télécopieur.

(2) L'avis ou le paiement posté au Canada est présumé avoir été reçu trois jours ouvrables après la date de mise à la poste.

(3) L'avis envoyé par télécopieur est présumé avoir été reçu le jour où il est transmis.

STATEMENT OF ROYALTIES TO BE COLLECTED BY CMRRA/SODRAC INC. ON BEHALF OF THE SOCIÉTÉ DU DROIT DE REPRODUCTION DES AUTEURS, COMPOSITEURS ET ÉDITEURS AU CANADA (SODRAC) INC. AND SODRAC 2003 INC. (HEREINAFTER JOINTLY "SODRAC") AND THE CANADIAN MUSICAL REPRODUCTION RIGHTS AGENCY (CMRRA), FOR THE REPRODUCTION OF MUSICAL WORKS IN THE REPERTOIRE OF SODRAC OR CMRRA BY ONLINE MUSIC SERVICES, IN CANADA, IN 2005, 2006 AND 2007

This tariff may be cited as the CMRRA/SODRAC Online Music Services Tariff, 2005-2007.

General Provisions

All royalties payable under this tariff are exclusive of any federal, provincial or other governmental taxes or levies of any kind.

Each licence shall subsist according to the terms set out therein. CMRRA/SODRAC Inc. shall have the right at any time to terminate a licence for breach of terms and conditions upon 30 days notice in writing.

Definitions

1. In this tariff, the following expressions shall have the following meaning:

"Act" (« *Loi* ») means the *Copyright Act*, R.S.C. 1985, c. C-42;

"authorized distributor" (« *distributeur autorisé* ») means any person that has entered into an agreement with a licensee permitting the distribution of the licensee's service through said person, provided that the licensee at all times during the term of the licence controls the content on its service (including the musical works available as part of the service);

"distribution" and "distribute" (« *distribution* » — « *distribuer* »), as the context requires, mean any digital transmission via the Internet or other similar computer network made by the licensee or its authorized distributor to a user authorized to receive streams or downloads from the licensee or its authorized distributor;

"download" (« *téléchargement* ») means the reception of a digital transmission of a musical work embodied in a sound recording, other than a stream, that results in the creation of a digital copy of the musical work embodied in a sound recording on a user's local storage device (including, but not limited to, the hard drive of the user's computer or a recordable medium whether or not embedded in a portable device). Unless the context requires otherwise, further reference to "download" shall include "limited download" and "permanent download;"

"gross revenue" (« *revenus bruts* ») means all revenues received by the online music service or, where the service is distributed by an authorized distributor, by the authorized distributor, in connection with the products and services that are subject to the licence covered by this tariff. Such revenues include amounts received from advertisers or other parties to a promotional campaign as well as amounts equivalent to the value of any contra and barter agreements related to the provision of the online music service, but excludes any revenues from investments, rents or any other business unrelated to the online music service's music distribution activities;

"licensee" (« *licencié* ») means an online music service authorized pursuant to this tariff to perform the acts enumerated in section 2(1);

"limited download" (« *téléchargement limité* ») means a download that occurs using technology designed to cause the

TARIF DES REDEVANCES À PERCEVOIR PAR CMRRA/SODRAC INC. POUR LE BÉNÉFICE DE LA SOCIÉTÉ DU DROIT DE REPRODUCTION DES AUTEURS, COMPOSITEURS ET ÉDITEURS AU CANADA (SODRAC) INC. ET DE SODRAC 2003 INC. (CI-APRÈS CONJOINTEMENT « LA SODRAC ») ET DE L'AGENCE CANADIENNE DES DROITS DE REPRODUCTION (CMRRA) POUR LA REPRODUCTION, AU CANADA, DES ŒUVRES MUSICALES FAISANT PARTIE DU RÉPERTOIRE DE LA SODRAC OU DE LA CMRRA PAR LES SERVICES DE MUSIQUE EN LIGNE EN 2005, 2006 ET 2007

Titre abrégé : Tarif CMRRA/SODRAC pour les services de musique en ligne, 2005-2007.

Dispositions générales

Les redevances exigibles en vertu du présent tarif ne comprennent ni les taxes fédérales, provinciales ou autres, ni les prélèvements d'autre genre qui pourraient s'appliquer.

Chaque licence reste valable en fonction des conditions qui y sont énoncées. CMRRA/SODRAC Inc. peut, en tout temps, mettre fin à toute licence sur préavis écrit de 30 jours pour violation des modalités de la licence.

Définitions

1. Les dispositions qui suivent s'appliquent au présent tarif :

« distributeur autorisé » (« *authorized distributor* ») Toute personne ayant conclu une entente avec un licencié, permettant à cette personne de faire la distribution des services du licencié, sous réserve que le licencié contrôle, en tout temps pendant la durée de la licence, le contenu offert par l'entremise de son service (y compris les œuvres musicales qui font partie de ce service);

« distribution » et « distribuer » (« *distribution* » — « *distribute* ») Selon le contexte, toute transmission numérique par l'entremise d'Internet ou d'un autre réseau informatique semblable, effectuée par le licencié ou son distributeur autorisé, à un utilisateur autorisé à recevoir des transmissions provenant du licencié ou de son distributeur autorisé, ou à procéder à des téléchargements provenant du licencié ou de son distributeur autorisé;

« licencié » (« *licensee* ») Service de musique en ligne autorisé en vertu du présent tarif à accomplir les actes énumérés à l'article 2(1);

« Loi » (« *Act* ») *Loi sur le droit d'auteur*, S.R.C. 1985, c. C-42;

« mois de référence » (« *reference month* ») Mois antérieur au mois qui précède celui pour lequel les redevances sont versées;

« redevances » (« *royalty* ») Somme payable à CMRRA/SODRAC Inc. par un licencié en vertu du présent tarif;

« répertoire » (« *repertoire* ») Toute œuvre musicale pour laquelle CMRRA/SODRAC Inc. peut accorder des licences en vertu du présent tarif;

« reproduire » (« *reproduce* ») Effectuer une reproduction;

« reproduction » (« *reproduction* ») Fixation matérielle d'une œuvre musicale faisant partie du répertoire, par tout procédé analogue, numérique, connu ou à être découvert, sur tout support audio et sous tout format ou forme matérielle, y compris la fixation matérielle dans la mémoire vive (RAM) ou sur le disque dur d'un ordinateur, et la fixation matérielle dans la mémoire vive (RAM) ou sur le disque dur d'un ordinateur en un lieu éloigné;

« revenus bruts » (« *gross revenue* ») Toutes sommes reçues par le service de musique en ligne ou, lorsque le service est distribué par un distributeur autorisé, par le distributeur autorisé, en liaison avec les produits et services assujettis à la licence décrite dans le présent tarif. Ces revenus comprennent les sommes provenant

downloaded musical work embodied in a sound recording to be available for listening only for a limited time or for a limited number of times, not to exceed twelve (12), after the expiry of the user's subscription and that cannot be reproduced further on other recordable media;

“permanent download” (« *téléchargement permanent* ») means a download that is not a limited download or that may be reproduced further on other recordable media;

“on-demand stream” (« *transmission sur demande* ») means a stream of one or more musical works embodied in sound recordings selected by the user that may be listened to at a time chosen by the user;

“online music service” (« *service de musique en ligne* ») means a service that authorizes users, as defined in this tariff, to receive streams or to download sound recordings embodying musical works in the repertoire and to reproduce such musical works for their private use only; and excludes any service that offers only non-interactive streams of musical works embodied in sound recordings;

“non-interactive stream” (« *transmission non interactive* ») means a stream of a series of musical works embodied in sound recordings selected by the transmitter of the stream and that can only be listened to at a time chosen by the transmitter;

“reference month” (« *mois de référence* ») means the second month before the month for which the royalties are being paid;

“repertoire” (« *répertoire* ») means all musical works for which CMRRA/SODRAC Inc. may grant a licence to reproduce;

“reproduce” (« *reproduire* ») means the act of effecting a reproduction;

“reproduction” (« *reproduction* ») means the fixation of a musical work in the repertoire by any analog, digital, known or to be discovered process, on any recording medium in any format or material form, including the fixation on the random access memory (RAM) or hard-disk of a computer and the fixation on the random access memory (RAM) or hard-disk of a computer at a remote location;

“royalty” (« *redevance* ») means any amount payable by a licensee to CMRRA/SODRAC Inc. pursuant to this tariff;

“stream” (« *transmission* ») means a digital transmission of a musical work embodied in a sound recording that is designed so as not to result in a reproduction of a musical work embodied in a sound recording being made on a local storage device (e.g. the hard drive of the user's computer or a recordable medium whether or not embedded in a portable device) which reproduction could be available for listening other than at substantially the same time as the original transmission. Unless the context requires otherwise, further reference to “stream” shall include both “on-demand streams” and “non-interactive streams;”

“user” (« *utilisateur* ») means an individual in Canada that receives streams of musical works or that downloads musical works from and through the facilities of a licensee or an authorized distributor, regardless of whether such individual pays any fee or consideration in exchange for such receipt.

Application

2. (1) This tariff sets the royalties to be paid by online music services for the licence to

(a) reproduce all musical works in the repertoire, in whole or in part, for the purposes of using such reproductions in the

d'annonceurs publicitaires ou d'autres parties à une campagne publicitaire, ainsi que les sommes équivalant à la valeur de toutes ententes de troc et de publicité compensée relatives à la fourniture du service de musique en ligne, mais ne comprennent pas les revenus provenant d'investissements, les revenus de location ou tout autre revenu n'étant pas lié aux activités de distribution de musique du service de musique en ligne;

« service de musique en ligne » (“*online music service*”) Service qui octroie aux utilisateurs (tel que cette expression est définie dans le présent tarif) une licence leur permettant de recevoir des transmissions ou de télécharger des enregistrements sonores constitués d'œuvres musicales faisant partie du répertoire et de reproduire ces œuvres musicales pour leur usage privé seulement. Est exclu de la présente définition tout service n'offrant que des transmissions non interactives d'œuvres musicales incorporées à des enregistrements sonores;

« téléchargement » (“*download*”) Réception d'une transmission numérique d'œuvre musicale fixée sur un enregistrement sonore (autre qu'une « transmission » tel que ce terme est défini dans le présent tarif) occasionnant la création d'un exemplaire numérique de l'œuvre musicale incorporée à un enregistrement sonore sur la mémoire locale (y compris, mais sans y être limité, le disque dur de l'ordinateur de l'utilisateur ou un support, que celui-ci soit ou non intégré dans un appareil portatif). Sauf lorsque autrement dicté par le contexte, le terme « téléchargement » inclut le « téléchargement limité » et le « téléchargement permanent »;

« téléchargement limité » (“*limited download*”) Téléchargement résultant de l'usage d'une technologie destinée à faire en sorte que l'œuvre musicale incorporée à un enregistrement sonore téléchargée ne puisse être écoutée que pendant une période de temps limitée, ou un maximum de fois ne pouvant dépasser douze (12), suivant la fin de l'abonnement de l'utilisateur, et ne pouvant être reproduite sur d'autres supports par la suite;

« téléchargement permanent » (“*permanent download*”) Téléchargement qui n'est pas limité, ou qui peut être reproduit sur d'autres supports;

« transmission » (“*stream*”) Transmission numérique d'une œuvre musicale incorporée à un enregistrement sonore, n'étant pas destinée à générer une reproduction de cette œuvre musicale sur une mémoire locale (par exemple, sur le disque dur de l'ordinateur de l'utilisateur ou un support, que celui-ci soit ou non intégré dans un appareil portatif), laquelle reproduction pourrait être disponible pour écoute à un moment différent de celui approximatif de la transmission originale. Sauf lorsque autrement dicté par le contexte, le terme « transmission » inclut la « transmission sur demande » et la « transmission non interactive »;

« transmission sur demande » (“*on-demand stream*”) Transmission d'une ou de plusieurs œuvres musicales incorporées à des enregistrements sonores, choisies par l'utilisateur, pouvant être écoutées au moment choisi par l'utilisateur;

« transmission non interactive » (“*non-interactive stream*”) Transmission d'une série d'œuvres musicales incorporées à des enregistrements sonores, choisies par le transmetteur et ne pouvant être écoutées qu'au moment déterminé par le transmetteur;

« utilisateur » (“*user*”) Individu qui, au Canada, reçoit des transmissions d'œuvres musicales à partir et par l'entremise d'un licencié ou d'un distributeur autorisé ou qui télécharge des œuvres musicales à partir et par l'entremise d'un licencié ou d'un distributeur autorisé, peu importe que cet individu ait des frais ou une contrepartie à payer en échange de cette réception.

Application

2. (1) Le présent tarif détermine les redevances payables par des services de musique en ligne en échange d'une licence leur permettant :

streaming of musical works to users or in the transmission of musical works to users for the purposes of effecting a download; and

(b) authorize users of the online music service to reproduce musical works in the repertoire, in whole or in part, for their own private use.

(2) Nothing in this tariff licenses an online music service to authorize users of its service to do any of the acts reserved by the Act to copyright owners, other than those acts enumerated in paragraph 2(1)(b) of the tariff; and an online music service shall use all technical and other means available to it to ensure that the reproductions made by a user are exclusively for that user's private use.

(3) Nothing in this tariff authorizes an online music service or any user of such service to reproduce a musical work in the repertoire for the purposes of creating a montage, a compilation, a mix or a medley, or to create any derivative works based in whole or in part on the musical works in the repertoire.

(4) Nothing in this tariff authorizes an online music service to reproduce a musical work in the repertoire in association with a product, service, cause or institution.

Royalties

3. An online music service shall pay, for the reference month for a subscription service that offers on-demand streams, and that does not offer limited downloads: the greater of 7.5 per cent of the gross revenue attributable to its service or \$0.75 (seventy-five cents) per subscriber;

for a subscription service that offers limited downloads, whether or not the online music service also offers on-demand streams: the greater of 10 per cent of the gross revenue attributable to its service, excluding any amounts derived from providing such subscribers with access to permanent downloads, or \$1.00 (one dollar) per subscriber;

for permanent downloads: the greater of 15 per cent of the gross revenue attributable to permanent downloads or \$0.10 (ten cents) per permanent download of a single musical work embodied in a sound recording.

Dates of Payment

4. No later than the first day of each month, the online music service shall pay to CMRRA/SODRAC Inc. the royalties due for the reference month.

Reporting Requirements

5. (1) An online music service that makes a payment shall provide with each monthly payment of royalties for the relevant period

(a) the number of subscribers to the online music service, where applicable, who were authorized, either directly or by an authorized distributor, to receive on-demand streams of musical works in the repertoire and the gross subscription revenue received from such subscribers;

a) de reproduire la totalité ou une partie de toute œuvre musicale faisant partie du répertoire, dans le but de se servir de cette reproduction pour la transmission d'œuvres musicales aux utilisateurs ou pour la mise à la disposition d'œuvres musicales à des utilisateurs dans le but qu'un téléchargement soit effectué; et

b) d'autoriser les utilisateurs du service de musique en ligne à reproduire, en totalité ou en partie, des œuvres musicales faisant partie du répertoire, pour l'usage privé de ces utilisateurs.

(2) Sous réserve des actes énumérés à l'alinéa 2(1)b), le présent tarif ne devra en aucun cas être interprété comme octroyant à un service de musique en ligne une licence lui permettant d'autoriser les utilisateurs de son service à accomplir l'un quelconque des actes qu'en vertu de la Loi seuls les titulaires de droits d'auteur ont la faculté d'accomplir, et un service de musique en ligne prendra tous les moyens, techniques et autres, à sa disposition pour s'assurer que les reproductions faites par un utilisateur sont destinées exclusivement à l'usage privé de cet utilisateur.

(3) Le présent tarif n'autorise aucunement la reproduction, par un service de musique en ligne ou par l'un quelconque des utilisateurs de ce service, d'une œuvre musicale faisant partie du répertoire dans le but de créer un montage, une compilation, un mixage ou un pot-pourri, ou encore de créer une œuvre ou un produit dérivés, en tout ou en partie, d'une œuvre musicale faisant partie du répertoire.

(4) Le présent tarif n'autorise aucunement la reproduction, par un service de musique en ligne, d'une œuvre musicale faisant partie du répertoire, pour usage en liaison avec un produit, un service, une cause ou une institution.

Redevances

3. Un service de musique en ligne verse, pour le mois de référence :

pour un service par abonnement qui offre des transmissions sur demande et qui n'offre pas le téléchargement limité : le montant le plus élevé entre 7,5 pour cent des revenus bruts provenant de son service et 0,75 \$ (soixante-quinze cents) par abonné;

pour un service par abonnement qui offre le téléchargement limité, peu importe que le service de musique en ligne offre aussi des transmissions sur demande : le montant le plus élevé entre 10 pour cent des revenus bruts provenant de son service, à l'exclusion des sommes provenant de la fourniture d'accès à des téléchargements permanents, et 1,00 \$ (un dollar) par abonné;

pour le téléchargement permanent : le montant le plus élevé entre 15 pour cent des revenus bruts provenant des téléchargements permanents et 0,10 \$ (dix cents) par téléchargement permanent d'une seule œuvre musicale incorporée à un enregistrement sonore.

Dates des paiements

4. Au plus tard le premier de chaque mois, le service de musique en ligne verse à CMRRA/SODRAC Inc. les redevances payables pour le mois de référence.

Exigences de rapport

5. (1) Chaque paiement mensuel de redevances par un service de musique en ligne doit être accompagné des renseignements suivants pour la période visée :

a) le nombre d'abonnés du service de musique en ligne, s'il y a lieu, qui étaient autorisés, soit directement ou par un distributeur autorisé, à recevoir des transmissions sur demande d'œuvres musicales dans le répertoire, ainsi que les revenus bruts provenant des sommes versées par ces abonnés;

(b) for all musical works provided as on-demand streams to subscribers, and for on-demand streams of musical works in the repertoire, the title and author(s) of each such musical work, the performer(s) of the musical work, the catalogue number (or other identifying number) of the sound recording, and the number of on-demand streams of each musical work received by subscribers;

(c) the number of subscribers, where applicable, who were authorized by the online music service or by an authorized distributor, to receive limited downloads and the gross subscription revenue received from such subscribers, to the extent that such subscription revenue is incremental to that reported in response to (a) above;

(d) for all musical works received by subscribers as limited downloads, and for all musical works in the repertoire received as limited downloads, the title and author(s) of each such musical work, the performer(s) of the musical work, the catalogue number (or other identifying number) of the sound recording and the number of limited downloads of each musical work received by subscribers;

(e) for all musical works received by users as permanent downloads, and for musical works in the repertoire received as permanent downloads, the title and author(s) of each such work, the performer(s) of the musical work, the catalogue number (or other identifying number) of the sound recording, the number of permanent downloads of each such musical work received by users and the amount(s) paid by users for each download of each musical work, including a report of the number of permanent downloads, if any, for which no payment was made.

(2) The information shall be provided in electronic format, no later than 14 days after the end of the month to which it relates.

(3) An online music service shall also provide to CMRRA/SODRAC Inc., with each monthly payment of royalties under this tariff, a list containing the names and addresses of its authorized distributor(s) during the reference month.

Records and Audits

6. (1) The online music service shall keep and preserve, for a period of six years after the end of the month to which they relate, records from which the information set out in section 5 can be readily ascertained, and where the service is made available through an authorized distributor, shall ensure that any records of an authorized distributor relevant and necessary to the provision of the information set out in section 5 are retained for the same period and that CMRRA/SODRAC Inc. will be able to audit it under the terms and conditions set out in subsection 6(2).

(2) CMRRA/SODRAC Inc. may audit these records at any time during the period set out in subsection (1) or (2) on reasonable notice and during normal business hours.

(3) If an audit discloses that royalties due have been understated in any month by more than ten per cent, the online music service shall pay the reasonable costs of the audit within 30 days of the demand for such payment.

Confidentiality

7. (1) Subject to subsections (2) and (3), CMRRA/SODRAC Inc., SODRAC and CMRRA shall treat in confidence information

b) pour chacune des œuvres musicales fournies sous forme de transmissions sur demande, ainsi que pour les transmissions sur demande d'œuvres musicales faisant partie du répertoire, le titre et le ou les auteur(s) de l'œuvre musicale, le ou les interprète(s) de l'œuvre musicale, le numéro de catalogue (ou un autre numéro d'identification) de l'enregistrement sonore, et, pour chaque œuvre musicale, le nombre de transmissions sur demande reçues par des abonnés;

c) le nombre d'abonnés, s'il y a lieu, qui ont été autorisés, par le service de musique en ligne ou par un distributeur autorisé, à recevoir des téléchargements limités et les revenus bruts provenant des sommes versées par ces abonnés, dans la mesure où ces revenus d'abonnement sont distincts de ceux rapportés en vertu de l'alinéa a) ci-dessus;

d) pour chacune des œuvres musicales reçues par des abonnés sous forme de téléchargements limités, ainsi que pour toutes les œuvres musicales faisant partie du répertoire et ayant été reçues sous forme de téléchargement limité, le titre et le ou les auteur(s) de l'œuvre musicale, le ou les interprète(s) de l'œuvre musicale, le numéro de catalogue (ou un autre numéro d'identification) de l'enregistrement sonore, et, pour chaque œuvre musicale, le nombre de téléchargements limités reçus par des abonnés;

e) pour chacune des œuvres musicales reçues par des abonnés sous forme de téléchargements permanents, ainsi que pour toutes les œuvres musicales faisant partie du répertoire et ayant été reçues sous forme de téléchargements permanents, le titre et le ou les auteur(s) de l'œuvre musicale, le ou les interprète(s) de l'œuvre musicale, le numéro de catalogue (ou un autre numéro d'identification) de l'enregistrement sonore, et, pour chaque œuvre musicale, le nombre de téléchargements permanents reçus par des abonnés.

(2) Les renseignements sont fournis sous forme numérique au plus tard 14 jours après la fin du mois auquel ils se rapportent.

(3) Chaque paiement mensuel de redevances par un service de musique en ligne en vertu du présent tarif est également accompagné d'une liste contenant les noms et adresses du ou des distributeur(s) autorisé(s) du service de musique en ligne pendant le mois de référence.

Registres et vérifications

6. (1) Le service de musique en ligne tient et conserve durant six ans après la fin du mois auquel ils se rapportent, les registres permettant à CMRRA/SODRAC Inc. de déterminer facilement les renseignements demandés au titre de l'article 5 et, lorsque le service est fourni par l'entremise d'un distributeur autorisé, s'assure que tous registres d'un distributeur autorisé pertinents à la fourniture des renseignements énumérés à l'article 5 sont conservés pour la même période et que CMRRA/SODRAC Inc. pourra y accéder selon les conditions du paragraphe 6(2).

(2) CMRRA/SODRAC Inc. peut vérifier ces registres à tout moment durant la période visée au paragraphe (1) ou (2) durant les heures régulières de bureau et moyennant un préavis raisonnable.

(3) Si la vérification des registres d'un service de musique en ligne révèle que les redevances ont été sous-estimées de plus de dix pour cent pour un mois quelconque, le service de musique en ligne assume les coûts raisonnables de la vérification dans les 30 jours suivant la date à laquelle on lui en fait la demande.

Traitement confidentiel

7. (1) Sous réserve des paragraphes (2) et (3), CMRRA/SODRAC Inc., la SODRAC et la CMRRA gardent confidentiels

received pursuant to this tariff, unless the online music service consents in writing to the information being treated otherwise.

- (2) Information referred to in subsection (1) may be shared
- (i) amongst CMRRA/SODRAC Inc., SODRAC and CMRRA;
 - (ii) with the Copyright Board;
 - (iii) in connection with proceedings before the Board;
 - (iv) to the extent required to effect the distribution of royalties, with royalty claimants; or
 - (v) if ordered by law or by a court of law.

(3) Subsection (1) does not apply to information that is publicly available, or to information obtained from someone other than the online music service, who is not under an apparent duty of confidentiality to the online music service.

Adjustments

8. Adjustments in the amount of royalties owed (including excess payments), as a result of the discovery of an error or otherwise, shall be made on the date the next royalty payment is due.

Interest on Late Payments

9. (1) Any amount not received by the due date shall bear interest from that date until the date the amount is received. Interest shall be calculated daily at a rate equal to one per cent above the Bank Rate effective on the last day of the previous month (as published by the Bank of Canada). Interest shall not compound.

(2) Royalties found to be owing through an audit shall bear the same interest from the date they were due until the date they are received.

Addresses for Notices, etc.

10. (1) Anything that an online music service sends to CMRRA/SODRAC Inc. shall be sent to 759 Carré Victoria, Suite 420, Montréal, Quebec H2Y 2J7, or to any other address or facsimile number of which the online music service has been notified.

(2) Anything that CMRRA/SODRAC Inc. sends to an online music service shall be sent to the last address of which CMRRA/SODRAC Inc. has been notified in writing.

Delivery of Notices and Payments

11. (1) A notice may be delivered by hand, by postage paid mail or by facsimile.

(2) A notice or payment mailed in Canada shall be presumed to have been received three business days after the day it was mailed.

(3) A notice sent by facsimile shall be presumed to have been received the day it is transmitted.

les renseignements qui leur sont transmis en application du présent tarif, à moins que le service de musique en ligne ne consente par écrit à ce qu'ils soient divulgués.

(2) CMRRA/SODRAC Inc., la SODRAC et la CMRRA peuvent faire part des renseignements visés au paragraphe (1)

- (i) à l'une d'entre elles;
- (ii) à la Commission du droit d'auteur;
- (iii) à toute personne, dans le cadre d'une affaire portée devant la Commission;
- (iv) à une personne qui demande le versement de redevances, dans la mesure où cela est nécessaire pour effectuer la distribution; ou
- (v) si la loi ou une ordonnance d'un tribunal les y oblige.

(3) Le paragraphe (1) ne s'applique pas aux renseignements disponibles au public ou obtenus d'un tiers non tenu lui-même de garder confidentiels ces renseignements.

Ajustements

8. L'ajustement dans le montant des redevances payables par un service de musique en ligne (y compris le trop-perçu), qu'il résulte ou non de la découverte d'une erreur, s'effectue à la date à laquelle il doit acquitter son prochain versement.

Intérêts sur paiements tardifs

9. (1) Tout montant non payé à son échéance porte intérêt à compter de la date à laquelle il aurait dû être acquitté jusqu'à la date où il est reçu. Le montant des intérêts est calculé quotidiennement, à un taux de un pour cent au-dessus du taux officiel d'escompte de la Banque du Canada en vigueur le dernier jour du mois précédent (tel qu'il est publié par la Banque du Canada). L'intérêt n'est pas composé.

(2) Les redevances dont on découvre qu'elles sont dues par l'entremise d'une vérification portent le même intérêt, de la date à laquelle elles auraient dû être acquittées jusqu'à la date où elles sont reçues.

Adresses pour les avis, etc.

10. (1) Toute communication avec CMRRA/SODRAC Inc. est adressée au 759, Carré Victoria, Bureau 420, Montréal (Québec) H2Y 2J7 ou à toute autre adresse ou numéro de télécopieur dont le service de musique en ligne a été avisé.

(2) Toute communication de CMRRA/SODRAC Inc. avec un service de musique en ligne est adressée à la dernière adresse dont CMRRA/SODRAC Inc. a été avisée par écrit.

Expédition des avis et des paiements

11. (1) Un avis peut être livré par messenger, par courrier affranchi ou par télécopieur.

(2) L'avis ou le paiement posté au Canada est présumé avoir été reçu trois jours ouvrables après la date de mise à la poste.

(3) L'avis envoyé par télécopieur est présumé avoir été reçu le jour où il est transmis.



If undelivered, return COVER ONLY to:
Government of Canada Publications
Public Works and Government Services
Canada
Ottawa, Canada K1A 1M4

En cas de non-livraison,
retourner cette COUVERTURE SEULEMENT à :
Publications du gouvernement du Canada
Travaux publics et Services gouvernementaux
Canada
Ottawa, Canada K1A 1M4